



www.go2jd.com

线路金具
FITTINGS FOR LINE



www.go2jd.com

线路金具
FITTINGS FOR LINE

 江东金具设备有限公司
JIANGDONG FITTINGS EQUIPMENT CO.,LTD.

地址：中国南通如东河口工业园区
电话：(0513)84885149、84885200
传真：(0513)84885150
[Http://www.chinaztt.com](http://www.chinaztt.com)
[Http://www.go2jd.com](http://www.go2jd.com)
E-mail:madxg@chinaztt.com

江东金具设备有限公司
JIANGDONG FITTINGS EQUIPMENT CO.,LTD.

REFERENCE LIST OF INTERNATIONAL MARKET

Beginning from 1995 Jiangdong Fittings Equipment Co.Ltd. is a manufacturer and supplier of electrical fittings and communication accessories.

Products

- Fittings for outdoor and indoor substations
 - Bimetallic clamp
 - Clamps for HVDC-substations
- Fittings for high and medium voltage grids
 - Overhead line fittings for insulator strings
 - Special fittings (heat-resistant and for up-rating conductors)
- Fittings for fiber optic overhead cables
 - Suspension fittings
 - Tension fittings
 - Vibration dampers
- Communication accessories
 - Joint box for fiber optic overhead cables and submarine cables

Quality and qualifications

- ISO9001:2000
- Test reports of
 - Kinectrics International Inc.(Canada)
 - Wuhan High Voltage Research Institute of State Grid Corporation China
 - Beijing power construction and research Institute of State Grid Corporation China
 - Electrical power line accessories quality inspection center of electric power industry

Engineering services

- Vibration analysis and monitoring
- Tensile testing
- Fibre optic cable testing
- Heat cycle testing
- Mechanical tension
- Rockwell hardness
- Metallic coating

References

- More than 40 countries
- More than 50,000 kilometers
- Voltage reaches to 1000kV
 - 110kV / 150kV / 220kV / 330kV / 500kV / 750kV / ± 800kV / 1000kV

企业简介

江东金具设备有限公司创建于1995年，专业设计生产电力金具、通信设备产品，如扩容导线耐热金具系列、线路金具系列、变电金具系列、预绞式金具系列产品。

公司产品通过中国电力科学研究院、上海电缆所、加拿大 Kinectrics International Inc.实验室、武汉高压研究所、泰尔等权威机构的检测及入网许可证、生产许可证。公司于2008年在南通成立了特种线缆金具研究所，拥有博士1名，研究生3名，其它专职研究人员10人，并在工厂建立了实验室，配备了国内先进的检测、试验仪器设备，建有一个模拟试验场地及输电线路，旨在将输电线路产品做得更新、更精、更便捷、更可靠。

公司金具产品广泛应用于全国各省、自治区、直辖市及各地市的通信、电力输电线路工程及国际市场，已有超过40000公里的成功运行业绩。2007年预绞式金具相继成功应用于国内的1000kV特高压交流、±800kV特高压直流试验基地；西北多条750kV输电线路工程；2008年5月，公司自主研发生产的OPPC金具及接头盒研制成功并通过中电联组织的专家鉴定，成为国内该类产品第一家通过鉴定的企业；2008年7月江东金具继续潜心研究开发出了耐热合金材料和特殊工艺，成功研制生产出了耐热导线金具系列，并通过中电联组织的权威鉴定，填补了国内高温金具的空白；2009年12月江东金具积极响应国家开展的“两型三新”输电线路建设成功研制出用于直流±800kV、±660kV地线金具及导线预绞式悬垂、防振锤产品，并通过中电联组织的权威鉴定。公司成套金具产品已经出口多个国家，在110kV、220kV、500kV输变电线路均有多年运行业绩。

公司始终坚持为用户提供安全可靠、快捷周到的售后服务，以顾客满意为企业发展的源动力。今天的江东更加注重技术创新，以精良的生产设备、专业的研发团队、精细化的管理平台为依托，以全国各省、自治区及直辖市的办事处为联络点，以“更快、更专、更高”的服务宗旨满足于广大用户！

江东服务电网 电网信赖江东



企业资质

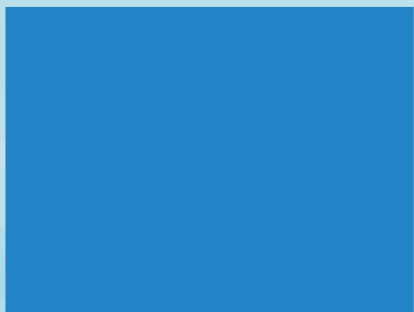
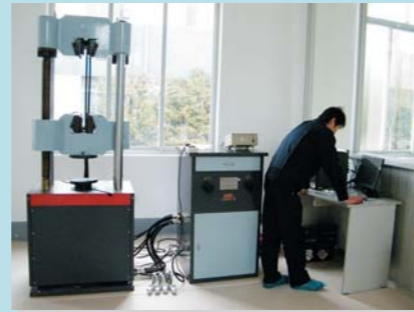
生产设备

公司拥有20000多平方米的标准厂房和200多名员工，拥有精技加工中心、数控机床、压铸设备、绞丝成型机、冲压床、注塑机、数控切割等生产设备。



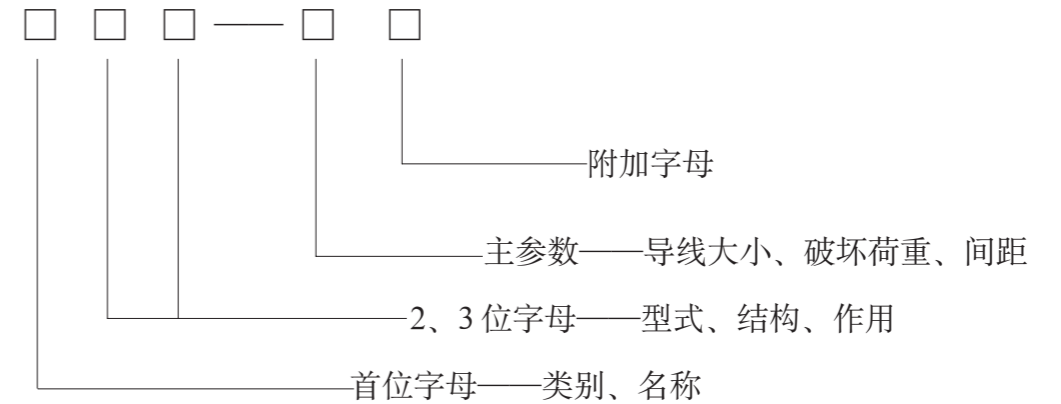
新品开发及检测

2008年公司成立了特种金具研究所，以研究输电线路技术为主要方向，开发各类输变配套金具。建立了一所专用实验室并设立模拟试验场地，专供试验研究使用，积极响应国网“两型三新”的精神，致力于新材料、新技术和新工艺在输电线路中的研究和应用。



说 明

1. 样本内容编排是按照产品类型和用途，分为悬垂线夹、耐张线夹、联结金具、接续金具、保护金具、拉线金具等八类。按产品的结构和作用每类又分成若干系列。
2. 产品型号由汉语拼音字母、阿拉伯数字和附加字母组成，其意义为：



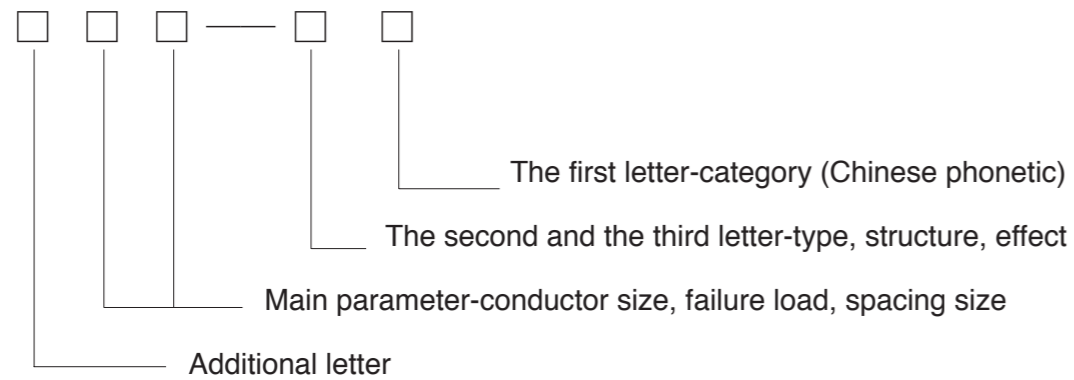
3. 压缩型耐张线夹、接续管等，本样本只给出压接管外径和适用导线规格或型号，导线参数见附录。
4. 悬垂线夹、并沟线夹、防振锤等适用导线直径含导线包缠物。
5. 本样本没有收录的金具产品，用户可提供相应的设计使用参数，我厂将按用户的要求进行设计、制造。
6. 螺栓型金具，其螺栓拧紧力矩推荐值如下表：(Q235 钢)

螺栓直径(mm)	8	10	12	14	16	18	20
拧紧力矩(N·m)	13	22	36	50	65	83	105

7. 本样本所列金具产品技术条件执行 GB2314-2008《电力金具通用技术条件》、IEC61284、IEC61897 及其他相关标准。

COMMENTS

1. According to the type and application this catalog includes eight parts: suspension clamp, strain clamp, link fitting, splicing fitting, protective fitting, grounding fitting and bundle fittings.
2. Illustration of Part number of fittings in this catalog.



3. For compression strain clamp and splicing sleeves we provide the out diameter of them and the conductor they applied to. Please refer to the appendix for the conductor parameter.
4. The clamping diameter range of suspension clamp, parallel clamp and vibration damper includes the wrappage, such as aluminum tape, armor rods and etc.
5. If the fittings you need are not in this catalog, we can design and manufacture them also according to your specifications.
6. Installation torque of the bolts in this catalog are recommended as following(mild steel)

Bolt diameter(mm)	8	10	12	14	16	18	20
Torque (N·m)	13	22	36	50	65	83	105

7. The technical specifications of the products in the catalogue are in accordance with Chinese Standard GB2314-2008、IEC Standard 61284、61897 and other relevant standards.

目录 Contents

一、	悬垂线夹	
	SUSPENSION CLAMP	
1.	悬垂线夹(中心回转式)	
	Suspension Clamps (Turning Type)	1
2.	悬垂线夹(带碗头挂板)	
	Suspension Clamps (With Socket-Clevis)	1
3.	悬垂线夹(带U型挂板)	
	Suspension Clamps (With U Clevis)	2
4.	悬垂线夹(耐磨型)	
	Suspension Clamps (Abrasion-proof Type)	2
5.	悬垂线夹(挂板型)	
	Suspension Clamp (With Clevis)	3
6.	悬垂线夹(XGJ、CGJ型)	
	Suspension Clamps (Type XGJ、CGJ)	4
7.	悬垂线夹(大跨越用)	
	Suspension Clamps (For Large Span)	5
8.	悬垂线夹(铝合金、提包式)	
	Aluminium Alloy Suspension Clamps (Envelope Type)	6
9.	悬垂线夹(下垂式)	
	Suspension Clamps (Hang-down Type)	7
10.	悬垂线夹(上扛式)	
	Suspension Clamps (Carried-up Type)	8
11.	悬垂线夹(500kV 高海拔线路用)	
	Suspension Clamps (For 500kV and High altitude)	8
12.	悬垂线夹(XFZ型)	
	Suspension Clamps (Type XFZ)	9
13.	悬垂线夹(XGZ、CGZ型)	
	Suspension Clamps (Type XGZ、CGZ)	10
14.	悬垂线夹(双导线跳线用)	
	Suspension Clamps for Twin Jumper Conductors	10
15.	悬垂线夹(双导线用)	
	Suspension Clamps for Twin Conductors	10
16.	悬垂线夹(双导线用、节能型)	
	Aluminium Alloy Suspension Clamps for Twin Conductors	11
17.	跳线悬垂线夹	
	Suspension Clamps for Jumper Conductors	12
18.	跳线悬垂线夹(阻尼型)	
	Suspension Clamps for Jumper Conductors	13
19.	跳线悬垂线夹	
	Suspension Clamps for Jumper Conductors	13
20.	悬垂线夹(塔顶支承线夹)	
	Suspension Clamp (Tower Top Clamp & Bracket)	14
21.	预绞丝悬垂线夹(AGS型)	
	Armour-Grip Suspension Clamp (AGS Type)	15
二、	耐张线夹	
	STRAIN CLAMP	

1.	耐张线夹 (螺栓型)	
	Strain Clamps (Bolt Type)	16
2.	铝合金耐张线夹 (螺栓型)	
	Aluminium Alloy Strain Clamps (Bolt Type)	16
3.	绝缘导线用耐张线夹 (10kV 线路用)	
	Strain Clamps for Insulated Cable	17
4.	耐张线夹 (液压型)	
	Strain Clamps (Hydraulic Compression Type)	17
5.	耐张线夹 (液压型、钢锚整锻)	
	Strain Clamps (Hydraulic Compression Type, Anchor Forged)	19
6.	耐张线夹 (爆压型)	
	Strain Clamps (Explosive Compression Type)	20
7.	钢绞线用耐张线夹 (液压型)	
	Strain Clamps for Steel Wire (Hydraulic Compression Type)	21
8.	铝包钢芯铝绞线用耐张线夹 (液压型)	
	Strain Clamps For Acsr/As Conductor (Hydraulic Compression Type)	23
9.	铝包钢绞线用耐张线夹 (液压型)	
	Strain Clamps for AS. Stranded Wire (Hydraulic Compression Type)	24
10.	钢芯铝合金绞线用耐张线夹 (液压型)	
	Strain Clamps for AACSR (Hydraulic Compression Type)	25
11.	耐热铝合金绞线用耐张线夹 (液压型)	
	Strain Clamps for HRAAS Conductor (Hydraulic CompressionType)	26
12.	铝合金绞线用耐张线夹 (液压型)	
	Strain Clamps for LHAJ (Hydraulic Compression Type)	27
13.	耐张线夹 (压缩型)	
	Compression Dead-End Clamp	28
14.	集束型导线楔型耐张线夹	
	Wedge Type Dead End Clamp	29
15.	楔型耐张线夹	
	Wedge Type Dead End Clamp	29
16.	铝合金耐张线夹 (直线型)	
	Aluminium alloy Strain Clamp (Straight line type)	30

三、 联结金具

LINK FITTING

1.	球头挂环 (Q、QP 型)	
	Ball Eyes (Type Q、QP)	31
2.	球头挂环 (QH 型)	
	Ball Eyes (Type QH)	32
3.	球头挂环 (环孔平行型)	
	Ball Eyes (Parallel Type)	32
4.	球头挂环	
	Ball Eye (Horn holder type)	33
5.	球头挂板	
	Ball Eyes	33
6.	U 型球头	
	U Type Ball Eyes	34
7.	球头挂板	
	Ball Clevis	35

8.	球头钩	
	Ball Hooks	35
9.	碗头挂板 (W 型)	
	Socket Eyes (Type W)	36
10.	碗头挂板 (带孔 W 型)	
	Socket Eyes (With Hole Type W)	36
11.	碗头心形环	
	Socket Thimble	37
12.	碗头挂板 (WS 型)	
	Socket Clevises (Type WS)	38
13.	碗头挂板 (装均压屏蔽环型)	
	Socket Clevises (Elongated Type WS)	39
14.	U 型挂环	
	Shackles	40
15.	扭转挂环	
	Twisted Shackle	42
16.	加强型 U 型挂环	
	Strengthened Shackles	42
17.	拉线 U 型挂环 (UL 型)	
	Long Shackles	43
18.	V 型挂环	
	Vee Shackle	43
19.	直角挂环 (ZH 型)	
	Eye Links (Type ZH)	44
20.	延长环 (环体整锻 PH 型)	
	Extensive Links (Link Body Whole-forged)	44
21.	延长拉杆 (YLP 型)	
	Extension Rods (Type YLP)	45
22.	延长拉杆 (YL 型)	
	Extension Rods (Type YL)	46
23.	平行挂板 (PD 型)	
	Double Straps (Type PD)	47
24.	挂板 (Z 型)	
	Clevises (Type Z)	48
25.	挂板 (ZS 型)	
	Clevis Tongues (Type ZS)	49
26.	挂板 (ZBD 型)	
	Clevis Tongues (Type ZBD)	49
27.	挂板 (ZBS 型)	
	Clevises Tongues (Type ZBS)	50
28.	挂板 (P 型)	
	Double Straps (Type P)	50
29.	挂板 (PS 型)	
	Clevises (Type PS)	52
30.	挂板 (V、VD、YD 型)	
	Clevis Eyes (Type V、VD、YD)	53
31.	V 型挂板	
	Twisted Strap	53
32.	挂板	
	Clevis Eye	54

33.	挂板 (UB 型) Clevis Hinges (Type UB)	54
34.	联塔挂板 (LT、EB 型) Tower-connecting Hinges (Type LT、EB)	56
35.	联塔联板 (NPT 型) Tower-connecting Fittings (Type NPT)	57
36.	联塔联板(NPTS 型) Tower-connecting Fittings (Type NPTS)	58
37.	耳轴挂板 (GD 型) Clevis Hings (Type GD)	59
38.	牵引板 Towing Plates	60
39.	调整板 (PT 型) Adjuster plates (Type PT)	61
40.	调整板 (DB 型) Adjuster Plates (Type DB)	62
41.	延长拉板 Extension Link	63
42.	联板 (L、LT、LZ 型) Yoke Plates (Type L、LT、LZ)	64
43.	联板 (LF 型) Yoke Plates (Type LF)	68
44.	联板 (LJ 型) Yoke plates (Type LJ)	68
45.	联板 (LS 型) Yoke Plates (Type LS)	69
46.	联板 (LL 型) Yoke Plates (Type LL)	70
47.	联板 (LK 型) Yoke Plates (Type LK)	71
48.	联板 (LX 型) Yoke Plates (Type LX)	72
49.	联板 (LXV 型) Yoke Plates (Type LXV)	73
50.	联板 (500kV 六分裂紧凑型) Yoke Plates (For 500kV Six-Conductor Compact Lines)	74
51.	调平联板 (SP 型) Horizon-adjusting Plates (Type SP)	76
52.	调平联板 (LTP 型) Horizon-adjusting Plates (Type LTP)	77
53.	避雷线悬垂吊架 Ground Wire Hangers	77
54.	U 型螺丝 U-bolts	78
55.	支撑架 (ZCJ 型) Support Brackets (ZCJ)	79
56.	花兰螺丝 (LH2 型) Turnbuckle (Type LH2)	79
57.	花兰螺丝 (LH 型) Turnbuckle (Type LH)	80

四、	接续金具	
	SPLICING FITTING	
1.	接续管 (钢绞线用) Splicing Sleeves for Steel Wire	81
2.	接续管 (钢绞线用, 爆压搭接) Splicing Sleeves for Steel Wire (Explosive Overlap Joint)	81
3.	接续管 (铝绞线用) Splicing Sleeves for Aluminium Conductor	82
4.	接续管 (10kV 线路用) Splicing Sleeves for Insulated Overhead Cable	82
5.	接续管 (钢芯铝绞线用) Splicing Sleeves for ACSR Conductor	83
6.	接续管 (钢芯铝绞线用, 爆压搭接) Splicing Sleeves for ACSR Conductor (Explosive Overlap Joint)	83
7.	接续管 (钢芯铝绞线用, 液压搭接) Splicing sleeves for ACSR Conductor (Hydraulic Overlap Joint)	84
8.	接续管 (铝包钢绞线用) Splicing Sleeves for AS. Stranded Wire	85
9.	接续管 (耐热导线用, 搭接) Splicing Sleeves for HRAAS. Stranded Wire (Overlap Joint)	85
10.	接续管 (耐热导线用) Splicing Sleeves for HRAAS. Stranded Wire	86
11.	接续管 (铝包钢芯铝绞线用, 搭接) Splicing Sleeves for ACSR/AS. Stranded Wire (Overlap Joint)	86
12.	接续管 (铝包钢芯铝绞线用) Splicing Sleeves for ACSR/AS. Stranded Wire	87
13.	接续管 (铝包钢芯铝绞线用, 爆压搭接) Splicing Sleeves for ACSR/AS. Stranded Wire (Explosive Overlap Joint)	87
14.	接续管 (钢芯铝合金导线用) Splicing Sleeves for AACRS Stranded Wire	88
15.	接续管 (钢芯铝合金导线用, 搭接) Splicing Sleeves for AACRS Stranded Wire (Overlap Joint)	89
16.	接续管 (铝线用, 钳压) Splicing Sleeves for Aluminium Conductor (Compression with Pliers)	89
17.	接续管 (钢芯铝绞线用, 钳压) Splicing Sleeves for ACSR Conductor (Compression with Pliers)	90
18.	接续管 (钢芯铝绞线用, 爆压) Splicing Sleeves for ACSR Conductor (Explosive Overlap Joint)	91
19.	补修管 (钢芯铝绞线用) Repair Sleeves for ACSR Conductor	92
20.	补修管 (钢绞线用) Repair Sleeves for Steel Wire	93
21.	并沟线夹 (钢绞线用) Parallel groove Clamps for Steel Wire	93
22.	并沟线夹 (铝绞线、钢芯铝绞线用) Parallel Clamps for AAC & ACSR Conductor	94
23.	并沟线夹 (耐热铝合金导线用) Parallel Clamps for Heat-resistant Aluminium Alloy Conductor	94
24.	并沟线夹 (JBG 型) Parallel Clamps (Type JBG)	95

25.	预绞丝补修条 Preformed Armour Rods for Conductor Repair	96
26.	跳线线夹 Jumper Connectors	97
27.	C型铜接线夹(压缩型) C-Shape Copper Wire Clamp (Compression Type)	98
28.	C型铝线夹(压缩型) C-Shape Aluminium Wire Clamp (Compression Type)	98
五、保护金具		
PROTECTIVE FITTING		
1.	防振锤(FD、FG型) Dampers (Type FD、FG)	99
2.	防振锤(FF型) Dampers (Type FF)	99
3.	防振锤(FR型) Dampers (Type FR)	100
4.	防振锤(FDB型) Stockbridge Vibration Damper (type FDB)	100
5.	双分裂间隔棒(FJQ型) Spacers (Type FJQ)	101
6.	双分裂间隔棒(FJZ型双导线用) Spacer-Dampers (Type FJZ for Double Conductors)	101
7.	双分裂阻尼间隔棒(FZJ2型) Spacer Damper (type FZJ2)	102
8.	间隔棒(FFJQ型) Spacers (Type FFJQ)	102
9.	间隔棒(500kV跳线用) Spacers for 500kV Line Jumper Conductor	103
10.	间隔棒(三分裂导线用) Spacer Damper for Three-Bundle Conductor	103
11.	间隔棒(500kV跳线用) Spacers for Jumper Conductor (For 500kV Lines)	104
12.	十字型阻尼间隔棒(500kV线路用) Cross Type Spacer Damper (For 500kV Lines)	105
13.	方框型阻尼间隔棒(500kV线路用) Square Frame Type Spacer Damper (For 500kV Lines)	106
14.	矩型阻尼间隔棒(500kV线路用) Rectangular Frame Type Spacer Damper (For 500kV Lines)	107
15.	防舞间隔棒(500kV线路用) Spacer Damper for Preventing Vibration (For 500kV Lines)	108
16.	预绞丝阻尼间隔棒(500kV线路用) Armor-grip Spacer Damper (For 500kV Lines)	109
17.	三分裂阻尼间隔棒(330kV紧凑型线路用) Spacers-dampers for Three-bundle Conductor (For 330kV Compact Lines)	109
18.	四分裂阻尼间隔棒(330kV紧凑型线路用) Spacers-dampers for Four-bundle Conductor (For 330kV Compact Lines)	110
19.	六分裂间隔棒(500kV紧凑型线路用) Spacer Damper for Six-bundle Conductor (For 500kV Compact Lines)	110
20.	六分裂间隔棒(750kV线路用) Spacer Damper for Six-bundle Conductor (For 750kV Lines)	111

21.	预绞丝护线条 Preformed armour rods	112
22.	铝包带 Aluminium Tape	114
23.	悬重锤及其附件 Counter Weight Assembles	114
24.	重锤片 Counter Weight Pieces	115
25.	均压屏蔽环 Grading & Shielding Rings	116
26.	均压屏蔽环(330kV线路用) Grading & Shielding Rings for 330kV Line	119
六、拉线金具		
GUY WIRE FITTING		
1.	楔型线夹 Wedge Clamps	122
2.	UT型线夹(可调式) UT Wedge Clamps (Adjustable Type)	122
3.	UT型线夹(不可调式) UT Wedge Clamps (Non-adjustable Type)	123
4.	拉线U型挂环(UL型) Shackles	123
5.	平行挂板(PD型) Double Straps (Type PD)	124
6.	钢线卡子 Guy Clips	124
7.	双拉线用联板(LV型) Yoke Plates for Double Guy Wires	125
8.	压接式NLY型线夹(可调式) Type NLY Strain Clamps of Compression Joint (Adjustable Type)	126
9.	螺扣式拉杆 Turnbuckle Stay Rod	127
10.	心环挂板 Thimble Clevis	127
11.	虎头拉杆 Anchor Rod	127
七、接地金具		
GROUNDING FITTINGS		
1.	接地棒线夹 Grounding Clamp	128
2.	接地棒 Grounding Rod	128
八、绑线金具		
BUNDLE FITTINGS		
1.	绝缘子侧部绑线 Side Tie	129

2.	绝缘子顶部绑线 Distribution Tie	130
3.	D型板 D-Bracket	131
4.	地线吊架 Ground Wire Support	132
5.	拉线杆 Stay Rod	132
6.	拉线杆 Eye Bolt With Thimble	132
7.	双环螺母 Twin Eye Nut	133
8.	带环螺母 Oval Eye Nut	133
附录 1.	单导线单联耐张串 Single Tension String for One Conductor	134
附录 2.	单导线双联耐张串 Double Tension Strings for One Conductor	134
附录 3.	双分裂导线双联耐张串 Double Tension Strings for Two-Bundle Conductor	135
附录 4.	四分裂导线双联耐张串 Double Tension Strings for Four-Bundle Conductor	135
附录 5.	四分裂导线双联双挂点耐张串 Double Hanging-point Double Strain Strings for Four-Bundle Conductor	136
附录 6.	双分裂导线单联悬垂串 Single Suspension String for Two-Bundle Conductor	136
附录 7.	双分裂导线单联悬垂串 (水平排列) Single Suspension String for Two-Bundle Conductor	137
附录 8.	四分裂导线单联悬垂串 (上扛联板) Single Suspension String for Four-Bundle Conductor (Using Yoke Plate with Type LK)	137
附录 9.	四分裂导线单联悬垂串 (小人联板) Single Suspension String for Four-Bundle Conductor (Using Yoke Plate with Type LX)	138
附录 10.	四分裂导线单联悬垂串 (组合联板) Single Suspension String for Four-Bundle Conductor (Using Combined Yoke Plate)	138
附录 11.	四分裂导线双联悬垂串 Double Suspension String for Four-Bundle Conductor	139
附录 12.	四分裂导线双联悬垂串 (防晕线夹) Double Suspension String for Four-Bundle Conductor (Corona-proof Clamp)	139
附录 13.	500kV 六分裂导线双联耐张串 (紧凑型) Two Strain Strings for Six-Conductor (For 500kV Compact Lines)	140
附录 14.	500kV 六分裂导线 V 型串 (紧凑型) Six Conductor-Single V-Strings (For 500kV Compact Lines)	140
附录 15.	750kV 六分裂导线四联耐张串图 Four Strain Strings for Six-Conductor (For 750kV Lines)	141
附录 16.	750kV 六分裂导线悬垂双 I 串图 Double Suspension String for Six-Bundle Conductor (For 750kV Lines)	141
附录 17.	钢芯铝绞线(LGJ.LGJF)的结构与技术指标 GB1179-83 Structure and Technical Index for ASCR(LGJ.LGJF):GB1179-83	142
附录 18.	镀锌钢绞线的结构与技术指标 YB/T5004-93 Structure and Technical Index for Galvanized Steel Strand:YB/T5004-93	143
附录 19.	镀锌钢绞线(GJ)的结构与技术指标 GB1200-75 Structure and Technical Index for Galvanized Steel Strand:GB1200-75	144
附录 20.	(防腐)58% (60%) IACS 耐铝铝合金钢芯绞线结构与技术指标 (NRLH58GJ、NRLH60GJ、NRLH58GJF、NRLH60GJF 型) Table of Technological of IACS(Type NRLH58GJ、NRLH60GJ、NRLH58GJF、NRLH60GJF)	145

一、悬垂线夹

SUSPENSION CLAMP

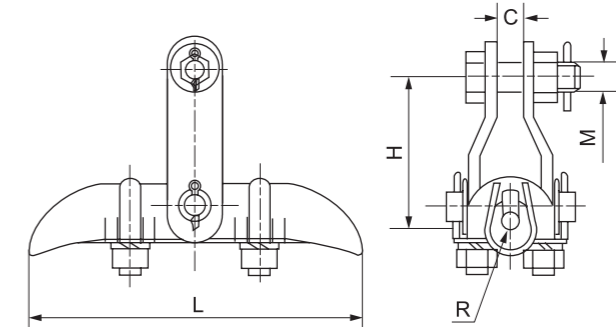
1. 悬垂线夹 (中心回转式)

Suspension Clamps (Turning Type)

型号 Catalog No.	适用绞线直径 (含包缠物) Conductor Dia.(mm)	主要尺寸 Dimensions (mm)					破坏荷重 Rated Failure Load (kN)	重量 Weight (kg)
		H	L	R	C	M		
XGU-1	5.0~7.0	82	180	4.0	18	16	40	1.4
XGU-2	7.1~13.0	82	200	7.0	18	16	40	1.8
XGU-3	13.1~21.0	102	220	11.0	18	16	40	2.0
XGU-4	21.1~26.0	110	250	13.5	18	16	40	3.0
XGU-6C	34.0~45.0	118	350	23.0	48	18	77	7.9
XGU-7C	45.0~48.7	121	350	26.0	48	24	77	8.9

线夹本体和压板为可锻铸铁件，闭口销为不锈钢制件，其余为钢制件。除闭口销外热镀锌。

The clamp body and keepers are malleable iron, cotter-pins are stainless steel, the other parts are steel. except lotter-pins, All ferrous parts are hot-dip galvanized.



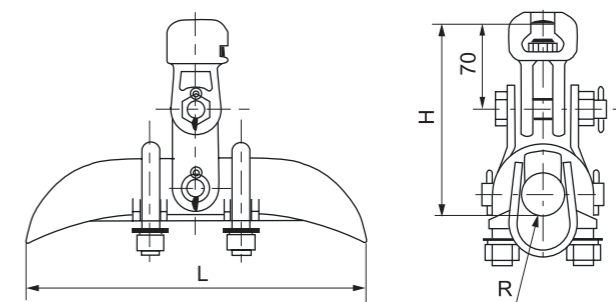
2. 悬垂线夹 (带碗头挂板)

Suspension Clamps (With Socket-Clevis)

型号 Catalog No.	适用绞线直径 (含包缠物) Conductor Dia.(mm)	主要尺寸 Dimensions (mm)			破坏荷重 Rated Failure Load (kN)	重量 Weight (kg)
		H	L	R		
XGU-5A	23.0~33.0	157	300	17.0	70	5.7
XGU-6A	34.0~45.0	163	300	23.0	70	6.1

线夹本体、压板和碗头挂板为可锻铸铁件，闭口销为不锈钢制件，其余为钢制件。除闭口销外热镀锌。

The clamp body, keepers and socket-clevis are malleable iron, cotter-pins are stainless steel, the other parts are steel. except lotter-pins, All ferrous parts are hot-dip galvanized.



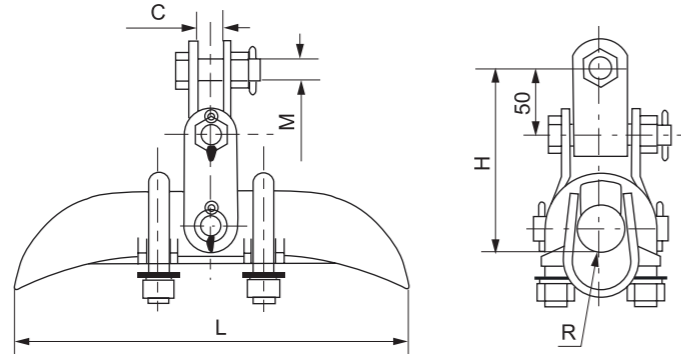
3. 悬垂线夹 (带U型挂板)

Suspension Clamps (With U Clevis)

型号 Catalog No.	适用绞线直径 (含包缠物) Conductor Dia.(mm)	主要尺寸 Dimensions (mm)					破坏荷重 Rated Failure Load (kN)	重量 Weight (kg)
		H	L	R	C	M		
XGU-5B	23.0~33.0	137	300	17	20	16	70	5.4
XGU-6B	34.0~45.0	143	300	23	20	16	70	5.8
XGU-7B	45.0~48.7	156	300	26	20	16	70	6.2

线夹本体和压板为可锻铸铁件, 闭口销为不锈钢制件, 其余为钢制件。除闭口销外热镀锌。

The clamp body and keepers are malleable iron, cotter-pins are stainless steel, the other parts are steel. except cotter-pins, All ferrous parts are hot-dip galvanized.



4. 悬垂线夹 (耐磨型)

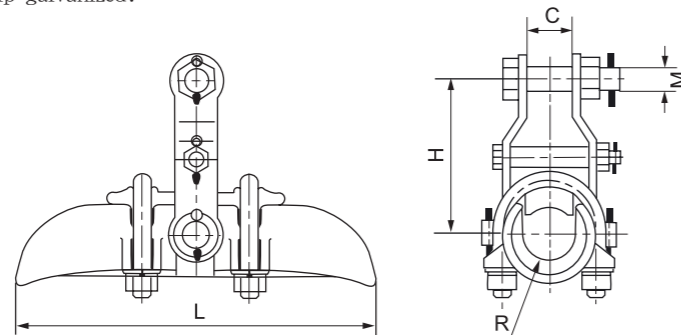
Suspension Clamps (Abrasion-proof Type)

4-1

型号 Catalog No.	适用绞线直径 (含包缠物) Conductor Dia.(mm)	主要尺寸 Dimensions (mm)					破坏荷重 Rated Failure Load (kN)	重量 Weight (kg)
		H	L	R	C	M		
XGU-1F	5.0~7.0	82	180	4	18	16	40	1.6
XGU-2F	7.1~13.0	103	200	7.0	18	16	40	2.4
XGU-3F	13.1~21.0	121	220	11.0	18	16	40	2.5
XGU-4F	21.1~26.0	130	250	13.5	19	16	40	4.0
XGU-5F	23.0~33.0	140	300	17	20	18	60	4.5
XGU-6F	34.0~45.0	155	300	23	20	18	60	5.0

线夹本体和压板为可锻铁件, 闭口销为不锈钢制件, 其余为钢制件。除闭口销外热镀锌。

The clamp body and keepers are malleable iron, cotter-pins are stainless steel, the other parts are steel. except cotter-pins, All ferrous parts are hot-dip galvanized.



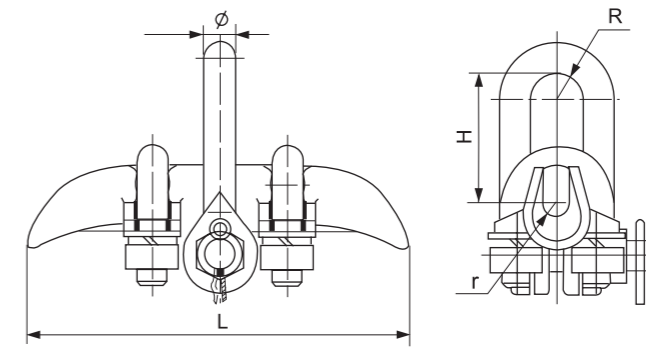
(图 4-1) (Fig.4-1)

4-2

型号 Catalog No.	适用绞线直径 (含包缠物) Conductor Dia.(mm)	主要尺寸 Dimensions (mm)					破坏荷重 Rated Failure Load (kN)	重量 Weight (kg)
		H	L	φ	R	r		
XDU-2A	7.1~13.0	67	200	16	14	7.0	50	2.2

线夹本体和压板为可锻铁件, 闭口销为不锈钢制件, 其余为钢制件、可锻铸铁件和钢制件热镀锌。

The clamp body and keepers are malleable iron, cotter-pins are stainless steel, the other parts are steel, malleable iron and hot-dip galvanized.



(图 4-2) (Fig.4-2)

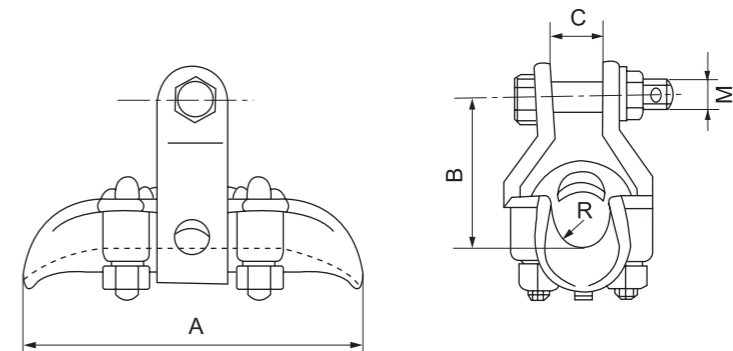
5. 悬垂线夹 (挂板型)

Suspension Clamps (With Clevis)

型号 Cat No.	适用绞线直径 (含包缠物) Conductor Dia.(mm)	主要尺寸 Dimensions (mm)					破坏载荷 Rated Failure Load (kN)	重量 Weight kg
		A	B	C	M	R		
XGZ-1	11.0~17.0	210	105	24.0	16	8.0	40	1.70
XGZ-2	18.0~24.0	250	130	24.0	16	12.5	40	2.65
XGZ-3	24.0~28.0	295	160	24.0	16	14.5	40	4.40
XGZ-4	28.0~32.0	300	145	24.0	16	16.5	60	4.75
XGZ-5	26.0~32.0	295	125	32.0	18	16.5	70	4.50
XGZ-6	30.0~42.0	300	182	24.0	18	22	80	5.20
XGZ-6.1	34.0~42.0	320	160	24	20	22	120	6.20
XGZ-7	40.0~49.0	300	181	24.0	18	25	100	6.53
XGZ-8	48.0~56.0	360	165	24.0	20	29	120	7.70

线夹本体、压板为铝合金件, 闭口销为不锈钢制件, 其余为热镀锌钢制件。

The body and keeper are made of aluminium alloy, cotter-pin is made of stainless steel, other parts are made of hot-dip galvanized steel.



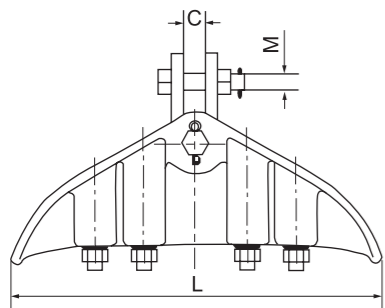
6. 悬垂线夹 (XGJ、CGJ 型)

Suspension Clamps (Type XGJ, CGJ)

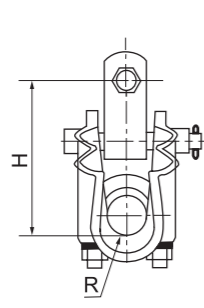
型号 Catalog No.	适用绞线直径 (含包缠物) Conductor Dia.(mm)	主要尺寸 Dimensions (mm)					破坏荷重 Rated Failure Load (kN)	简图 Fig. No.	重量 Weight (kg)
		H	L	R	C	M			
XGJ-2	11.0~13.0	112	300	8	18	18	100	1	7.0
XGJ-3	13.0~18.0	133	380	9.0	18	16	70	1	7.6
XGJ-4	22.0~31.0	193	400	16.0	26	24	125	1	13.0
XGJ-5	23.0~43.0	121	390	22	24	22	120	3	10.0
XGJ-5.1	31.0~43.0	232	500	22	44	30	200	1	9.6
XGJ-3HT	33.0~39.0	211	520	20	24	22	100	1	12.4
XGJ-5H	36.0~43.0	202	400	22	26	24	120	1	14.5
XGJ-4Z	21.0~25.0	193	400	13.0	18	16	70	2	13.5
XGJ-5Z	36.0~43.0	202	400	22.0	26	24	120	2	16.0
XGJ-6Z	36.0~47.0	212	500	24.0	26	24	150	2	20.0
XGJ-8028	23.0~28.0	200	400	14.5	22	18	80	2	13.9
XGJ-12042	36.0~41.0	250	500	21.0	26	24	120	2	19.6
XGJ-8018	13.0~18.0	142	380	9.0	18	16	80	1	9.3
XGJ-12039	36.0~43.0	174	400	22	26	24	120	1	13.0

线夹本体和压板为可锻铁件，闭口销为不锈钢制件，其余为钢制件、可锻铸铁件和钢制件热镀锌。

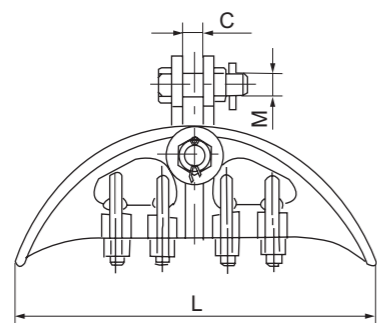
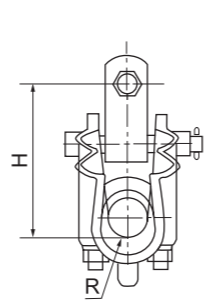
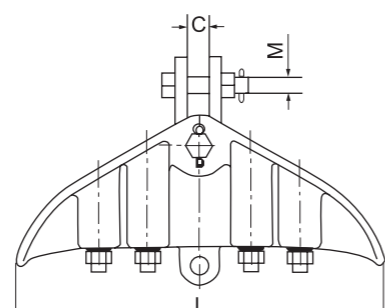
The clamp body and keepers are malleable iron, cotter-pins are stainless steel, the other parts are steel, malleable iron and hot-dip galvanized.



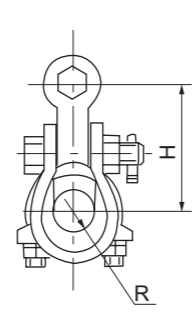
(图1) (Fig.1)



(图2) (Fig.2)



(图3) (Fig.3)



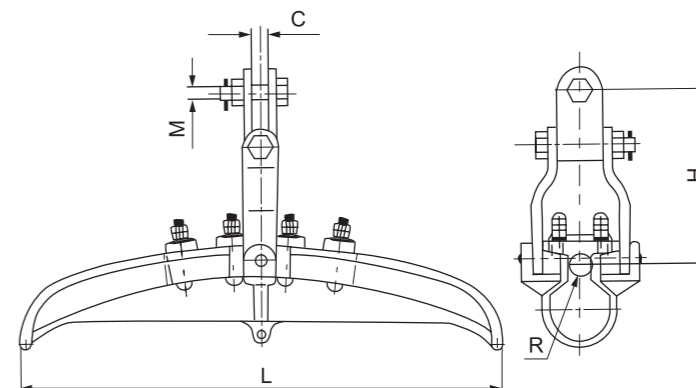
7. 悬垂线夹 (大跨越用)

Suspension Clamps (For Large Span)

型号 Catalog No.	适用绞线直径 (含包缠物) Conductor Dia.(mm)	主要尺寸 Dimensions (mm)					破坏荷重 Rated Failure Load (kN)	重量 Weight (kg)
		H	C	M	R	L		
XGJ-6.1	36.0~43.0	410	38	36	22	900	200	70.0
XGJ-7.1	43.0~50.0	410	38	36	25	1100	300	82.0

线夹本体为可锻铸铁件，压板为铝合金制件，闭口销为不锈钢制件，其余为钢制件、可锻铸铁件和钢制件热镀锌。

The clamp body is malleable iron, the keepers are aluminium alloy, cotter-pin is stainless steel, the other parts are steel, malleable iron and hot-dip galvanized.



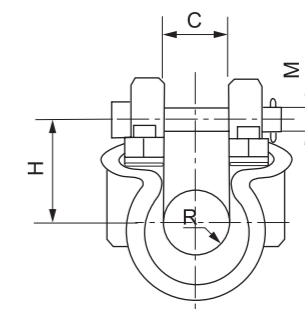
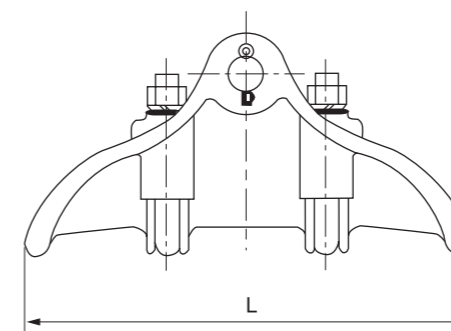
8. 悬垂线夹 (铝合金、提包式)

Aluminium Alloy Suspension Clamps (Envelope Type)

型号 Catalog No.	适用绞线直径 (含包缠物) Conductor Dia.(mm)	主要尺寸 Dimensions (mm)					破坏荷重 Rated Failure Load (kN)	重量 Weight (kg)
		H	L	R	C	M		
XGH-3	12.4~17.0	53	180	10	20	16	40	1.5
XGH-4	19.0~23.5	74	226	12	28	16	40	2.3
XGH-5	23.0~32.0	68	216	15	35	16	60	3.0
XGH-6	25.0~35.0	68	216	17.5	35	16	60	3.6
XGH-8	48.0~53.0	97	300	27	56	20	60	5.5

线夹本体和压板为铝合金件，闭口销为不锈钢制件，其余为热镀锌钢制件。

The clamp body and keepers are aluminium alloy, cotter-pin is stainless steel, the other parts are hot-dip galvanized steel.



9. 悬垂线夹 (下垂式)

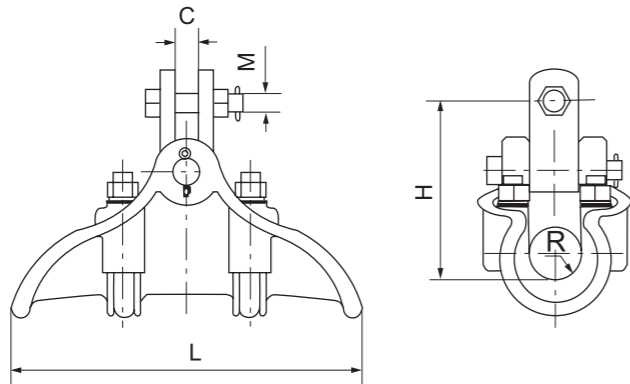
Suspension Clamps (Hang-down Type)

9-1

型号 Catalog No.	适用绞线直径 (含包缠物) Conductor Dia.(mm)	主要尺寸 Dimensions (mm)					破坏荷重 Rated Failure Load (kN)	重量 Weight (kg)
		H	L	R	C	M		
XGF-4X	20.0~25.0	143	300	13.0	20	16	60	3.0
XGF-5X	24.2~33.0	145	300	16.0	20	16	60	3.5
XGF-6X	34.0~43.0	180	300	22.0	20	18	90	4.8
XGF-7X	40.0~52.0	191	350	26.0	20	18	100	5.8
XGF-8034	28.0~33.0	167	390	17.0	24	18	80	7.3
XGF-10034	28.0~33.0	167	390	17.0	24	18	100	7.9

线夹本体和压板为铝合金件, 闭口销为不锈钢制件, 除闭口销外钢制件热镀锌。

The clamp body and keepers are aluminium alloy, cotter-pin is stainless steel, the other parts are hot-dip galvanized steel.



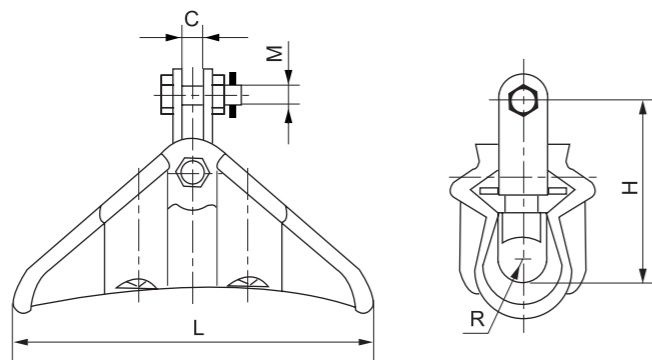
(图 9-1) (Fig.9-1)

9-2

型号 Catalog No.	适用绞线直径 (含包缠物) Conductor Dia.(mm)	主要尺寸 Dimensions (mm)					破坏荷重 Rated Failure Load (kN)	重量 Weight (kg)
		H	L	R	C	M		
XF-8038	33.0~38.0	155	330	19.5	22	16	80	4.5
XF-10048	36.0~47.0	170	420	24.0	30	18	100	6.0

线夹本体和压板为铝合金件, 闭口销为不锈钢制件, 其余为热镀锌钢制件。

The clamp body and keepers are aluminium alloy, cotter-pin is stainless steel, the other parts are hot-dip galvanized steel.



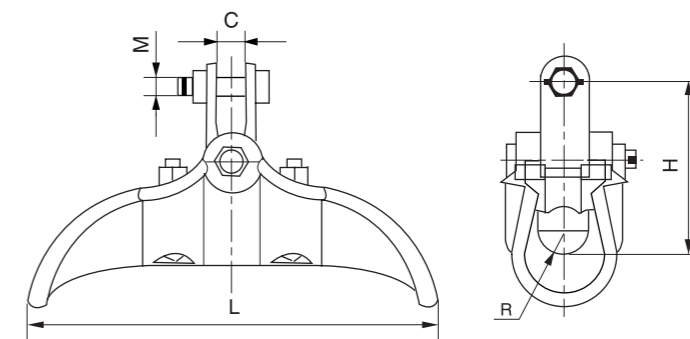
(图 9-2) (Fig.9-2)

9-3

型号 Catalog No.	适用绞线直径 (含包缠物) Conductor Dia.(mm)	主要尺寸 Dimensions (mm)					破坏荷重 Rated Failure Load (kN)	重量 Weight (kg)
		H	L	R	C	M		
XF-15054	48.0~53.0	185	418	27	26	24	150	9.5
XF-10054	48.0~53.0	185	418	27	26	18	100	9.5
XF-16054	48.0~53.0	185	418	27	26	24	160	9.5

线夹本体和压板为铝合金件, 闭口销为不锈钢制件, 其余为热镀锌钢制件。

The clamp body and keepers are aluminium alloy, cotter-pin is stainless steel, the other parts are hot-dip galvanized steel.



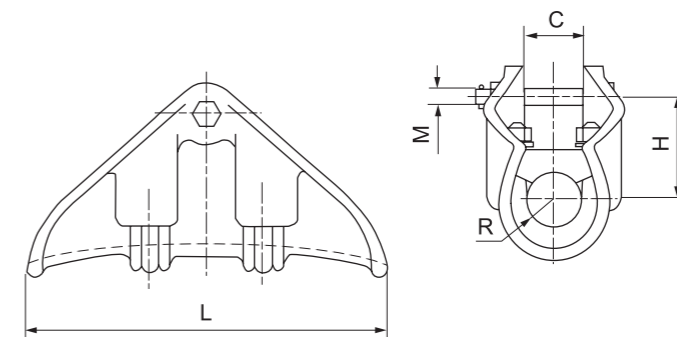
(图 9-3) (Fig.9-3)

9-4

型号 Catalog No.	适用绞线直径 (含包缠物) Conductor Dia.(mm)	主要尺寸 Dimensions (mm)					破坏荷重 Rated Failure Load (kN)	重量 Weight (kg)
		H	L	R	C	M		
XGF-6	34.0~43.0	70	300	22.0	44	16	80	3.8
XGF-8032	28.0~32.0	80	320	16.5	40	18	80	4.6
XGF-10032	28.0~32.0	80	320	16.5	40	18	100	4.6
XGF-10038	33.0~38.0	100	418	19.5	42	18	100	4.8

线夹本体和压板为铝合金件, 闭口销为不锈钢制件, 其余为热镀锌钢制件。

The clamp body and keepers are aluminium alloy, cotter-pin is stainless steel, the other parts are hot-dip galvanized steel.



(图 9-4) (Fig.9-4)

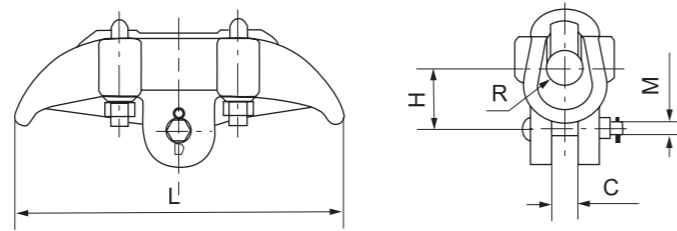
10. 悬垂线夹 (上扛式)

Suspension Clamps (Carried-up Type)

型号 Catalog No.	适用绞线直径 (含包缠物) Conductor Dia.(mm)	主要尺寸 Dimensions (mm)					破坏荷重 Rated Failure Load (kN)	重量 Weight (kg)
		H	L	R	C	M		
XGF-5K	24.2~33.0	55	300	16.0	24	16	60	3.0
XFK-8038	33.0~38.0	60	330	19.5	24	16	80	3.6

线夹本体和压板为铝合金件，闭口销为不锈钢制件，除闭口销外钢制件热镀锌。

The clamp body and keepers are aluminium alloy, cotter-pin is stainless steel, the other parts are hot-dip galvanized steel.



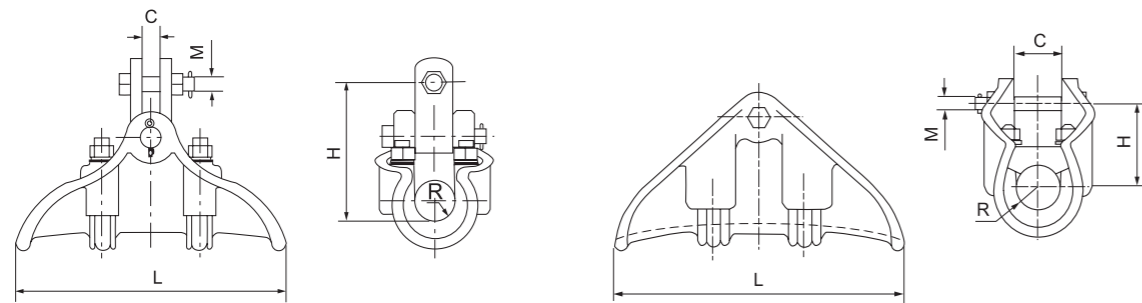
11. 悬垂线夹 (500kV 高海拔线路用)

Suspension Clamps (For 500kV and High altitude)

型号 Catalog No.	适用绞线直径 (含包缠物) Conductor Dia.(mm)	主要尺寸 Dimensions (mm)					简图 Fig No.	破坏荷重 Rated Failure Load (kN)	重量 Weight (kg)
		H	L	R	C	M			
XGF-5X/GH	24.2~33.0	146	300	16	20	16	1	60	4.8
XGF-6X/GH	34.0~43.0	92	300	22	48	18	2	90	4.5
XGF-7X/GH	34.0~43.0	70	300	22	48	18	2	70	4.6
XGF-9X/GH	34.0~43.0	70	300	22	48	18	2	90	4.6
XGF-12X/GH	34.0~43.0	70	300	22	48	20	2	120	4.6
XGF-5K/GH	24.2~33.0	55	300	16	24	16	3	60	3.7

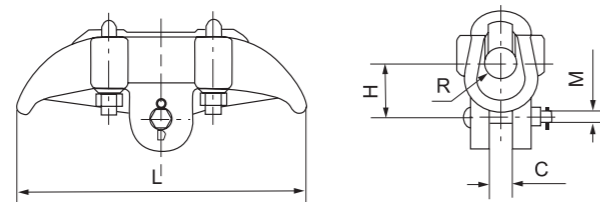
线夹本体和压板为铝合金件，闭口销为不锈钢制件，除闭口销外钢制件热镀锌。

The clamp body and keepers are aluminium alloy, cotter-pin is stainless steel, the other parts are hot-dip galvanized steel.



(图1) (Fig.1)

(图2) (Fig.2)



(Fig.3)

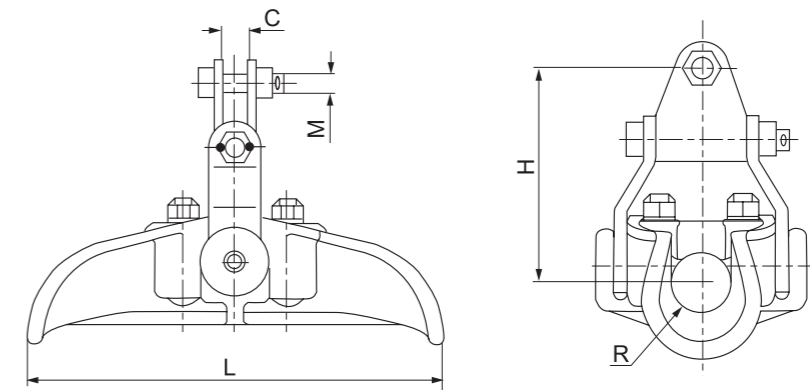
12. 悬垂线夹 (XFZ 型)

Suspension Clamps (Type XFZ)

型号 Catalog No.	适用绞线直径 (含包缠物) Conductor Dia.(mm)	主要尺寸 Dimensions (mm)					破坏荷重 Rated Failure Load (kN)	重量 Weight (kg)
		H	L	R	C	M		
XFZ-10054	48.0~53.0	194	418	27	24	18	100	10.3

线夹本体和压板为可锻铸铁件，闭口销为不锈钢制件，其余为钢制件。钢制件热镀锌。

The clamp body and keepers are malleable iron, cotter-pins are stainless steel, the other parts are steel. All ferrous parts are hot-dip galvanized.



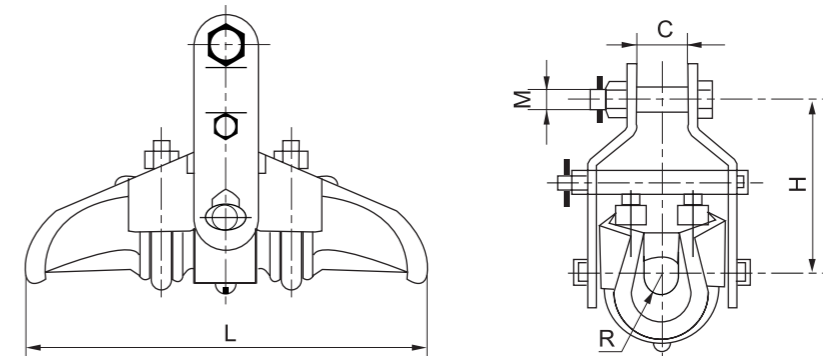
13. 悬垂线夹 (XGZ 型)

Suspension Clamps (Type XGZ)

型号 Catalog No.	适用绞线直径 (含包缠物) Conductor Dia.(mm)	主要尺寸 Dimensions (mm)					破坏荷重 Rated Failure Load (kN)	重量 Weight (kg)
		H	L	R	C	M		
XGZ-5	24.0~31.0	87	287	16	50	16	60	3.7
XGZ-6	40.0~45.0	95	287	23	50	16	60	4.3
XGZ-7	46.0~51.0	100	300	26	54	18	100	6.1
XGZ-9032	24.0~31.0	145	340	16	44	18	90	6.2
XGZ-12032	24.0~31.0	145	340	16	44	22	120	6.5

线夹本体和压板为铝合金件，闭口销为不锈钢制件，除闭口销外钢制件热镀锌。

The clamp body and keepers are aluminium alloy, cotter-pin is stainless steel, except cotter-pins, the other parts are hot-dip galvanized steel.



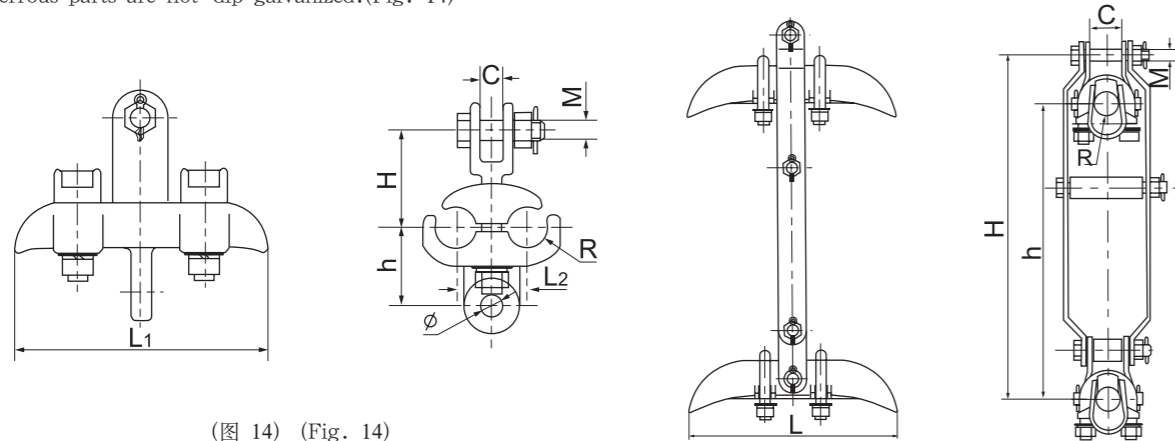
14. 悬垂线夹 (双导线跳线用)

Suspension Clamps for Twin Jumper Conductors

型号 Catalog No.	适用绞线直径 (含包缠物) Conductor Dia.(mm)	主要尺寸 Dimensions (mm)								破坏荷重 Rated Failure Load (kN)	重量 Weight (kg)
		φ	R	L1	L2	M	C	h	H		
XTS-1	21.0~25.0	-	13.0	200	50	16	19	-	77	70	3.4
XTS-2	25.0~31.0	18	16.0	200	56	16	18	62	77	70	5.0
XTS-5	23.0~33.0	18	17.0	200	60	18	20	55	70	100	4.2
XTS-6	34.0~45.0	18	23.0	250	77	16	20	70	103	70	7.5
XTS-2A	17.0~21.0	18	11.0	200	50	16	18	57	77	70	4.5
XTS-2B	21.0~27.0	18	14.0	200	52	16	18	59	77	70	5.0
XTS-2C	29.0~35.0	18	18.5	200	70	16	19	70	61	40	6.5

线夹本体和压板为可锻铁件, 闭口销为不锈钢制件, 其余为钢制件、除闭口销外热镀锌。(图 14)

The clamp body and keepers are malleable iron, cotter-pins are stainless steel, the other parts are steel. except cotter-pins All ferrous parts are hot-dip galvanized.(Fig. 14)



(图 14) (Fig. 14)

(图 15) (Fig. 15)

15. 悬垂线夹 (双导线用)

Suspension Clamps for Twin Conductors

型号 Catalog No.	适用绞线直径 (含包缠物) Conductor Dia.(mm)	主要尺寸 Dimensions (mm)						破坏荷重 Rated Failure Load (kN)	重量 Weight (kg)
		h	H	L	R	C	M		
XCS-4	21.1~26.0	400	490	250	13.5	20	16	70	9.3
XCS-5	23.0~33.0	400	490	300	17.0	38	18	100	10.8
XCS-6	34.0~45.0	400	490	300	23.0	38	18	100	12.5
XCS-7	45.0~48.7	400	490	300	26.0	42	18	60	12.4
XCS-5C	23.0~33.0	400	490	300	17.0	48	18	120	14.6
XCS-6B	34.0~45.0	400	521	300	23.0	46	18	100	12.7
XCS-6C	34.0~45.0	400	495	350	23.0	48	24	160	15.8
XCS-7C	45.0~48.7	400	495	350	26.0	48	24	160	16.9
XCS-4/800	21.1~26.0	800	890	250	13.5	40	16	70	12.6
XCS-5/800	23.0~33.0	800	890	300	17.0	40	16	60	14.2
XCS-6/500	34.0~45.0	500	621	300	23.0	46	16	60	15.0

线夹本体和压板为可锻铁件, 闭口销为不锈钢制件, 其余为钢制件。可锻铸铁件和钢制件热镀锌。(图 15)

The clamp body and keepers are malleable iron, cotter-pins are stainless steel, the other parts are steel, malleable iron and hot-dip galvanized.(Fig. 15)

16. 悬垂线夹 (双导线用、节能型)

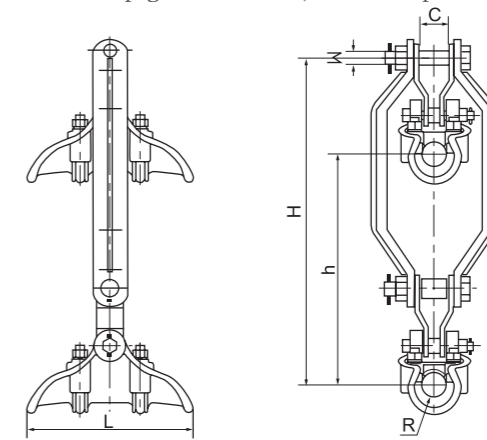
Aluminium Alloy Suspension Clamps for Twin Conductors

16-1

型号 Catalog No.	适用绞线直径 (含包缠物) Conductor Dia.(mm)	主要尺寸 Dimensions (mm)						破坏荷重 Rated Failure Load (kN)	重量 Weight (kg)
		h	H	L	R	C	M		
XCS-4H	21.0~26.0	400	500	300	13.5	42	16	70	10.2
XCS-5H	23.7~27.6	400	550	300	16.0	44	18	100	11.0
XCS-6H	36.0~43.0	400	585	300	22.0	50	22	120	12.9
XCS-7038/500	33.0~38.0	500	646	330	19.5	42	16	70	10.3
XCS-10038/500	33.0~38.0	500	651	300	19.5	50	18	100	11.5
XCS-10044/500	36.0~43.0	500	655	300	22.0	50	18	100	11.2
XCS-10054/500	48.0~53.0	500	655	300	27.0	50	18	100	14.8
XCS-16054/500	48.0~53.0	500	655	300	27.0	54	24	160	16.9

闭口销为不锈钢制件, 紧固件为热镀锌钢制件, 其余为铝合金制件。

Cotter-pins are stainless steel, fasteners are hot-dip galvanized steel, the other parts are aluminium alloy.



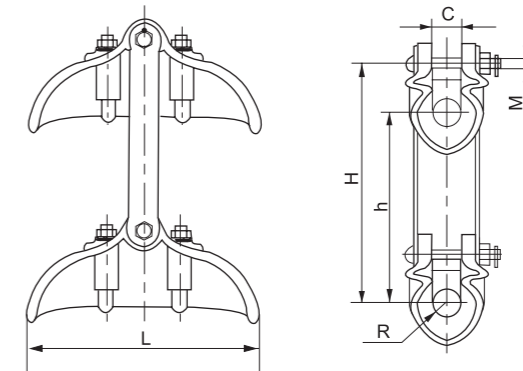
(图 16-1) (Fig. 16-1)

16-2

型号 Catalog No.	适用绞线直径 (含包缠物) Conductor Dia.(mm)	主要尺寸 Dimensions (mm)						破坏荷重 Rated Failure Load (kN)	重量 Weight (kg)
		h	H	L	R	C	M		
XCS-6-12	36.0~43.0	600	670	300	22.0	44	16	100	10.9

大挂板及闭口销为不锈钢制件, 紧固件为热镀锌钢制件, 其余为铝合金制件。

Cotter-pins are stainless steel, fasteners are hot-dip galvanized steel, the other parts are aluminium alloy.



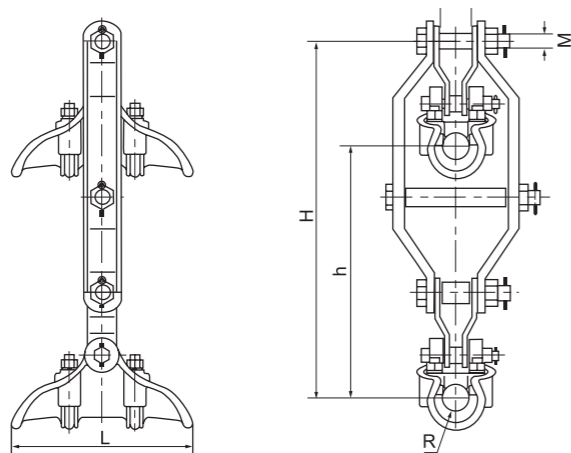
(图 16-2) (Fig. 16-2)

16-3

型号 Catalog No.	适用绞线直径 (含包缠物) Conductor Dia.(mm)	主要尺寸 Dimensions (mm)						破坏荷重 Rated Failure Load (kN)	重量 Weight (kg)
		h	H	L	R	C	M		
XCS-4HG	23.7~27.6	400	500	300	13.5	42	16	70	10.2
XCS-5HG	23.7~33.0	400	550	300	16.0	44	18	100	12.2
XCS-6HG	36.0~43.0	400	585	300	22.0	50	22	120	12.9

闭口销为不锈钢制件，大挂板及紧固件为热镀锌钢制件，其余为铝合金制件。

Cotter-pins are stainless steel, fasteners are hot-dip galvanized steel, the other parts are aluminium alloy.



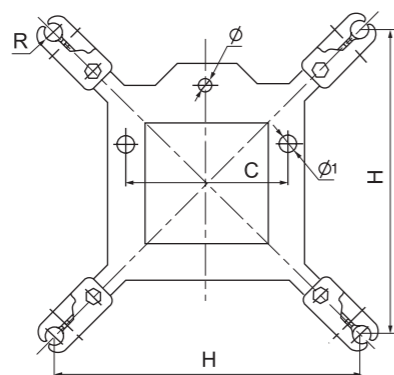
17. 跳线悬垂线夹

Suspension Clamps for Jumper Conductors

型号 Catalog No.	适用绞线直径 (含包缠物) Conductor Dia.(mm)	主要尺寸 Dimensions (mm)					重量 Weight (kg)
		H	C	ϕ	R	ϕ_1	
XT4	23.0~28.0	450	240	18	13.5	26	8.4
XT-445/400	26.0~32.0	450	240	18	16.0	26	8.4
XT-445/500	28.0~33.0	450	240	18	17.0	26	8.4
XT4-45500	26.0~32.0	450	240	18	16.0	26	8.4
XT4-45630	28.0~33.0	450	240	18	17.0	26	8.8
XT4-50630	28.0~33.0	450	240	18	17.0	26	10.6

线夹本体和压板为铸铝件，闭口销为不锈钢制件，其余为热镀锌钢制件。

The clamp body and keepers are casting aluminium, cotter-pins are stainless steel, the other parts are steel. All ferrous parts are hot-dip galvanized.



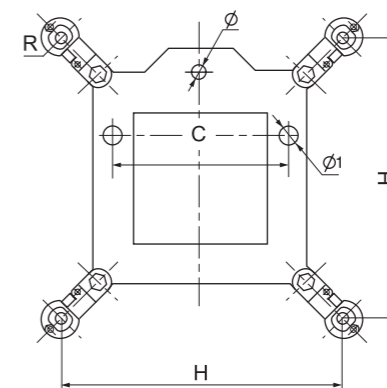
18. 跳线悬垂线夹 (阻尼型)

Suspension Clamps for Jumper Conductors

型号 Catalog No.	适用导线 Suitable Conductor	主要尺寸 Dimensions (mm)				重量 Weight (kg)
		H	C	ϕ	ϕ_1	
XTJ4-300	LGJ-300/20~50	450	240	18	24	11.9
XTJ4-400	LGJ-400/20~35	450	240	18	24	11.9
XTJ4-400A	LGJ-400/50~65	450	240	18	24	11.9
XTJ4-500	LGJ-500/45	450	240	18	24	12.5
XTJ4-630	LGJ-630/45	500	240	26	24	15.4
XTJ-720	LGJ-720/50	500	240	26	24	15.4

线夹本体和压板为铝合金件，闭口销为不锈钢制件，其余为热镀锌钢制件。

The clamp body and keepers are casting aluminium, cotter-pins are stainless steel, the other parts are steel. All ferrous parts are hot-dip galvanized.



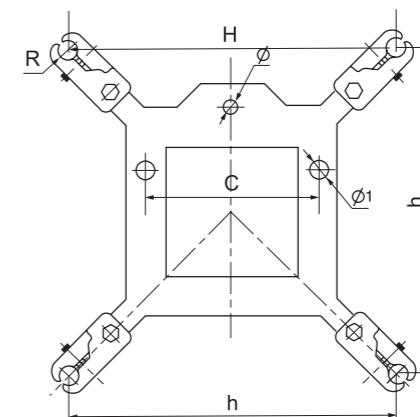
19. 跳线悬垂线夹

Suspension Clamps for Jumper Conductors

型号 Catalog No.	适用导线 Suitable Conductor	主要尺寸 Dimensions (mm)						重量 Weight (kg)
		h	H	C	ϕ	R	ϕ_1	
XTF4-4945400A	LGJ-400/35	450	490	240	18	13.5	26	8.2

线夹本体和压板为铝合金件，闭口销为不锈钢制件，其余为热镀锌钢制件。

The clamp body and keepers are casting aluminium, cotter-pins are stainless steel, the other parts are steel. All ferrous parts are hot-dip galvanized.

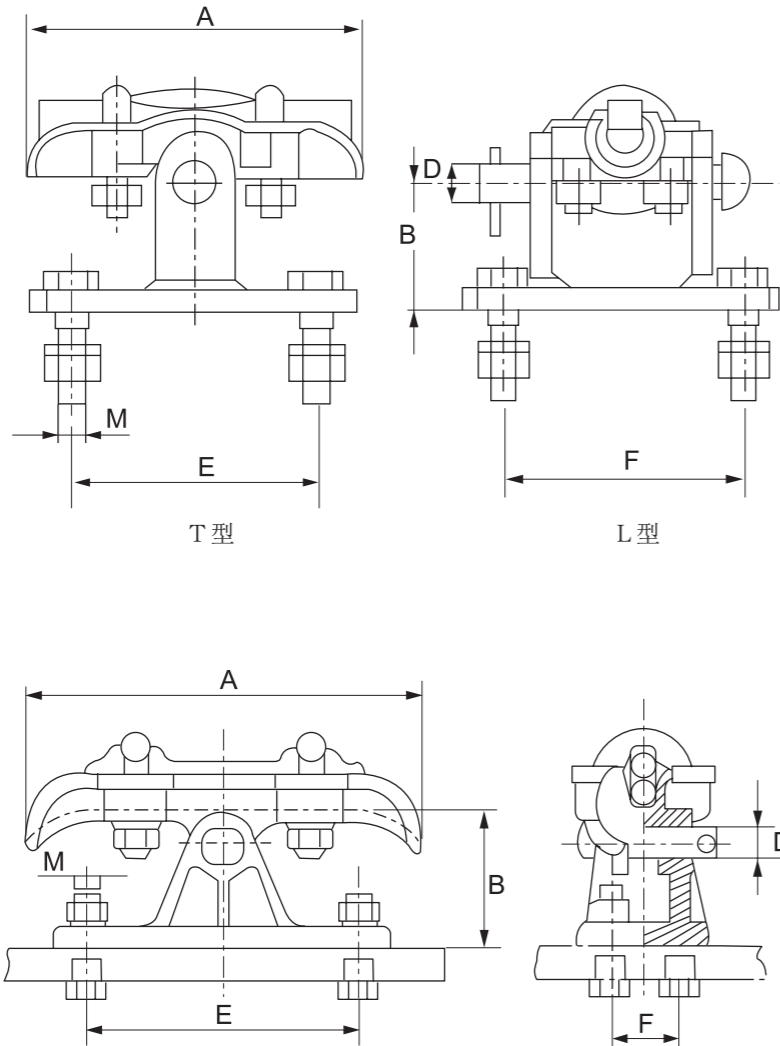


20. 悬垂线夹 (塔顶支承线夹)

Suspension Clamp (Tower Top Clamp & Bracket)

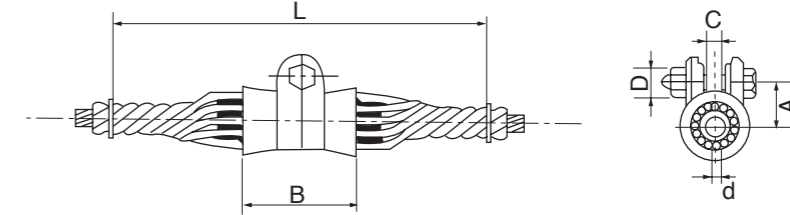
型号 Cat No.	导线外径 Conductor Dia. (mm)	主要尺寸 Dimensions (mm)						简图 Fig. No.	破坏载荷 Rated Failure Load (kN)	重量 Weight kg
		A	B	D	E	F	M			
XZZ-1T	7.0~12.0	130	70	16	90	90	12	1	70	3.5
XZZ-2T	12.0~18.0	150	70	16	90	90	12	1	70	4.0
XZZ-1L	7.0~16.0	180	70	16	140	34	12	2	70	2.50
XZZ-2L	16.0~26.0	200	70	16	140	34	12	2	70	2.90

悬垂线夹组用于柱式绝缘子支撑线夹, 线夹本体、压条为可锻铸铁或铝合金件, 支柱为钢或可锻铸铁件。
Suitable for line post insulator. The body and keeper are made of galvanized malleable iron or Aluminum Alloy, Brackets are made of galvanized steel or malleable iron.
Cat. No. shall be ended with "T" for malleable iron; ended with "L" for aluminum alloy.



21. 预绞式悬垂线夹 (AGS 型)

Armour-Grip Suspension Clamp (AGS Type)



产品型号 Type	DL/T763-2001 标准型号	适用导线类型 (GB1179-08) LGJ/LGJF	适用导线直径范围		参考线夹 长度(mm)	线夹重量 (mm)	色标	垂直破断 强度(kN)
			最小	最大				
DC3001	CL-35/6	35/6	8.03	8.31	660	1.1	红	70
DC3002	CL-50/8	50/8	9.53	9.88	660	1.1	粉红	70
DC3003	CL-70/10	70/10	11.05	11.45	914	1.5	蓝	70
DC3004	CL-95/15	95/15	13.49	13.78	1041	1.2	黄	70
DC3005	CL-95/20	95/20	13.79	14.1	1118	1.3	黑	70
DC3006	CL-120/7	120/7	14.11	14.56	1118	1.4	白	70
DC3007	CL-120/20	120/20	14.57	15.1	1143	1.4	棕	70
DC3008	CL-120/25	120/25	15.42	15.74	1168	1.4	紫	70
DC3009	CL-150/8	150/8	15.75	16.39	1270	1.5	红	70
DC3010	CL-150/20	150/20	16.40	17.1	1372	1.8	蓝	70
DC3011	CL-150/25	150/25	16.40	17.1	1372	1.8	蓝	70
DC3012	CL-150/35	150/35	17.11	17.54	1372	1.8	绿	70
DC3013	CL-185/10	185/10	17.55	18.04	1372	1.9	黄	70
DC3014	CL-185/25	185/25	18.59	19	1422	2	白	70
DC3015	CL-180/30	185/30	18.59	19	1422	2	白	70
DC3016	CL-210/10	210/10	18.59	19	1422	2	白	70
DC3017	CL-180/45	185/45	19.52	20.1	1524	2.6	橙	70
DC3018	CL-210/25	210/25	19.52	20.1	1524	2.6	橙	70
DC3019	CL-210/35	210/35	20.11	20.94	1549	2.8	紫	100
DC3020	CL-210/50	210/50	20.11	20.94	1549	2.8	紫	100
DC3021	CL-240/30	240/30	21.48	22.09	1626	2.9	蓝	100
DC3022	CL-240/40	240/40	21.48	22.09	1626	2.9	蓝	100
DC3023	CL-240/55	240/55	22.10	22.69	1651	3.1	绿	100
DC3024	CL-300/15	300/15	22.70	23.05	1651	3.1	绿	100
DC3025	CL-300/20	300/20	23.39	23.79	1676	4.1	黑	100
DC3026	CL-300/25	300/25	23.39	23.79	1676	4.1	黑	100
DC3027	CL-300/40	300/40	23.80	24.45	1702	4.1	白	100
DC3028	CL-300/50	300/50	23.80	24.45	1702	4.1	白	100
DC3029	CL-300/70	300/70	25.08	25.54	1753	4.4	橙	100
DC3030	CL-400/20	400/20	26.43	27.29	2083	5.7	蓝	100
DC3031	CL-400/25	400/25	26.43	27.29	2083	5.7	蓝	100
DC3032	CL-400/35	400/35	26.43	27.29	2083	5.7	蓝	120
DC3033	CL-400/50	400/50	27.30	27.69	2083	5.9	绿	120
DC3034	CL-400/65	400/65	27.70	27.69	2083	5.9	黄	120
DC3035	CL-400/95	400/95	28.88	29.26	2083	5.9	白	120

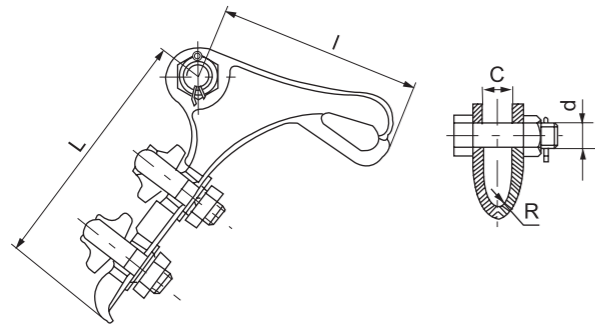
二、耐张线夹 STRAIN CLAMP

1. 耐张线夹（螺栓型） Strain Clamps (Bolt Type)

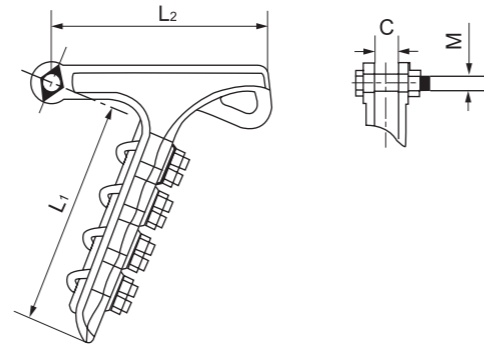
型号 Catalog No.	适用绞线直径 (含包缠物) Conductor Dia.(mm)	主要尺寸 Dimensions (mm)					U型螺栓 U Bolt		破坏荷重 Rated Failure Load (kN)	重量 Weight (kg)
		M	C	L1	L2	R	数量 Qty(pc.)	直径 dia(mm)		
NLD-1	5.1-10.0	16	18	150	120	6.5	2	12	20	1.3
NLD-2	10.1-14.0	16	18	205	130	8.0	3	12	40	2.1
NLD-3	14.1-18.0	18	22	310	160	11.0	4	16	70	4.6
NLD-4	18.1-23.0	18	25	410	220	12.5	5	16	100	7.1

线夹本体和压板为可锻铁件，闭口销为不锈钢制件，其余为热镀锌钢制件。(图 1)

The clamp body and keepers are malleable iron, cotter-pins are stainless steel, the other parts are steel. All ferrous parts are hot-dip galvanized.(Fig. 1)



(图 1) (Fig. 1)



(图 2) (Fig. 2)

2. 铝合金耐张线夹（螺栓型） Aluminium Alloy Strain Clamps (Bolt Type)

型号 Catalog No.	适用绞线直径 (含包缠物) Conductor Dia.(mm)	主要尺寸 Dimensions (mm)				破坏荷重 Rated Failure Load (kN)	重量 Weight (kg)
		M	C	L1	L2		
NLL-1	5.1~11.5	16	19	140	120	40	1.0
NLL-2	8.9~18.5	16	24	176	187	40	1.6
NLL-3	5.0~15.0	16	18	310	160	70	1.9
NLL-4	12.1~21.8	16	30	298	284	90	4.1
NLL-5	18.0~30.0	22	36	446	342	120	7.0
NLL-6	27.0~38.0	22	44	560	360	120	8.1
NLL-2A	7.0~16.0	16	20	111	137	40	1.6
NLL-4A	12.1~21.8	16	30	298	292	102	3.9
NLL-5A	18.0~30.0	16	32	190	235	70	3.9
NLL-6A	27.0~38.0	16	36	296	255	70	4.0

线夹本体和盖板为铝合金制件，闭口销为不锈钢制件，其余为热镀锌钢制件。(图 2)

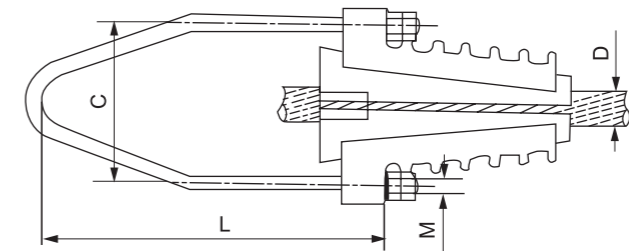
The clamp body and keepers are aluminium alloy, the cotter-pin is stainless steel, the other parts are hot-dip galvanized steel. (Fig. 2)

3. 绝缘导线用耐张线夹（10kV 线路用） Strain Clamps for Insulated Cable

型号 Catalog No.	适用导线 Suitable Conductor	主要尺寸 Dimensions (mm)				握力 Slip Strength (kN)	重量 Weight (kg)
		M	C	D	L		
NX-I Y	JKLYJ-185	12	108	27	140-240	17.3	2.0
	JKLYJ-240	12	108	27	140-240	22.5	2.0
NX-II Y	JKLYJ-120	12	108	23	140-240	11.3	2.0
	JKLYJ-150	12	108	23	140-240	13.6	2.0
NX-III Y	JKLYJ-70	12	108	20	140-240	6.7	1.6
	JKLYJ-95	12	108	20	140-240	8.9	1.6
NX-IV Y	JKLYJ-50	12	108	18	140-220	4.6	1.6
	JKLYJ-35	10	92	12	160-220	3.4	1.0

线夹本体为铝合金制件，线夹芯为塑料制件，其余为热镀锌钢制件。

The clamp body is aluminium alloy, the clamp core is plastic, the other parts are hot-dip galvanized steel.



4. 耐张线夹（液压型） Strain Clamps (Hydraulic Compression Type)

型号 Catalog No.	适用导线 Suitable Conductor	主要尺寸 Dimensions (mm)							握力 Slip Strength (kN)	简图 Fig. No.	重量 Weight (kg)
		D1	D2	D3	L1	L2	L3	r			
NY-50/30	LGJ-50/30	32	16	16	430	60	170	8.5	41.0	1	1.4
NY-60/35	LGJ-60/35	32	16	16	450	60	170	8.5	46.5	1	1.6
NY-70/40	LGJ-70/40	32	16	16	450	50	170	8.5	55.0	1	2.1
NY-95/15	LGJ-95/15	30	14	16	425	55	220	10.0	33.0	1	2.0
NY-95/20	LGJ-95/20	30	14	16	420	60	170	8.5	38.8	1	2.1
NY-95/55	LGJ-95/55	34	22	18	416	50	220	11.0	74.0	1	2.4
NY-95/140	LGJ-95/140	45	30	24	615	80	245	15.0	163.0	1	5.8
NY-120/20	LGJ-120/20	30	14	12	455	55	220	10.0	39.0	1	1.9
NY-120/25	LGJ-120/25	30	14	12	485	55	220	10.0	45.5	1	1.9
NY-120/70	LGJ-120/70	36	22	20	520	70	240	12.5	93.5	1	3.0
NY-150/20	LGJ-150/20	30	14	16	410	55	210	8.0	44.0	1	1.8
NY-150/35	LGJ-150/35	30	16	16	475	55	210	9.0	61.0	1	2.0
NY-185/25	LGJ-185/25	34	14	16	475	70	230	9.5	56.4	1	2.5
NY-185/30	LGJ-185/30	34	16	16	470	55	220	9.0	62.0	1	2.5
NY-185/45	LGJ-185/45	34	18	16	495	70	230	10.0	76.0	1	2.6

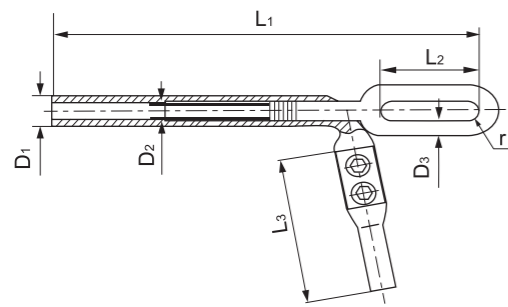
续表见下页

续表接上页

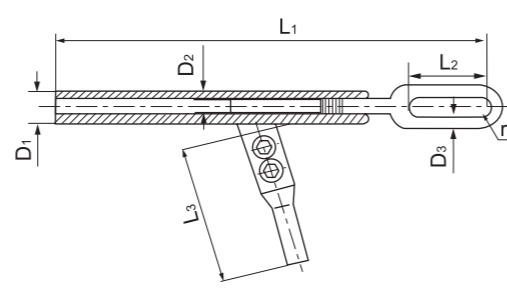
型号 Catalog No.	适用导线 Suitable Conductor	主要尺寸 Dimensions (mm)							握力 Slip Strength (kN)	简图 Fig. No	重量 Weight (kg)
		D1	D2	D3	L1	L2	L3	r			
NY-240/30	LGJ-240/30	36	16	18	500	55	240	10.0	72.0	1	2.9
NY-240/40	LGJ-240/40	36	16	18	515	55	240	10.0	79.0	1	3.1
NY-240/55	LGJ-240/55	36	20	18	535	55	250	11.0	97.0	1	3.2
NY-300/15	LGJ-300/15	40	14	16	490	50	265	11.0	65.0	1	3.6
NY-300/20	LGJ-300/20	40	14	18	505	50	265	11.0	72.0	1	3.6
NY-300/25	LGJ-300/25	40	14	18	515	55	265	11.0	79.0	1	3.5
NY-300/40	LGJ-300/40	40	16	18	535	55	265	11.0	88.0	1	3.5
NY-300/50	LGJ-300/50	40	18	18	560	65	265	12.0	98.0	1	3.9
NY-300/70	LGJ-300/70	42	22	20	600	70	265	12.0	122.0	1	4.5
NY-400/20	LGJ-400/20	45	14	18	540	55	280	13.0	84.0	1	4.3
NY-400/25	LGJ-400/25	45	14	18	550	55	280	13.0	91.0	1	4.3
NY-400/35	LGJ-400/35	45	16	20	580	65	280	13.0	99.0	1	4.6
NY-400/50	LGJ-400/50	45	20	20	590	65	280	13.0	117.0	1	4.8
NY-400/65	LGJ-400/65	48	22	22	620	70	280	13.0	123.0	1	5.4
NY-400/95	LGJ-400/95	48	26	26	670	80	280	15.0	163.0	1	7.1
NY-500/35	LGJ-500/35	52	16	20	620	65	245	14.0	114.0	2	6.0
NY-500/45	LGJ-500/45	52	18	20	625	70	245	14.0	122.0	2	5.5
NY-500/65	LGJ-500/65	52	22	22	660	70	245	15.0	146.0	2	6.6
NY-630/45	LGJ-630/45	60	18	22	660	70	290	16.0	141.0	2	7.7
NY-630/55	LGJ-630/55	60	20	22	660	70	290	16.0	156.0	2	7.9
NY-630/80	LGJ-630/80	60	24	26	715	80	290	17.0	183.0	2	9.1
NY-800/55	LGJ-800/55	65	20	26	740	80	335	19.0	182.0	2	10.5
NY-800/70	LGJ-800/70	65	22	26	745	85	335	19.0	197.0	2	10.6
NY-800/100	LGJ-800/100	65	26	30	780	85	335	19.0	229.0	2	12.1

线夹本体和引流线夹为铝制件，其余为热镀锌钢制件。如引流线夹为30℃，则型号后加B。

The clamp body and jumper clamp are aluminium, the other parts are hot-dip galvanized steel.



(图 1) (Fig.1)



(图 2) (Fig.2)

5. 耐张线夹 (液压型、钢锚整锻)

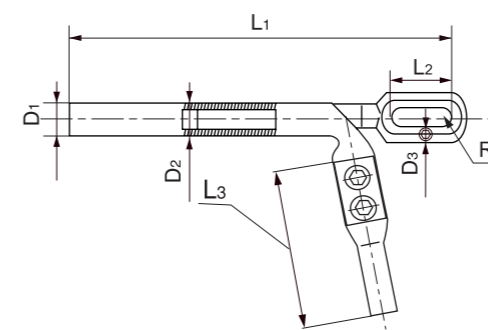
Strain Clamps (Hydraulic Compression Type, Anchor Forged)

5-1

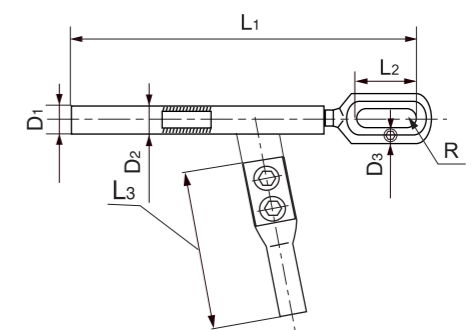
型号 Catalog No.	适用导线 Suitable Conductor	主要尺寸 Dimensions (mm)							握力 Slip Strength (kN)	重量 Weight (kg)	简图 Fig. No
		D1	D2	D3	L1	L2	L3	R			
NY-95/55.1	LGJ-95/55	36	20	18	512	67	230	11	74	2.9	1
NY-150/35.1	LGJ-150/35	30	16	18	465	65	210	10	62	1.8	1
NY-240/30.1	LGJ-240/30	36	16	18	490	65	240	10	72	2.9	1
NY-240/30.2	LGJ-240/30	36	16	18	527	77	240	12	72	2.9	1
NY-240/40.1	LGJ-240/40	36	16	18	490	65	240	10	79	3.0	1
NY-240/55.1	LGJ-240/55	36	20	18	520	65	250	10	97	3.2	1
NY-300/15.1	LGJ-300/15	40	14	16	491	61	265	11	65	3.6	1
NY-300/20.1	LGJ-300/20	40	14	18	497	67	265	11	72	3.6	1
NY-300/25.1	LGJ-300/25	40	14	18	502	67	265	11	79	3.6	1
NY-300/40.1	LGJ-300/40	40	16	18	522	67	265	11	88	3.5	1
NY-300/50.1	LGJ-300/50	40	18	18	542	77	265	12	98	3.9	1
NY-300/70.1	LGJ-300/70	42	22	20	577	82	265	12	122	4.5	1
NY-400/20.1	LGJ-400/20	45	14	18	528	68	280	13	84	4.3	1
NY-400/25.1	LGJ-400/25	45	14	18	538	68	280	13	91	4.3	1
NY-400/35.1	LGJ-400/35	45	16	20	563	78	280	13	99	4.6	1
NY-400/50.1	LGJ-400/50	45	20	20	573	78	280	13	117	4.7	1
NY-400/65.1	LGJ-400/65	48	22	22	598	83	280	13	123	5.4	1
NY-400/95.1	LGJ-400/95	48	26	26	650	95	280	15	163	6.0	1
NY-500/35.1	LGJ-500/35	52	16	20	618	78	245	13	114	5.1	2
NY-500/45.1	LGJ-500/45	52	18	20	618	78	245	13	122	5.2	2
NY-500/65.1	LGJ-500/65	52	22	22	620	78	245	13	146	5.5	2
NY-630/45.1	LGJ-630/45	60	18	22	650	78	290	13	141	7.1	2
NY-630/55.1	LGJ-630/55	60	20	22	650	78	290	13	156	7.2	2

线夹本体和引流线夹为铝制件，其余为热镀锌钢制作。如引流线夹为30℃，则型号后加B。

The clamp body and jumper clamp are aluminium, the other parts are hot-dip galvanized steel.



(图 1) (Fig.1)



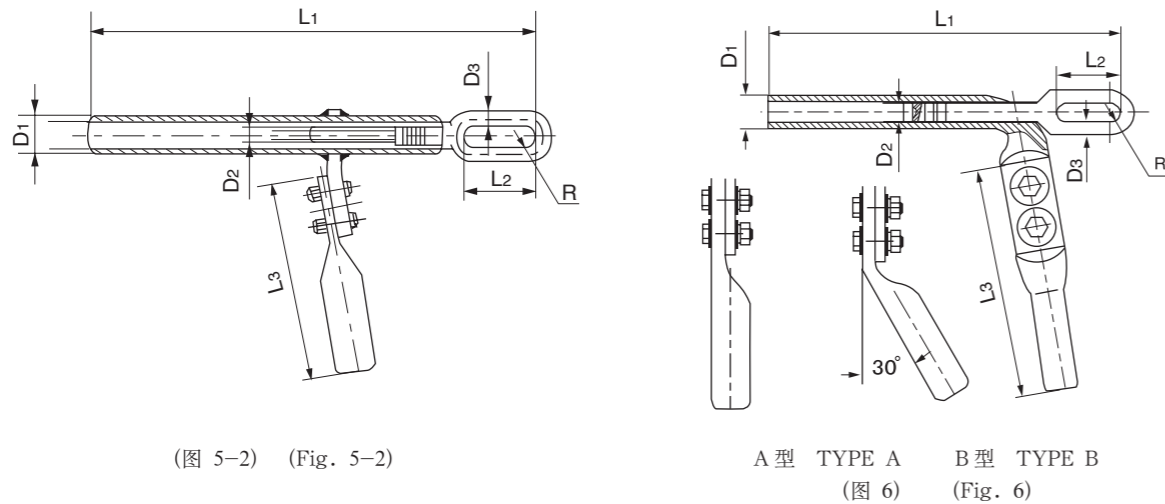
(图 2) (Fig.2)

5-2

型号 Catalog No.	适用导线 Suitable Conductor	主要尺寸 Dimensions (mm)							握力 Slip Strength (kN)	重量 Weight (kg)
		D1	D2	D3	L1	L2	L3	R		
NY-720/50	LGJ-720/50	60	20	26	650	110	325	15	163	7.2
NY-720/90	ACSR-720/90	60	26	26	750	110	325	17	210	8.2
NYH-720/50	LGJ-720/50	52	20	26	650	110	325	15	163	6.7
NYH-720/50H	AACSR-720/50	60	20	26	775	110	325	17	242	8.1

线夹本体和引流线夹为铝制品，其余为热镀锌钢制品。如引流线夹为30°，则型号后加B。(图 5-2)

The clamp body and jumper clamp are aluminium, the other parts are hot-dip galvanized steel.(Fig. 5-2)



6. 耐张线夹 (爆压型)

Strain Clamps (Explosive Compression Type)

型号 Catalog No.	适用导线 Suitable Conductor	主要尺寸 Dimensions (mm)							握力 Slip Strength (kN)	重量 Weight (kg)
		D1	D2	D3	L1	L2	L3	R		
NB-185/25	LGJ-185/25	34	18	16	420	55	255	9	56.5	2.4
NB-185/30	LGJ-185/30	34	18	16	420	55	255	9	61	2.4
NB-240/40	LGJ-240/40	38	22	18	410	55	240	11	79	2.6
NB-300/25	LGJ-300/25	40	22	16	440	60	255	11	80	2.7
NB-240/30A(B)	LGJ-240/30	38	22	18	415	55	240	11	72	2.6
NB-300/40A(B)	LGJ-300/40	40	22	18	420	55	265	11	88	2.4
NB-300/50A(B)	LGJ-300/50	40	24	18	465	65	265	12	98	2.7
NB-300/70A(B)	LGJ-300/70	42	24	20	485	70	265	12	122	2.9
NB-400/35A(B)	LGJ-400/35	45	24	18	465	65	280	12	99	3.5
NB-400/50A(B)	LGJ-400/50	45	24	20	470	70	280	12	117	3.1
NB-400/65A(B)	LGJ-400/65	48	26	20	500	75	280	13	128	3.8
NB-400/95A(B)	LGJ-400/95	48	28	22	535	80	280	14	163	3.9

线夹本体和引流线夹为铝制品，其余为热镀锌钢制品。(图 6)

The clamp body and jumper clamp are aluminium, the other parts are hot-dip galvanized steel.(Fig. 6)

7. 钢绞线用耐张线夹 (液压型)

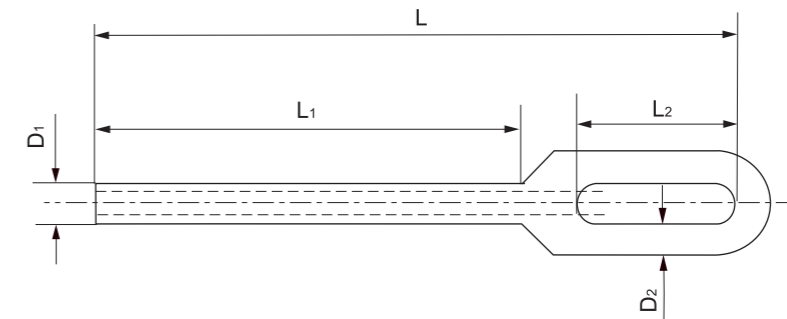
Strain Clamps for Steel Wire (Hydraulic Compression Type)

7-1

型号 Catalog No.	适用钢绞线外径 Suitable Steel Wire (mm)	主要尺寸 Dimensions (mm)					握力 Slip Strength (kN)	重量 Weight (kg)
		D1	D2	L1	L2	L		
NY-35G	7.8	16	16	115	50	210	45	0.6
NY-50G	9.0	18	16	130	55	230	60	0.7
NY-60G	10.0	20	16	135	100	280	73	1.2
NY-70G	11.0	22	18	155	110	315	88	1.3
NY-80G	11.5	24	18	170	75	300	90.2	1.2
NY-100G	13.0	26	20	185	135	365	123	1.7
NY-120G	14.0	28	22	195	70	325	143	1.9
NY-125G	14.5	32	22	250	80	400	165	2.6
NY-135G	15.0	30	22	215	80	365	164	2.4
NY-150G	16.0	32	24	230	90	390	187	2.8
NY-180G	17.5	37	30	290	110	490	268	5.0
NY-225G	19.3	40	30	340	122	592	310	6.1
NY-230G	19.5	40	30	340	110	540	320	5.9
NY-265G	21.7	46	32	340	110	550	415	6.5
NY-50GC	9.0	20	16	155	55	260	70	0.8
NY-70GC	11.0	26	20	160	70	285	96	1.2
NY-80GC	11.5	26	20	170	120	335	103	1.4
NY-100GE	13.0	30	22	220	75	370	150.5	2.2
NY-120GD	14.0	32	24	210	90	365	175	2.7
NY-135GC	15.0	32	24	256	85	405	196	2.9
NY-150GC	16.0	34	26	285	97	477	199	3.1
NY-165GC	16.8	35	26	290	98	468	223	3.2

热镀锌钢件。

Hot-dip galvanized steel.

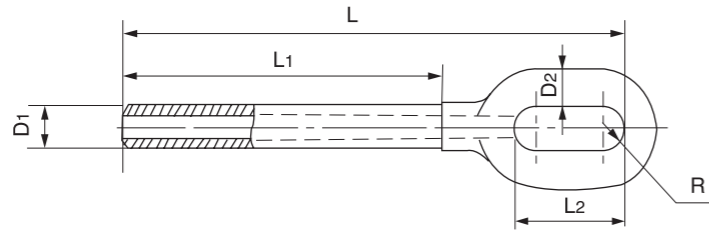


(图 7-1) (Fig. 7-1)

7-2

型号 Catalog No.	适用钢绞线外径 Suitable Steel Wire (mm)	主要尺寸 Dimensions (mm)						握力 Slip Strength (kN)	重量 Weight (kg)
		D1	D2	L1	L2	L	R		
NY-60.1GE	9.6	22	16	140	50	220	10	63.5	0.7
NY-80.1G	11.5	24	18	170	77	290	12	100	1.0
NY-100T.1	13.0	28	26	240	110	416	13	140	2.2
NY-100.1G	13.0	26	20	205	78	313	13	110	1.4
NY-100GC	13.0	28	22	220	83	340	13	132.3	1.7
NY-100.1GE	13.0	30	22	220	83	350	13	150.5	2.2
NY-125.1G	14.5	28	22	225	83	360	13	136.3	1.9
NY-180GE	17.5	38	30	250	115	425	19	245.4	3.7

热镀锌钢制件。
Hot-dip galvanized steel.

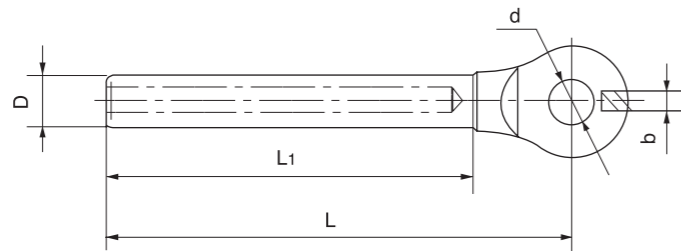


(图 7-2) (Fig. 7-2)

7-3

型号 Catalog No.	适用钢绞线外径 Suitable Steel Wire (mm)	主要尺寸 Dimensions (mm)					握力 Slip Strength (kN)	重量 Weight (kg)
		D	b	d	L1	L		
NY-100T	13.0	26	20	24	205	315	122	1.2
NY-150T	16.0	34	26	30	270	370	187	2.4
NY-150GA	16.0	34	26	30	260	360	200	2.6
NY-180GE1	17.5	38	30	33	255	365	245.4	3.4
NY-180T	17.5	40	32	39	310	420	267.2	4.5
NY-196G	18.2	38	34	39	310	420	261	4.2
NY-215G	19.0	42	34	39	320	435	310	4.9
NY-240G	20.0	42	44	51	310	450	310	6.4

热镀锌钢制件。
Hot-dip galvanized steel.



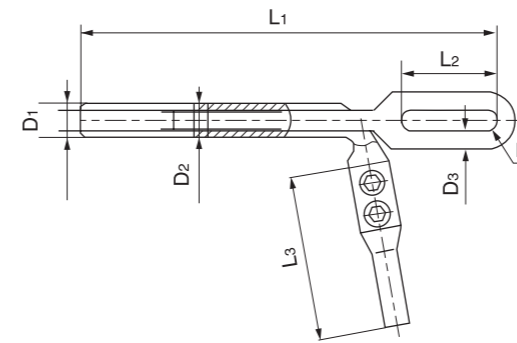
(图 7-3) (Fig. 7-3)

8. 铝包钢芯铝绞线用耐张线夹 (液压型)
Strain Clamps For ACSR/AS Conductor (Hydraulic Compression Type)

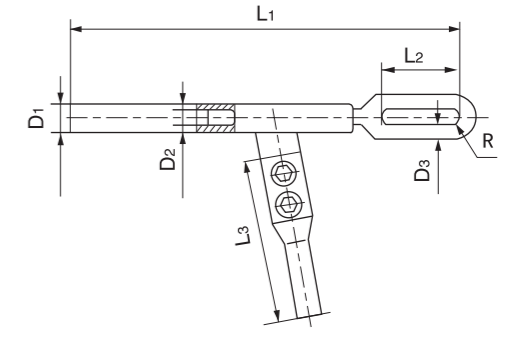
型号 Catalog No.	适用导线 Suitable Conductor	主要尺寸 Dimensions (mm)							握力 Slip Strength (kN)	重量 Weight (kg)	简图 Fig No.
		D1	D2	D3	L1	L2	L3	R			
NY-50/30BG	JL/JB14-50/30	32	16	16	465	65	215	10	43.3	2.1	1
NY-80/47BG	ACSR/AS-80/47	36	18	16	475	70	230	10	64.6	3.1	1
NY-95/55BG	LLBJ-95/55	36	20	18	486	61	230	11	74.0	3.0	1
NY-120/70BG	JL/LB20A-120/70	36	22	20	550	70	240	13	96.0	3.6	1
NY-185/30BG	ACSR/AS-185/30	36	16	16	540	55	220	9	62.9	2.9	1
NY-185/45BG	LLBJ-185/45	36	18	18	580	65	265	11	78.8	3.2	1
NY-240/30BG	ACSR/AS-240/30	38	18	18	550	55	240	11	73.7	3.2	1
NY-240/40BG	ACSR/AS-240/40	38	18	18	595	65	240	12	81.6	3.3	1
NY-300/25BG	LLBJ-300/25	42	14	18	560	55	265	11	74.4	3.6	1
NY-300/40BG	ACSR/AS-300/40	42	18	18	615	70	265	13	90.0	3.8	1
NY-300/50BG	ACSR/AS-300/50	42	18	18	620	70	265	13	101.0	4.1	1
NY-300/70BG	LLBJ-300/70	42	22	20	625	70	265	13	117.8	4.4	1
NY-400/35BG	LLBJ-400/35	48	18	20	635	65	280	13	99.0	5.2	1
NY-400/50BG	LLBJ-400/50	48	20	20	645	65	280	13	117.0	5.2	1
NY-500/45BG	ACSR/AS-500/45	56	20	20	650	70	245	14	124.0	5.2	2
NY-630/45BG	ACSR/AS-630/45	60	20	22	695	75	290	16	144.0	7.8	2
NY-70/40BG-20	JL/LB20A-70/40	34	16	16	495	65	180	10	57.8	2.2	1
NY-100BG-20	LBGJ-100	38	26	20	455	75	220	12	115.58	2.9	1
NY-300/25BG-20	JL/LB20A-300/25	42	16	18	560	55	265	11	80.4	3.3	1

线夹本体和引流线夹为铝制件，其余为热镀锌钢制件。如引流线夹为 30℃，则型号后加 B。

The clamp body and jumper clamp are aluminium. The other parts are hot-dip galvanized steel.



(图 1) (Fig. 1)



(图 2) (Fig. 2)

9. 铝包钢绞线用耐张线夹 (液压型)

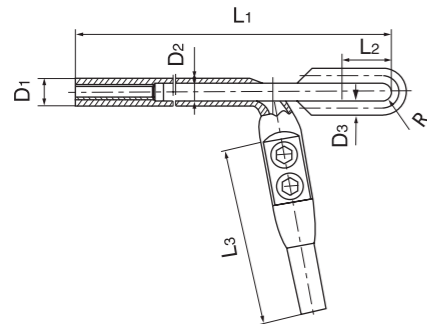
Strain Clamps for AS. Stranded Wire (Hydraulic Compression Type)

9-1

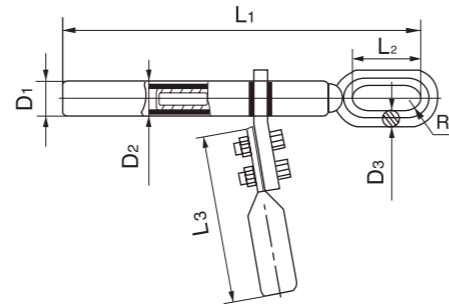
型号 Catalog No.	适用导线 Suitable Conductor	主要尺寸 Dimensions (mm)							握力 Slip Strength (kN)	重量 Weight (kg)
		D1	D2	D3	L1	L2	L3	R		
NY-50BG	LB20J-50	32	18	16	330	64	195	10	55.8	1.8
NY-55BG	JL20A-55DE	32	20	16	385	65	215	10	64.6	1.8
NY-70BG	JLB4-70	32	20	16	380	50	185	10	65.8	1.7
NY-80BG	LB20J-80	36	24	18	357	67	225	12	85.0	2.5
NY-90BG	JLB30-95	36	24	18	490	65	225	12	71.0	2.7
NY-120BG	JLB3-120	36	26	20	375	83	215	13	91.2	2.7
NY-150BG	LB40J-150	42	26	18	403	73	190	13	90.6	2.6
NY-150.1BG	LB20J-150	45	32	30	556	126	280	16	167.0	7.3
NY-240BG	LB27J-240	50	36	30	585	110	280	18	221.3	7.8
NY-35BG-27	JLB2-35	28	15	12	320	60	190	9	35.3	1.3
NY-70BG-20	LB20J-70	34	24	18	400	65	185	11	80.5	2.0
NY-90BG-27	JLB2-90	36	24	20	445	78	220	13	92.7	2.6
NY-120BG-30	JLB3-120	36	26	20	375	83	215	13	91.2	2.7
NY-120BG-40	JLB4-120	36	24	18	450	60	235	12	70.5	2.6
NY-150BG-40	JLB4-150	38	26	18	470	65	255	13	86.1	3.2
NY-185BG1-20	JLB20A-185	48	34	26	584	100	280	17	198.5	6.9

线夹本体和引流线夹为铝制件, 其余为热镀锌钢制件。(图9-1)

The clamp body and jumper clamp are aluminium. The other parts are hot-dip galvanized steel. (Fig.9-1)



(图 9-1) (Fig. 9-1)



(图 9-2) (Fig. 9-2)

9-2

型号 Catalog No.	适用导线 Suitable Conductor	主要尺寸 Dimensions (mm)							握力 Slip Strength (kN)	重量 Weight (kg)
		D1	D2	D3	L1	L2	L3	R		
NY-120BG-20	JLBA-120	42	30	22	488	83	240	13	152.7	3.8
NY-150BG-14	JLB14-150	50	34	26	620	110	-	17	196.3	4.7
NY-240BG-14	LBGJ-240-14AC	60	44	30	720	115	-	19	344.8	7.4
NY-300.1BG	JLB30-300	60	40	26	865	110	265	17	210	9.1
NY-380BG	JLB30-380	60	45	36	810	130	240	22	269.3	9.7
NY-420BG	JLB2-420	70	50	36	921	150	240	20	357.8	15.8

线夹本体和引流线夹为铝制件, 其余为热镀锌钢制件。(图9-2)

The clamp body and jumper clamp are aluminium. The other parts are hot-dip galvanized steel. (Fig.9-2)

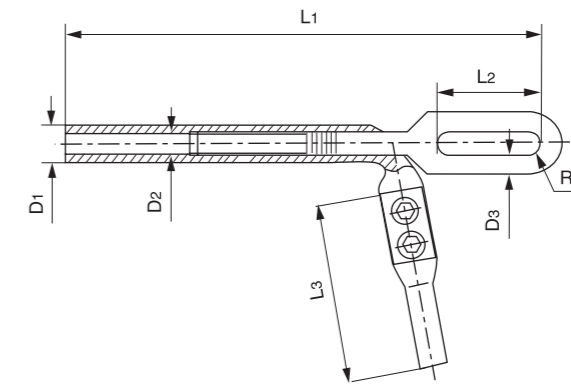
10. 钢芯铝合金绞线用耐张线夹 (液压型)

Strain Clamps for AACSR (Hydraulic Compression Type)

型号 Catalog No.	适用导线 Suitable Conductor	主要尺寸 Dimensions (mm)							握力 Slip Strength (kN)	重量 Weight (kg)
		D1	D2	D3	L1	L2	L3	R		
NY-70/40H	LHBGJ-70/40	36	16	16	490	55	210	10	63.5	4.2
NY-90/43H	LHGJJ-90	34	18	16	505	55	220	11	64.8	2.5
NY-95/18HG	HL4GJ-95	28	18	20	420	60	205	7.5	48.5	2.5
NY-95/55HG	LHBGJ-95/55	34	20	18	465	70	260	10	86	2.4
NY-120/20HG	HL4GJ-120	32	14	16	505	65	210	10	58.1	0.8
NY-120/22HG	HL4GJ-120	30	12	16	425	50	215	7.5	58.1	2.1
NY-120/25H	AACSR-120/25	36	14	16	480	60	210	10	61	3.2
NY-150/25HG	LHBGJ-150/25	40	16	18	490	65	240	12	68.6	3.5
NY-150/27HG	HL4GJ-150	34	14	16	470	50	240	8	68	3.0
NY-185/30HG	LHBGJ-185/30	42	16	18	525	65	240	12	82.6	3.8
NY-185/34HG	HL4GJ-185	38	15	18	505	50	250	9	88.1	3.5
NY-185/45HG2	AACSR-185/45	42	18	20	505	70	265	11.5	96	3.5
NY-240/43HG	HL4GJ-240	45	18	20	560	60	260	16	106.8	3.7
NY-240/40HG1	LH8GJ-240/40	45	16	20	670	70	280	12	109	4.5
NY-300/HJ	LH4GJT-240/55	50	22	24	635	90	275	12	160	4.4
NY-300HGJ(F)	HL4GJJ-300	50	22	24	650	90	280	14	160	4.9
NY-300/60HG	HL4GJ-300	50	20	24	675	70	270	12	153	4.4
NY-300/70H	LH4GJT-300/70	50	22	22	745	116	265	16	160	6.5
NY-300/70HG	LHAGJ-300/70	55	28	26	855	110	265	17	200.2	8.1
NY-300/70HG1	LHBGJ-300/70	48	24	24	860	80	280	15	160	6.2
NY-300/70HGJ	HLGJJ-300	50	28	22	550	70	265	14	200.2	5.1
NY-400/35HA	LHGJ-400/35	55	18	22	655	83	270	13.7	158	5.9
NY-400/35HB	LHGJ-400/35	55	18	22	655	83	270	13.7	158	5.9
NY-400/72HG	HL4GJ-400	55	22	24	690	75	270	13	184.8	5.7
NY-400/95HT	LH8GJ-400/95	55	26	30	850	125	280	22	215	10.0

线夹本体和引流线夹为铝制件, 其余为热镀锌钢制件。

The clamp body and jumper clamp are aluminium, the other parts are hot-dip galvanized steel.



11. 耐热铝合金绞线用耐张线夹 (液压型)

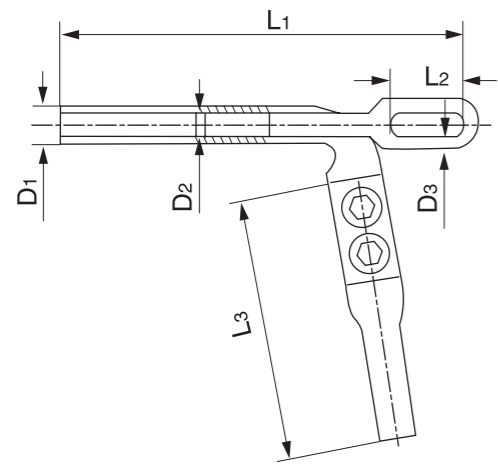
Strain Clamps for HRAAS Conductor (Hydraulic Compression Type)

11-1

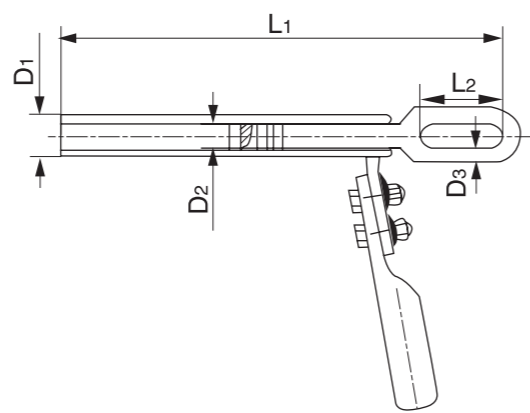
型号 Catalog No.	适用导线 Suitable Conductor	主要尺寸 Dimensions (mm)						握力 Slip Strength (kN)	重量 Weight (kg)	简图 Fig No.
		D1	D2	D3	L1	L2	R			
NY-185/30N	NRLH60GJ-185/30	36	16	16	545	55	10	63.0	2.6	1
NY-210/10N	NRLH58GJ-210/10	45	14	18	520	55	10	68.9	4.0	2
NY-240/30N	NRLH60GJ-240/30	45	18	18	545	55	10	68.0	4.4	1
NY-240/40N	NRLH60GJ-240/40	45	16	18	610	70	10.5	65.0	4.4	1
NY-300/25N	NRLH58GJ-300/250	50	16	18	633	65	11	75.8	6.0	2
NY-300/40N	NRLH60GJ-300/40	50	18	18	575	65	12	85.4	6.5	1
NY-300/50N	NRLH60GJ-300/50	50	18	18	575	65	12	96.0	6.5	1
NY-400/25N	NRLH60GJ-400/25	55	16	18	575	60	13	82.0	6.8	2
NY-400/35N	NRLH60GJ-400/35	55	18	20	605	65	13.5	93.6	7.2	2
NY-400/50N	NRLH60GJ-400/50	55	20	20	635	65	13.5	102.0	7.6	2
NY-500/35N	NRLH60GJ-500/35	65	20	20	728	70	14	103	11.2	2
NY-500/45N	NRLH60GJ-500/45	65	20	20	615	70	14	117.1	8.1	2
NY-630/45N	NRLH60GJ-630/45	70	20	22	770	70	16	133.6	8.6	2

线夹本体和引流线夹为铝制件，其余为热镀锌钢制件。

The clamp body and jumper clamp are aluminium, the other parts are hot-dip galvanized steel.



(图 11-1.1) (Fig.11-1.1)



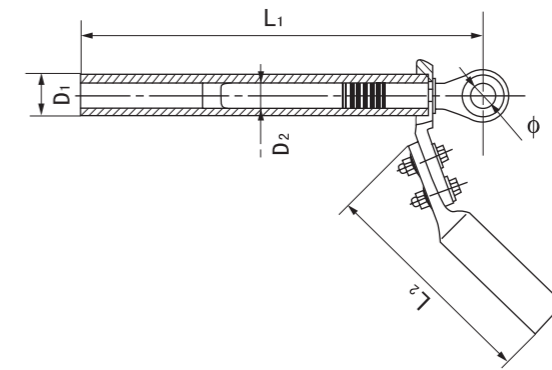
(图 11-1.2) (Fig.11-1.2)

11-2

型号 Catalog No.	适用导线 Suitable Conductor	主要尺寸 Dimensions (mm)					握力 Slip Strength (kN)	重量 Weight (kg)
		D1	D2	φ	L1	L2		
NY-530N	KTACSR/EST-530	70	37	45	950	420	467	17.2
NY-610N	KTACSR/EST-610	76	48	45	1115	420	532	26.2
NY-720N	KTACSR/EST-720	76	42	45	1022	410	600	20.0

线夹本体和引流线夹为铝制件，其余为热镀锌钢制件。

The clamp body and jumper clamp are aluminium, the other parts are hot-dip galvanized steel.



(图 11-2) (Fig.11-2)

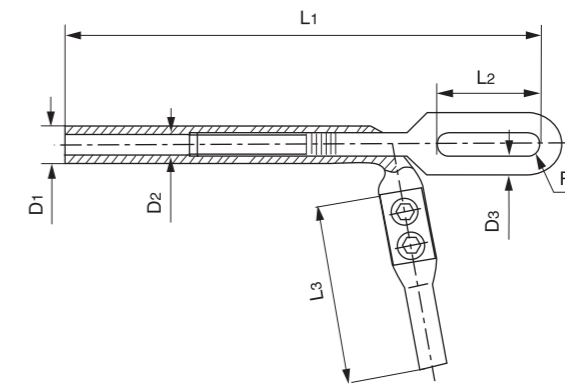
12. 铝合金绞线用耐张线夹 (液压型)

Strain Clamps for LHAJ (Hydraulic Compression Type)

型号 Catalog No.	适用导线 Suitable Conductor	主要尺寸 Dimensions (mm)							握力 Slip Strength (kN)	重量 Weight (kg)
		D1	D2	D3	L1	L2	L3	R		
NY-120H	LHAJ-120	30	16	12	445	50	210	9	32.0	1.6
NY-185H	LHAJ-185	40	19	16	480	55	255	9	53.3	2.8
NY-300H	LHAJ-300	48	24	18	600	70	280	11	79.5	4.5

线夹本体和引流线夹为铝制件，其余为热镀锌钢制件。

The clamp body and jumper clamp are aluminium, the other parts are hot-dip galvanized steel.



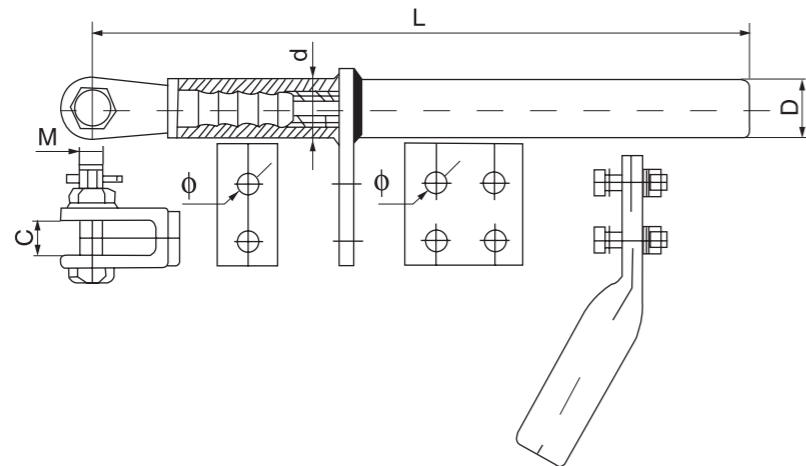
13. 耐张线夹 (压缩型)

Compression Dead-End Clamp

型号 Catalog No.	适用导线 Suitable Conductor	主要尺寸 Dimensions(mm)						握力 Slip Strength (kN)	重量 Weight (kg)
		D	d	L	C	φ	M		
NYC-95/15	DIN48204-95/15	32	14	365	24	14	16	33.32	1.65
NYC-95/55	DIN48204-95/55	34	20	405	24	14	16	73.95	2.50
NYC-120/20	DIN48204-120/20	32	14	385	24	14	16	42.54	2.10
NYC-120/70	DIN48204-120/70	42	22	475	24	14	20	93.20	4.10
NYC-150/25	DIN48204-150/25	34	14	405	24	14	16	51.49	2.25
NYC-170/40	DIN48204-170/40	34	16	410	24	14	16	71.53	2.30
NYC-185/30	DIN48204-185/30	34	16	410	24	14	16	61.70	2.60
NYC-240/40	DIN48204-240/40	38	16	460	24	14	18	80.52	3.05
NYC-240/55	DIN48204-240/55	38	20	460	24	14	20	97.00	3.10
NYC-300/50	DIN48204-300/50	42	20	480	24	14	20	99.72	3.76
NYC-340/30	DIN48204-340/30	42	16	480	24	14	20	86.58	3.60
NYC-350/79	DIN48204-350/79	48	24	520	24	14	22	157.96	4.52
NYC-360/60	DIN48204-360/60	48	20	520	24	14	20	131.02	4.31
NYC-435/55	DIN48204-435/55	48	20	520	24	14	20	127.16	4.35
NYC-450/40	DIN48204-450/40	48	16	520	24	14	20	112.53	4.30
NYC-490/65	DIN48204-490/65	52	22	575	24	14	22	142.68	5.30
NYC-490/110	DIN48204-490/110	60	26	590	24	14	24	211.55	6.70

线夹本体、引流线夹为铝制件，闭口销为不锈钢制件，其余为热镀锌钢制件。

The body and jumper clamp are made of aluminium, cotter-pin is made of stainless steel, other parts are made of hot-dip galvanized steel.



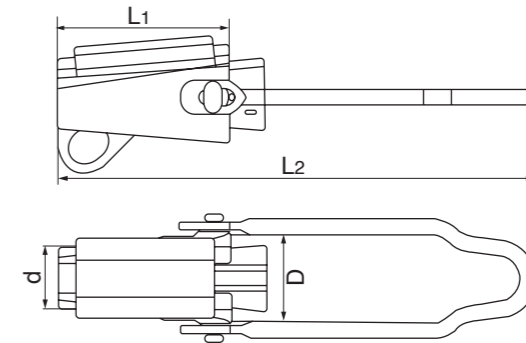
14. 集束型导线楔型耐张线夹

Wedge Type Dead End Clamp

型号 Catalog No.	适用导线 Suitable Conductor	主要尺寸 Dimensions (mm)				握力 Slip Strength	破坏荷重 Rated Failure Load (kN)	重量 Weight (kg)
		L1	L2	D	d			
TW-50	LJ-50	130	366	58.12	50.00	5600	7.01	0.65
TW-70	LJ-70	130	366	58.12	50.00	82800	10.35	0.65
TW-95	LJ-95	130	366	58.12	50.00	10982	13.73	0.65
TW-120	LJ-120	130	366	58.12	50.00	13900	17.34	0.85
TW-150	LJ-150	130	366	58.12	50.00	16800	21.03	0.85
TW-185	LJ-185	144	380	64.52	54.45	21400	26.73	1.05
TW-240	LJ-240	144	380	64.52	54.45	27800	34.68	1.05

配电线路使用，适用于集束型、绝缘铜绞线等。

Used for Distributiongrid Aerial Bundled Cable (ABC)



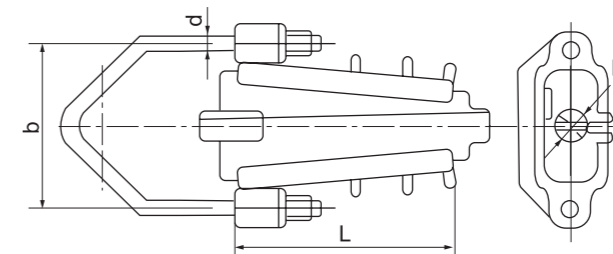
15. 楔型耐张线夹

Wedge Type Dead End Clamp

型号 Catalog No.	适用导线 Suitable Conductor	主要尺寸 Dimensions (mm)				重量 Weight (kg)
		b	d	D	L	
NJX-1	JKLYJ-240	128	12	27	170	2.0
NJX-1	JKLYJ-185	128	12	27	170	2.0
NJX-2	JKLYJ-240	128	12	23	170	2.0
NJX-2	JKLYJ-120	128	12	23	170	2.0
NJX-3	JKLYJ-95	108	12	20	160	1.6
NJX-3	JKLYJ-70	108	12	20	160	1.6
NJX-3	JKLYJ-50	108	12	20	160	1.6

楔型耐张线夹用于绝缘导线，本体为铝合金制件，楔块为硬塑料，其余为热镀锌钢制件。

Used for Aerial Bundled Cable (ABC). The body is made of aluminium alloy, the wedge is made of UV resistant plastic. Others are made of hot-dip galvanized steel.



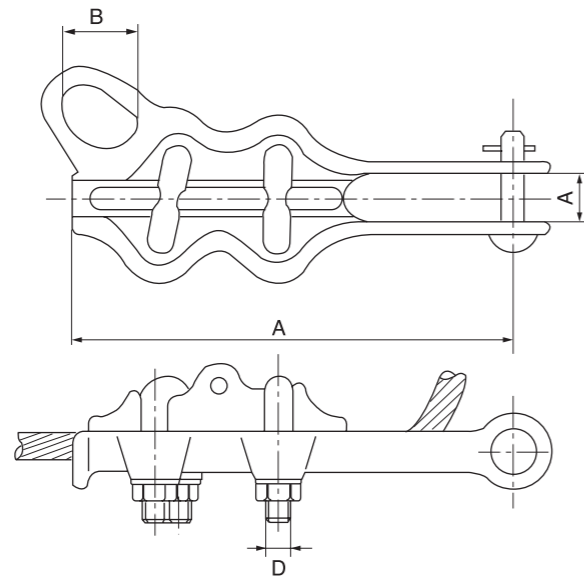
16. 铝合金耐张线夹 (直线型)

Aluminium alloy Strain Clamp (Straight line type)

型号 Catalog No.	导线外径 Conductor Dia (mm)	主要尺寸 Dimensions (mm)				U型螺丝数量 U Bolt No.	破坏荷重 Rated Failure Load (kN)	重量 Weight (kg)
		A	B	C	D			
NLZ-1L	3.8~9.4	114	25.4	18	16	2	30	0.60
NLZ-2L	5.8~10.4	206	25.4	19	16	2	35	0.84
NLZ-3L	7.6~15.2	210	22.2	22	16	2	55	1.05
NLZ-4L	11.7~22.4	260	25.4	19	16	2	55	1.34

线夹本体、压条为铝合金。

The body and keeper are made of Aluminium alloy. cotter-pin is made of stainless steel. Other parts are made of hot-dip galvanized steel.



三、联结金具

LINK FITTING

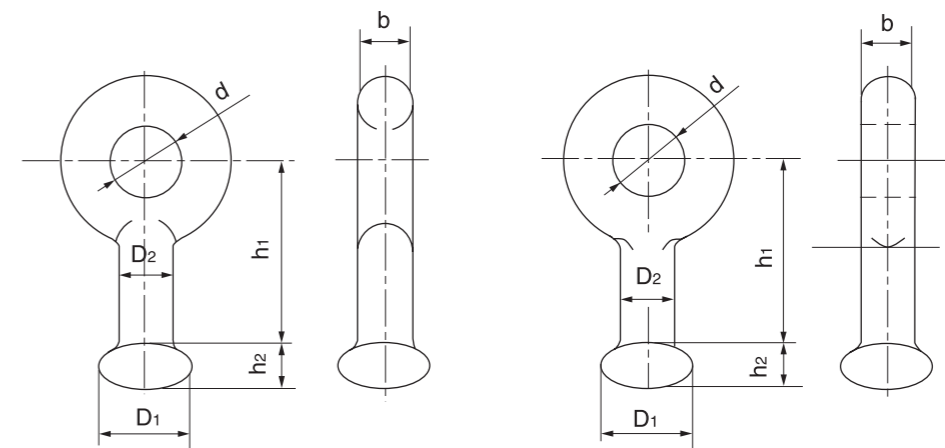
1. 球头挂环 (Q、QP 型)

Ball Eyes (Type Q、QP)

型号 Catalog No.	主要尺寸 Dimensions (mm)						破坏荷重 Rated Failure Load (kN)	重量 Weight (kg)
	D1	D2	d	b	h1	h2		
Q-7	33.3	17	22	16	50	13.4	70	0.3
QP-4	22.8	12	14	12	35	9.1	40	0.1
QP-7	33.3	17	22	16	50	13.4	70	0.3
QP-10	33.3	17	22	16	50	13.4	100	0.3
QP-12	33.3	17	24	17	55	13.4	120	0.4
QP-12G	33.3	17	24	17	60	13.4	120	0.4
QP-16	41.0	21	26	20	60	19.5	160	0.5
QP-21	49.0	25	30	24	80	21.0	210	1.0
QP-21D	41.0	21	29	21	70	19.5	210	1.0
QP-25	49.0	25	33	28	80	21.0	250	1.1
QP-30	49.0	25	39	28	80	21.0	300	1.1
QP-16S	41.0	21	26	18	60	19.5	160	0.5
QP-21S	41.0	21	26	20	80	19.5	210	0.7
QP-25S	49.0	25	30	24	80	21.0	250	1.0
QP-32S	49.0	25	33	28	80	21.0	320	1.2
QP-42S	57.0	29	39	32	100	23.5	420	1.5
QP-53S	65.0	33	45	36	110	27.0	530	2.6

钢制件，热镀锌。

Hot-dip galvanized steel.



Q型 Type Q

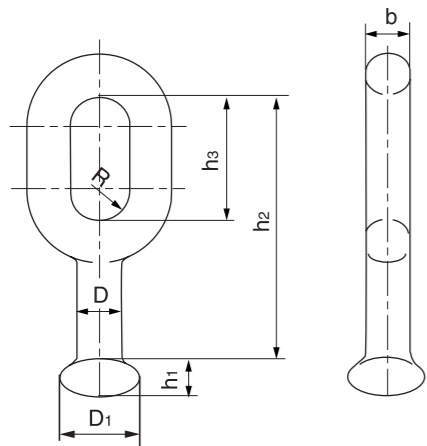
QP型 Type QP

2. 球头挂环 (QH型)
Ball Eyes (Type QH)

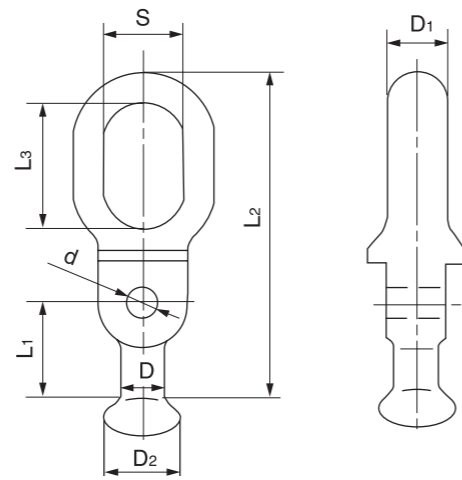
型号 Catalog No.	主要尺寸 Dimensions (mm)							破坏荷重 Rated Failure Load (kN)	重量 Weight (kg)
	h1	h2	h3	R	D	D1	b		
QH-7	13.4	114	57	11	17	33.3	16	70	0.6
QH-10	13.4	110	60	11	17	33.3	18	100	1.1
QH-12	13.4	120	63	11	17	33.3	19	120	1.3
QH-16S	19.5	155	100	17	21	41.0	20	160	1.2
QH-21S	19.5	155	100	17	21	41.0	20	210	1.2
QH-25S	21.0	165	100	17	25	49.0	24	250	1.8
QH-32S	21.0	175	110	17	25	49.0	28	320	2.2
QH-42S	23.5	200	120	20	29	57.0	32	420	3.4
QH-21220S	19.5	220	150	17	21	41.0	20	210	1.7

钢制件, 热镀锌。(图 2)

Hot-dip galvanized steel.(Fig. 2)



(图 2) (Fig. 2)



(图 3) (Fig. 3)

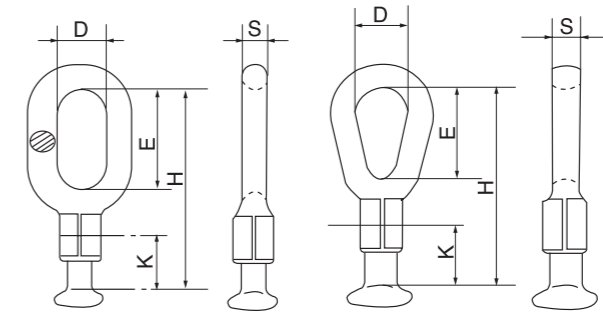
3. 球头挂环 (环孔平行型)
Ball Eyes (Parallel Type)

型号 Catalog No.	主要尺寸 Dimensions (mm)								破坏荷重 Rated Failure Load (kN)	重量 Weight (kg)
	L1	L2	L3	S	D	D1	D2	d		
Q-7M	40	136	55	20	16	16	33.3	14	70	1.1
Q-12M	40	145	70	24	17	16	33.3	14	120	1.3
Q-7AH	60	130	50	18	16	16	33.3	14	70	1.0
Q-7M1	40	130	55	22	17	16	33.3	14	70	1.1
Q-12AH	42	145	70	22	17	18	33.3	14	120	1.2
Q-20M1	56	145	65	30	21	20	41.0	14	200	1.4

钢制件, 热镀锌。(图 3)

Hot-dip galvanized steel.(Fig. 3)

4. 球头挂环
Ball Eye (Horn holder type)



(图 1) (Fig. 1) (图 2) (Fig. 2)

型号 Catalog No.	简图 Fig. No.	主要尺寸 Dimensions (mm)					球头尺寸代号 Ball IEC Code	破坏荷重 Rated Failure Load (kN)	重量 Weight (kg)
		D	E	H	K	S			
Q-7CH	1	20	50	120	39	16	16mmA.B	70	0.50
Q-12CH	1	34	70	143	39	18	16mmA.B	120	0.75
Q-16CH	1	34	70	146	42	20	20mm	160	1.10
Q-21CH	2	34	70	146	42	20	20mm	210	1.10

钢制件, 热镀锌。

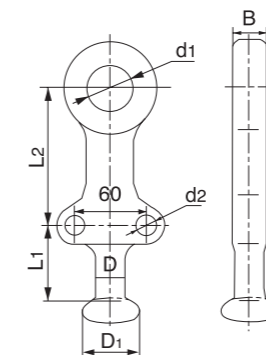
Made of hot-dip galvanized drop forged steel.

5. 球头挂板
Ball Eyes

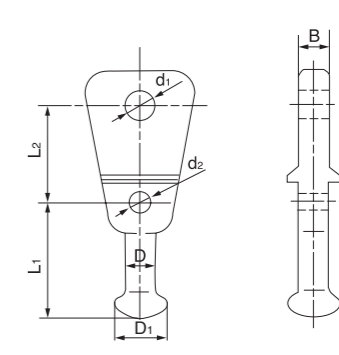
型号 Catalog No.	简图 Fig. No.	主要尺寸 Dimensions (mm)							破坏荷重 Rated Failure Load (kN)	重量 Weight (kg)
		L1	L2	D	D1	d1	d2	B		
Q-7P	2	42	60	17	33.3	18	14	16	70	1.1
Q-12P	2	57	65	17	33.3	24	14	16	120	1.3
Q-16P	2	60	70	21	41.0	26	14	20	160	1.0
QP-21A	2	55	64	21	41.0	29	14	24	210	1.4
QP-7AH	2	70	60	17	33.3	18	14	16	70	0.8
QP-16AH	2	70	70	21	41.0	26	14	18	160	0.9
QP-32AH	1	60	115	25	49.0	39	18	28	320	2.5
QP-32AS	1	60	115	25	49.0	33	18	28	320	2.5

钢制件, 热镀锌。

Hot-dip galvanized steel.



(图 1) (Fig. 1)



(图 2) (Fig. 2)

6. U型球头

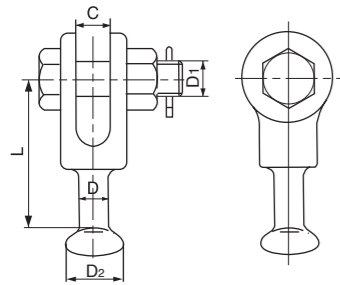
U Type Ball Eyes

6-1 无角隙型

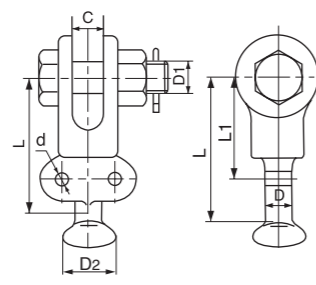
型号 Catalog No.	主要尺寸 Dimensions (mm)					破坏荷重 Rated Failure Load (kN)	重量 Weight (kg)
	C	D1	D2	D	L		
Q-7U	19	16	33.3	16	75	70	0.9
Q-10U	20	18	33.3	17	80	100	0.7
Q-12U	20	22	33.3	17	75	120	1.0
Q-16U	22	24	41.0	20	80	160	1.1
Q-21U	24	24	41.0	20	85	210	1.5
Q-30U	32	30	49.0	25	120	300	3.2
Q-32U	32	30	49.0	25	120	320	3.2
Q-70U	22	16	33.3	17	75	70	0.7
QU-12	22	22	33.3	17	75	120	1.2
QU-16	24	24	41.0	21	80	160	1.4
QS-21	24	24	41.0	21	102	210	1.6
QS-30	30	30	49.0	25	110	300	2.1
QU-1610	24	24	41.0	21	100	160	1.4

钢制件，热镀锌。(图 6-1)

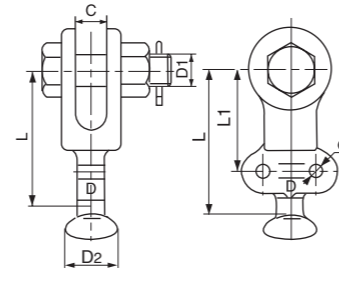
Hot-dip galvanized steel.(Fig. 6-1)



(图 6-1) (Fig. 6-1)



(图 6-2.1) (Fig. 6-2.1)



(图 6-2.2) (Fig. 6-2.2)

6-2 带角隙安装孔型

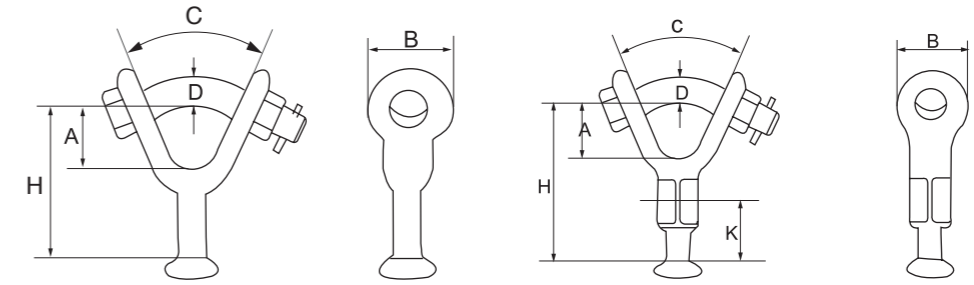
型号 Catalog No.	简图 Fig. No.	主要尺寸 Dimensions (mm)							破坏荷重 Rated Failure Load (kN)	重量 Weight (kg)
		C	D1	D2	D	L1	L	d		
QU-12AH	2	24	16	33.3	17	70	112	14	120	0.9
QU-12CAH	1	24	16	33.3	17	70	112	14	120	0.9
QU-16AH	2	24	20	41.0	21	85	132	14	160	1.6
QU-16CAH	1	24	20	41.0	21	85	132	14	160	1.6

钢制件，热镀锌。(图 6-2)

Hot-dip galvanized steel.(Fig. 6-2)

7. 球头挂板

Ball Clevis



(图 1) (Fig. 1)

(图 2) (Fig. 2)

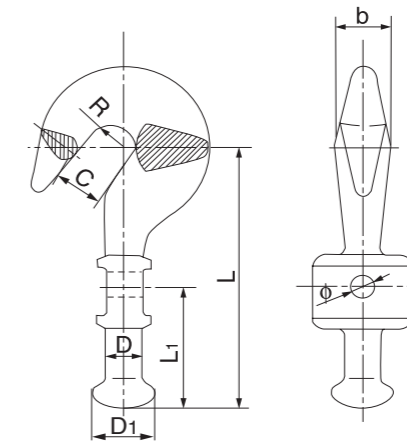
型号 Catalog No.	简图 Fig. No.	主要尺寸 Dimensions (mm)						球头尺寸代号 Ball IEC Code	破坏荷重 Rated Failure Load (kN)	重量 Weight (kg)
		A	B	C	D	H	K			
QB-7Y	1	38	40	45°	16	75	-	16mmA.B	70	0.55
QB-10Y	1	40	42	45°	18	75	-	16mmA.B	100	0.78
QB-12Y	1	40	44	45°	18	82	-	16mmA.B	120	0.80
QB-7YH	2	38	40	45°	16	105	39	16mmA.B	70	0.72
QB-10YH	2	40	42	45°	18	112	42	16mmA.B	100	0.98
QB-12YH	2	40	44	45°	18	112	42	16mmA.B	120	1.20

球头挂板均为锻钢件、热镀锌。球头尺寸按照 IEC, GB 或 ANSI 标准。

The body is made of forged drop steel, Balls sizes are in accordance with IEC, GB or ANSI standards.

8. 球头钩

Ball Hooks



型号 Catalog No.	主要尺寸 Dimensions (mm)								破坏荷重 Rated Failure Load (kN)	重量 Weight (kg)
	L	L1	b	C	D	D1	R	φ		
QG-7	154	55	32	22	17	33.3	11	14	70	1.5

钢制件，热镀锌。

Hot-dip galvanized steel.

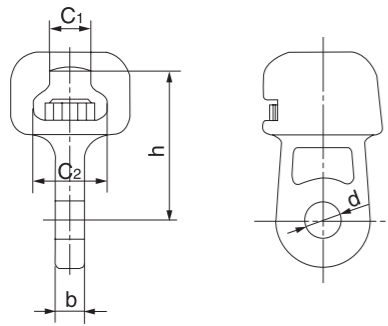
9. 碗头挂板 (W 型)

Socket Eyes (Type W)

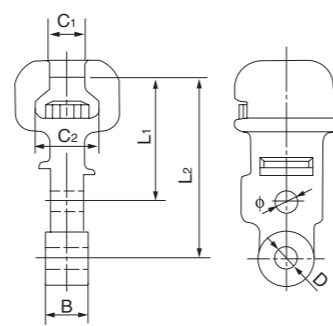
型号 Catalog No.	主要尺寸 Dimensions (mm)					破坏荷重 Rated Failure Load (kN)	重量 Weight (kg)
	C1	C2	h	d	b		
W-4	12.5	24.5	50	14	12	40	0.6
W-7A	19.2	34.5	70	20	16	70	0.8
W-7B	19.2	34.5	115	20	16	70	0.9
W1-7G	19.2	34.5	70	20	25	70	1.1
W1-10	19.2	34.5	85	20	18	100	1.0
W1-12	19.2	34.5	85	20	32	120	1.1
W-12	19.2	34.5	90	24	20	120	1.3
W-30	27.5	51.0	110	39	32	300	4.2
W-0732	19.2	34.5	70	20	32	70	1.1

碗头挂板为可锻铸铁件或铸钢件，热镀锌。弹簧销为不锈钢件。(图 9)

The socket eye is malleable iron, hot-dip galvanized. Security clip is stainless steel. (Fig. 9)



(图 9) (Fig. 9)



(图 10-1) (Fig. 10-1)

10. 碗头挂板 (带孔 W 型)

Socket Eyes (With Hole Type W)

10-1 平行式

型号 Catalog No.	主要尺寸 Dimensions (mm)							破坏荷重 Rated Failure Load (kN)	重量 Weight (kg)
	C1	C2	L1	L2	B	D	φ		
W1-7K	19.2	34.5	70	120	20	18	14	70	1.0
W1-10K	19.2	34.5	80	130	18	20	14	100	1.2
W1-12K	19.2	34.5	70	120	22	24	14	120	1.3
W1-16K	23.0	42.5	89	141	20	26	14	160	1.3
W1-7KA	19.2	34.5	89	141	28	18	14	70	1.3
W1-7KB	19.2	34.5	89	141	20	18	14	70	1.3
W1-7KC	19.2	34.5	89	141	16	18	14	70	1.3
W-7AH	19.2	34.5	70	120	40	20	14	70	1.3
W-7AH1	19.2	34.5	70	120	16	20	14	70	1.2
W-12AH1	19.2	34.5	70	120	40	24	14	120	1.6
W-16AH	23.0	42.5	70	120	24	26	14	160	0.9
W-32AH	27.5	51.0	100	215	28	39	2-φ18	320	5.5

碗头挂板为可锻铸铁件或铸钢件，热镀锌。弹簧销为不锈钢件。

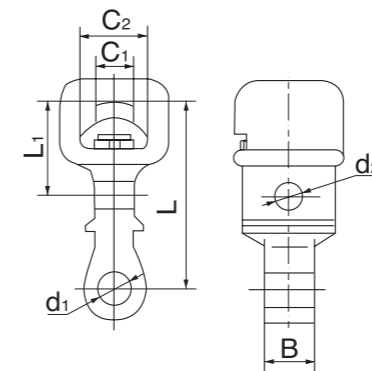
The socket eye is malleable iron, hot-dip galvanized. Security clip is stainless steel.

10-2 垂直式

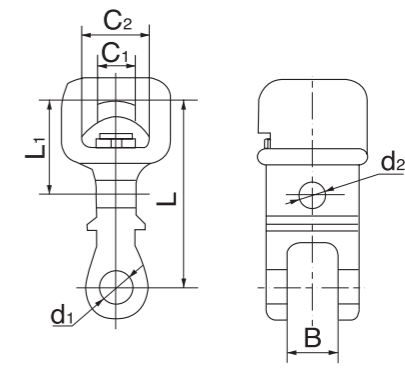
型号 Catalog No.	简图 Fig. No.	主要尺寸 Dimensions (mm)							破坏荷重 Rated Failure Load (kN)	重量 Weight (kg)
		C1	C2	L	L1	d1	d2	B		
W1-7R	1	19.2	34.5	140	65	18	14	18	70	1.0
W1-12R	1	19.2	34.5	120	70	22	14	22	120	1.3
W1-16R	1	23.0	42.5	130	75	26	14	22	160	4.2
WS-7R	2	19.2	34.5	140	65	18	14	18	70	1.1
WS-12R	2	19.2	34.5	145	65	24	14	20	120	1.5

碗头挂板为可锻铸铁件或铸钢件，热镀锌。弹簧销为不锈钢件。

The socket eye is malleable iron, hot-dip galvanized. Security clip is stainless steel.



(图 10-2.1) (Fig 10-2.1)



(图 10-2.2) (Fig 10-2.2)

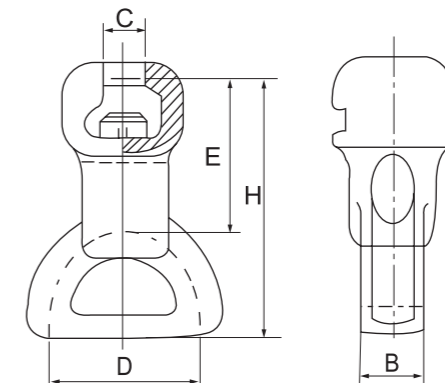
11. 碗头心形环

Socket Thimble

型号 Catalog No.	主要尺寸 Dimensions (mm)					球窝尺寸代号 Couple IEC Code	重量 Weight (kg)
	B	C	D	E	H		
WX-7A	28	19.2	50	65	110	16mm	1.30
WX-7B	30	19.2	70	65	110	16mm	1.35

可锻铸铁件，热镀锌，W锁紧销为铜合金或不锈钢。

The body is made of malleable iron hot-dip galvanized, W-clip pin is made of bronze or stainless steel.



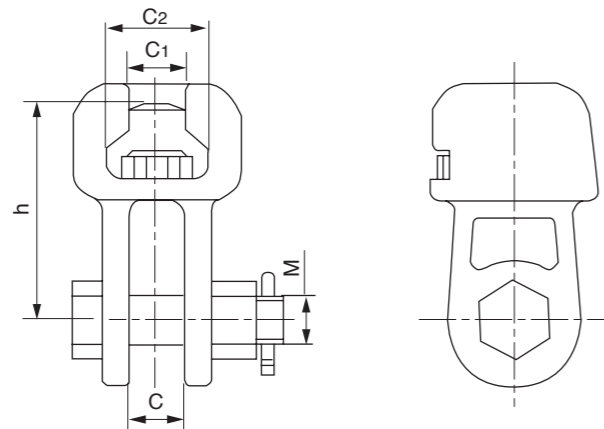
12. 碗头挂板 (WS 型)

Socket Clevises (Type WS)

型号 Catalog No.	主要尺寸 Dimensions (mm)					标称破坏荷重 Rated Failure Load (kN)	重量 Weight (kg)
	C	C1	C2	M	h		
WS-7	18	19.2	34.5	16	70	70	1.0
WS-10	20	19.2	34.5	18	85	100	1.2
WS-12	24	19.2	34.5	22	85	120	1.8
WS-16	26	23.0	42.5	24	95	160	2.6
WS-21	30	27.5	51	27	100	210	4.3
W2-21D	30	23.0	42.5	27	100	210	4.5
WS-25	34	27.5	51.0	30	110	250	6.1
WS-30	36	27.5	51.0	36	110	300	5.7
WS-1611	26	23.0	42.5	24	110	160	3.8
WS-16D	26	23.0	42.5	24	95	160	2.1
WS-20D	30	27.5	51.0	27	100	200	4.3
WS-30D	38	27.5	51.0	36	110	300	7.5
WS-12G	20	19.2	34.5	18	85	120	1.7
WS-16S	22	23.0	42.5	24	95	160	2.7
WS-21S	24	23.0	42.5	24	100	210	3.6
WS-25S	28	27.5	51.0	27	100	250	5.2
WS-32S	32	27.5	51.0	30	110	320	4.7
WS-42S	38	32.0	59.0	36	120	420	6.0
WS-53S	42	36.0	67.5	42	140	530	10.3

碗头挂板为可锻铸铁件、铸钢件或钢制件，热镀锌。弹簧销为不锈钢件。

The socket eye is malleable iron, hot-dip galvanized. Security clip is stainless steel.



13. 碗头挂板 (装均压屏蔽环型)

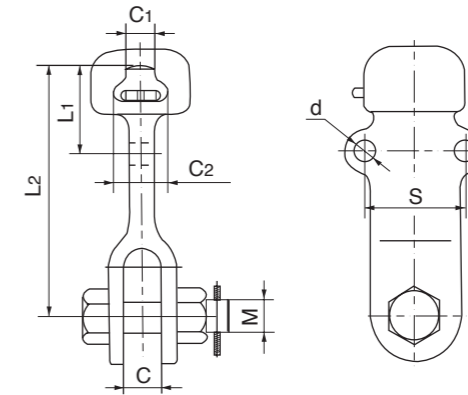
Socket Clevises (Elongated Type WS)

13-1 带孔型

型号 Catalog No.	主要尺寸 Dimensions (mm)								破坏荷重 Rated Failure Load (kN)	重量 Weight (kg)
	L1	L2	C	C1	C2	M	S	d		
WS-16A	135.5	195	26	23.0	42.5	24	45	14	160	6.0
WS-16AH	70	150	22	23.0	42.5	24	40	14	160	3.4
WS-21A	135	195	30	23.0	42.5	27	45	14	160	6.7
WS-21AH	70	150	24	23.0	42.5	24	40	14	210	4.2
WS-21AS	70	200	24	23.0	42.5	24	80	18	210	4.7
WS-32AS	80	200	32	27.5	51.0	30	80	18	320	6.1

碗头挂板为可锻铸铁件或铸钢件，热镀锌。弹簧销为不锈钢件。

The socket eye is malleable iron, hot-dip galvanized. Security clip is stainless steel.



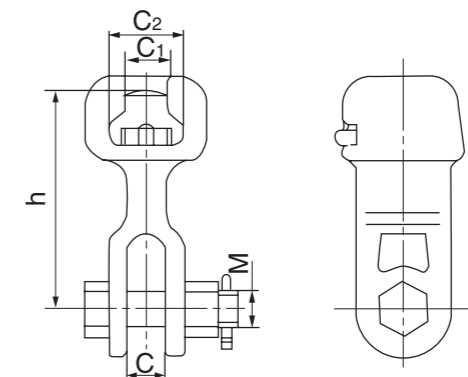
(图 13-1) (Fig. 13-1)

13-2 不带孔型

型号 Catalog No.	主要尺寸 Dimensions (mm)					称破坏荷重 Rated Failure Load (kN)	重量 Weight (kg)
	C	C1	C2	M	h		
WS-10/150	20	19.2	34.5	18	150	100	1.7
WS-21L	24	27.5	51.0	22	150	210	4.7
WS-30L	30	27.5	51.0	27	150	300	5.2

碗头挂板为可锻铸铁件或铸钢件，热镀锌。弹簧销为不锈钢件。

The socket eye is malleable iron, hot-dip galvanized. Security clip is stainless steel.



(图 13-2) (Fig. 13-2)

14. U型挂环

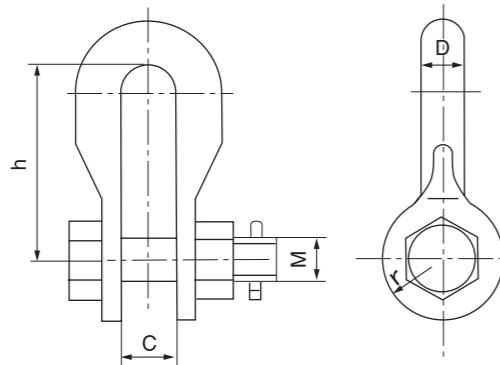
Shackles

14-1 直口式

型号 Catalog No.	主要尺寸 Dimensions (mm)					标称破坏荷重 Rated Failure Load (kN)	重量 Weight (kg)
	C	M	D	h	r		
U-7	20	16	16	80	22	70	0.6
U-10	22	18	18	85	24	100	0.6
U-12	24	22	20	90	30	120	1.0
U-16	26	24	22	95	32	160	1.5
U-16T	28	24	22	90	32	160	1.5
U-21	30	27	24	100	36	210	2.3
U-25	34	30	26	110	40	250	2.8
U-30	38	36	30	130	46	300	3.7
U-40	42	42	36	150	55	400	6.5
U-50	44	42	36	150	55	500	7.0
U-10ST	26	18	18	70	24	100	0.7
U-12S	22	22	18	70	30	120	1.0
U-21S	26	24	20	100	32	210	1.4
U-21ST	30	24	20	100	32	210	2.0
U-25S	30	27	24	110	36	250	2.1
U-50S	40	36	32	150	48	500	4.9
U-30G.1	34	30	28	110	36	300	2.5
U-30G.2	34	36	30	115	46	300	3.6
U-42A	34	30	28	130	40	420	3.6
U-42B	34	30	28	150	40	420	3.6
U-42C	34	30	28	190	40	420	3.6
U-50G	38	36	32	170	43	500	7.0
U-60G	46	42	38	172	44	600	7.6
U-25ST	34	27	24	110	36	250	2.6
U-21165S	26	24	20	165	32	210	1.7
U-3210S	32	30	28	100	40	320	2.8
U-32130S	34	30	28	130	40	320	3.4
U-64200S	42	42	36	200	55	640	7.0

闭口销为不锈钢件，其余为热镀锌钢制件。

The cotter pin is stainless steel, the other parts are hot-dip galvanized steel.



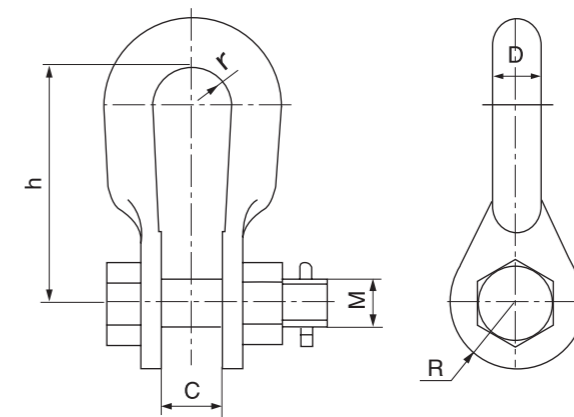
(图 14-1) (Fig. 14-1)

14-2 收口式

型号 Catalog No.	主要尺寸 Dimensions (mm)						标称破坏荷重 Rated Failure Load (kN)	重量 Weight (kg)
	C	M	D	h	R	r		
UR-4	14	12	16	60	20	16	40	0.5
UR-7	18	16	16	65	22	16	70	0.6
U-20-1	22	27	24	100	36	15	200	2.3
U-50-1	38	42	36	150	55	22	500	7.8
U-50-2	30	42	36	150	55	22	500	7.7
U-70	40	42	36	170	55	28	700	9.5
U-100	44	48	42	200	65	28	1000	14.4
U-10G	24	18	18	85	24	13	100	0.63
U-30T	34	36	30	170	36	20	300	4.5
U-60T	50	42	42	230	55	28	600	9.0
U-70T	22	16	16	60	22	17	70	0.4
U-16S	22	24	20	90	32	13	160	1.3
U-32S	32	30	28	115	40	17	320	3.0
U-42S	38	36	32	140	45	20	420	4.5
U-84S	44	48	40	250	62	25	840	11.4
U-1608S	24	24	20	80	32	13	160	1.3
U-42155S	38	36	32	115	45	20	420	4.3
U-84180S	44	48	40	180	62	25	840	10.0
U-3215A	30	27	26	150	40	20	320	3.2

闭口销为不锈钢件，其余为热镀锌钢制件。

The cotter pin is stainless steel, the other parts are hot-dip galvanized steel.



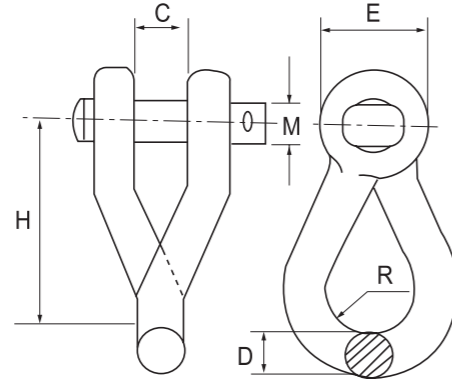
(图 14-2) (Fig. 14-2)

15. 扭转挂环
Twisted Shackle

型号 Catalog No.	主要尺寸 Dimensions (mm)						破坏荷重 Rated Failure Load (kN)	重量 Weight (kg)
	C	D	E	H	M	R		
UN-7	18	16	34	76	16	16	70	1.10
UN-10	18	20	38	80	18	16	100	1.25
UN-12	22	20	38	80	22	16	120	1.25
UN-16	24	0	44	102	22	19	160	1.50

闭口销为不锈钢件，其余为热镀锌钢制件。

The cotter pin is made of stainless steel, the other parts are made of hot-dip galvanized drop forged steel.

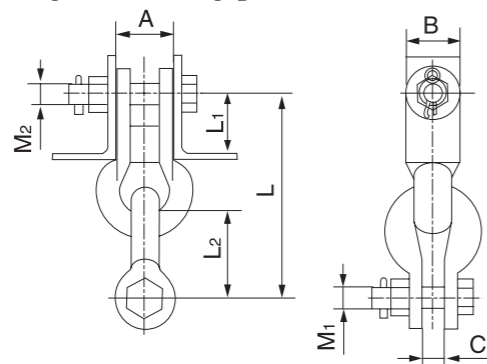


16. 加强型 U 型挂环
Strengthened Shackles

型号 Catalog No.	主要尺寸 Dimensions (mm)								破坏荷重 Rated Failure Load (kN)	重量 Weight (kg)
	A	B	C	M1	M2	L	L1	L2		
U-16J	60	60	26	24	24	195	75	87	160	5.7
U-20J	60	60	30	27	27	230	75	110	200	5.7
U-40J	70	108	44	42	42	323	125	120	400	13.9
U-16JA	60	60	26	24	24	210	80	75	160	6.2
U-16JB	60	60	26	24	24	230	80	95	160	6.3
U-16JC	60	60	26	24	24	250	80	115	160	6.4
U-16JD	60	60	26	24	24	270	80	135	160	6.6
U-16JE	60	60	26	24	24	290	80	155	160	6.7
U-16JF	60	60	26	24	24	310	80	175	160	6.8
U-21JS	72	60	26	24	24	210	80	90	210	5.2
U-32JS	80	80	32	30	30	250	90	120	320	10.0

闭口销为不锈钢件，其余为热镀锌钢制件。

The cotter pin is stainless steel, the other parts are hot-dip galvanized steel.

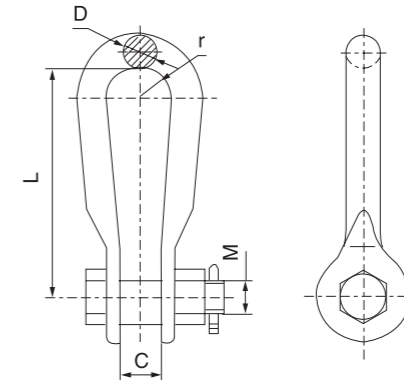


17. 拉线 U 型挂环 (UL 型)
Long Shackles

型号 Catalog No.	主要尺寸 Dimensions (mm)					破坏荷重 Rated Failure Load (kN)	重量 Weight (kg)
	C	M	D	L	r		
UL-7	20	16	16	120	15	70	0.7
UL-10	22	18	18	140	17	100	0.9
UL-12	24	22	20	140	18	120	1.4
UL-16	26	24	22	140	19	160	1.6
UL-1615	26	24	22	150	19	160	1.6
UL-20	30	27	24	160	22	200	2.9
UL-32A	30	27	24	150	20	320	3.1
UL-16S	28	24	20	140	16	160	1.1
UL-21S	28	24	20	160	16	210	1.7
UL-32S	32	30	28	160	20	320	3.4

除闭口销为不锈钢制件，其余为热镀锌钢制件。

The cotter pin is stainless steel, the other parts are hot-dip galvanized steel.

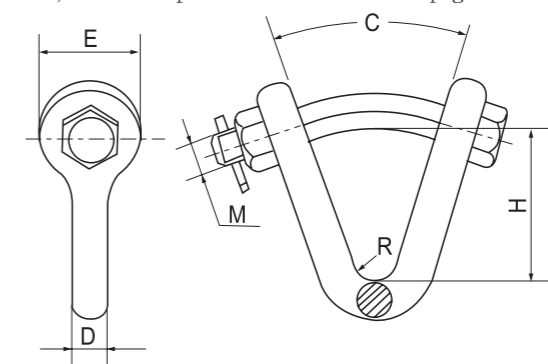


18. V 型挂环
Vee Shackle

型号 Catalog No.	主要尺寸 Dimensions (mm)						破坏荷重 Rated Failure Load (kN)	重量 Weight (kg)
	C	D	E	H	M	R		
V-7	35°	16	38	70	18	10	70	0.80
V-10	35°	18	40	70	20	10	100	0.85
V-12	35°	24	44	90	22	13	120	0.98
V-16	35°	24	48	90	24	13	160	1.10
V-20	35°	24	54	100	27	19	200	1.45

闭口销为不锈钢件，其余为热镀锌钢制件。

The cotter pin is made of stainless steel, the other parts are made of hot-dip galvanized drop forged steel.



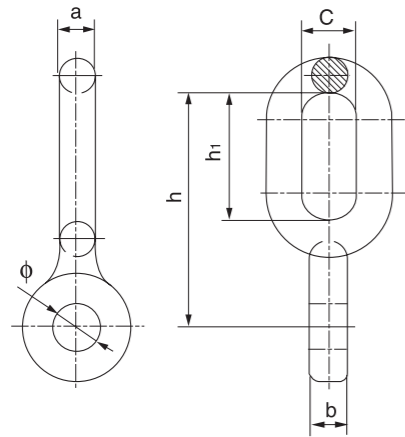
19. 直角挂环 (ZH型)

Eye Links (Type ZH)

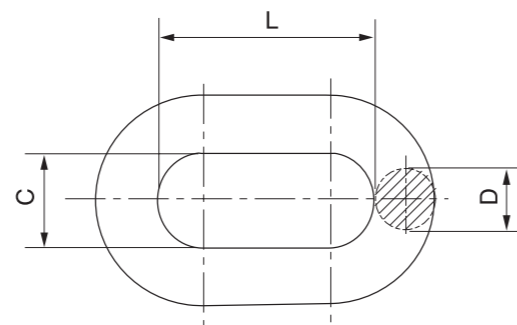
型号 Catalog No.	主要尺寸 Dimensions (mm)						破坏荷重 Rated Failure Load (kN)	重量 Weight (kg)
	a	b	c	ϕ	h1	h		
ZH-7	16	16	24	20	57	100	70	0.9
ZH-10	18	15	24	20	57	100	100	1.1
ZH-12	18	16	22	24	65	115	120	1.1
ZH-16	22	18	26	26	75	135	160	1.2
ZH-16/153	22	18	26	26	90	153	160	1.4
ZH-21	24	26	32	30	75	150	210	2.3

热镀锌钢制件。(图 19)

Hot-dip galvanized steel.(Fig. 19)



(图 19) (Fig. 19)



(图 20) (Fig. 20)

20. 延长环 (环体整锻 PH型)

Extensive Links (Link Body Whole-forged)

型号 Catalog No.	主要尺寸 Dimensions (mm)			破坏荷重 Rated Failure Load (kN)	重量 Weight (kg)
	C	D	L		
PH-7	20	16	80	70	0.4
PH-10	22	18	100	100	0.6
PH-12	24	20	120	120	0.9
PH-16	26	22	140	160	1.5
PH-21	30	24	160	210	1.6
PH-25	34	26	160	250	2.0
PH-30	38	30	180	300	3.0
PH-12S	22	18	170	120	2.5
PH-16S	26	20	120	160	0.9
PH-21S	26	20	130	210	0.9
PH-25S	32	24	120	250	1.3
PH-32S	34	28	140	320	2.0
PH-42S	40	32	160	420	3.0
PH-32130S	34	28	130	320	1.9

热镀锌钢制件。(图 20)

Hot-dip galvanized steel.(Fig. 20)

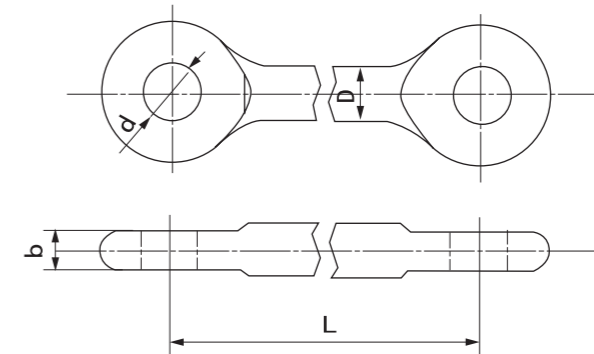
21. 延长拉杆 (YLP型)

Extension Rods (Type YLP)

型号 Catalog No.	主要尺寸 Dimensions (mm)				破坏荷重 Rated Failure Load (kN)	重量 Weight (kg)
	D	d	b	L		
YLP-10	20	20	16	354	100	1.0
YLP-16260	24	26	20	260	160	1.6
YLP-16970	24	26	20	970	160	3.8
YLP-25103	30	33	30	1030	250	4.1
YLP-25915	30	33	30	915	250	6.6
YLP-32450S	30	33	28	450	320	4.5

热镀锌钢制件。

Hot-dip galvanized steel.



22. 延长拉杆 (YL 型)

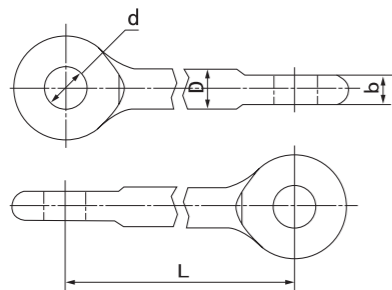
Extension Rods (Type YL)

22-1 直角式

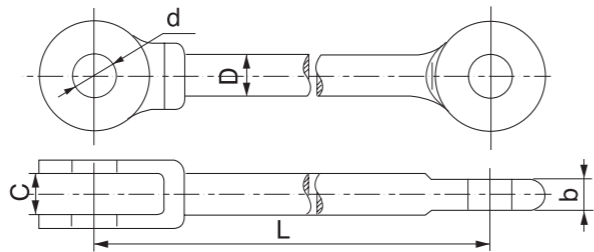
型号 Catalog No.	主要尺寸 Dimensions (mm)				破坏荷重 Rated Failure Load (kN)	重量 Weight (kg)
	D	d	b	L		
YL-0712	18	18	16	120	70	0.4
YL-1012	18	20	16	120	100	0.8
YL-1040	18	20	16	400	100	1.1
YL-1050	18	20	16	500	100	1.4
YL-1066	18	20	16	660	100	1.7
YL-1069	18	20	16	690	100	1.9
YL-1243	22	24	18	430	120	1.6
YL-1640	22	26	18	400	160	1.6
YL-1643	22	26	18	430	160	1.6
YL-1655	24	26	18	550	160	2.5
YL-1657	22	26	18	570	160	2.7
YL-2043	24	30	20	430	200	3.0
YL-2155	26	30	10	550	210	3.1
YL-2165	26	30	20	650	210	3.1
YL-3043	36	39	32	430	300	5.6
YL-1650S	22	26	18	500	160	2.1
YL-2140S	24	26	20	400	210	1.8
YL-2165S	24	26	20	650	210	2.4
YL-3236S	30	33	28	360	320	3.4
YL-3250S	30	33	28	500	320	4.2
YL-4250S	36	39	32	500	420	6.5
YL-6455S	42	45	36	550	640	9.3

热镀锌钢制件。(图 22-1)

Hot-dip galvanized steel.(Fig. 22-1)



(图 22-1) (Fig. 22-1)



(图 22-2) (Fig. 22-2)

22-2 平行单双式

型号 Catalog No.	主要尺寸 Dimensions (mm)					破坏荷重 Rated Failure Load (kN)	重量 Weight (kg)
	D	d	b	C	L		
YL-42500S	36	39	32	36	500	420	8.5
YL-64350S	42	45	36	42	350	640	11.2

热镀锌钢制件。(图 22-2)

Hot-dip galvanized steel.(Fig. 22-2)

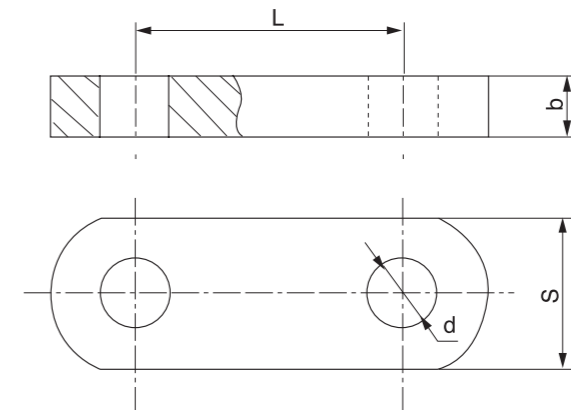
23. 平行挂板 (PD 型)

Double Straps (Type PD)

型号 Catalog No.	主要尺寸 Dimensions (mm)				标称破坏荷重 Rated Failure Load (kN)	重量 Weight (kg)
	d	b	L	S		
PD-7	18	16	70	40	70	0.5
PD-10	20	16	80	45	100	0.7
PD-12	24	16	100	50	120	1.1
PD-16	26	22	130	60	160	1.4
PD-1612	26	18	120	60	160	1.4
PD-1614	26	22	140	60	160	2.0
PD-20	26	26	110	70	200	2.1
PD-2018	26	26	180	70	200	3.4
PD-30	39	32	150	92	300	4.6
PD-3012	39	32	120	80	300	3.9
PD-3018	39	32	180	80	300	4.8
PD-42	42	36	260	100	420	9.0
PD-50	45	38	130	110	500	7.0
PD-60	51	42	135	124	600	8.5
PD-2114S	26	20	140	60	210	1.8
PD-3214S	33	28	140	60	320	2.5
PD-42120S	39	32	120	85	420	3.5
PD-64S	45	36	135	100	640	5.5
PD-84230S	51	36	230	122	840	10.2

热镀锌钢制件。

Hot-dip galvanized steel.



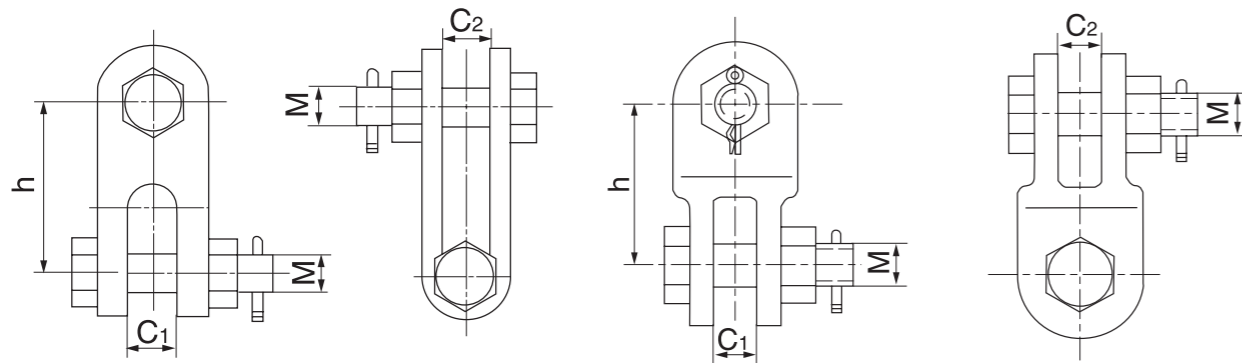
24. 挂板 (Z 型)
Clevises (Type Z)

24-1

型号 Catalog No.	主要尺寸 Dimensions (mm)				破坏荷重 Rated Failure Load (kN)	重量 Weight (kg)
	C1	C2	M	h		
Z-7	18	18	16	80	70	0.6
Z-10	20	20	18	80	100	0.8
Z-12	24	24	22	100	120	1.3
Z-16	26	26	24	100	160	2.5
Z-21	30	30	27	120	210	3.5
Z-25	34	34	30	110	250	4.3
Z-30	38	38	36	120	300	6.0
Z-40	44	44	42	180	400	12.9
Z-25/GH	34	34	33	120	250	3.4
Z-30/GH	38	38	36	120	300	4.6
Z-16S	22	22	24	140	160	2.2
Z-21S	24	26	24	90	210	3.0
Z-25S	28	28	27	110	250	3.5

闭口销为不锈钢件, 其余为热镀锌钢制件。(图 24-1)

The cotter pin is stainless steel, the other parts are hot-dip galvanized steel.(Fig. 24-1)



(图 24-1) (Fig. 24-1)

(图 24-2) (Fig. 24-2)

24-2

型号 Catalog No.	主要尺寸 Dimensions (mm)				破坏荷重 Rated Failure Load (kN)	重量 Weight (kg)
	C1	C2	M	h		
Z1-25	34	34	30	110	250	3.8
Z-32S	32	32	30	136	320	8.4
Z-42S	38	38	36	150	420	9.2
Z-50S	38	38	36	150	500	14.2
Z-64S	42	42	42	180	640	19.4
Z-84S	44	44	48	180	840	19.8
Z-130S	52	52	56	280	1300	39.1

闭口销为不锈钢件, 其余为热镀锌钢制件或铸钢制件。(图 24-2)

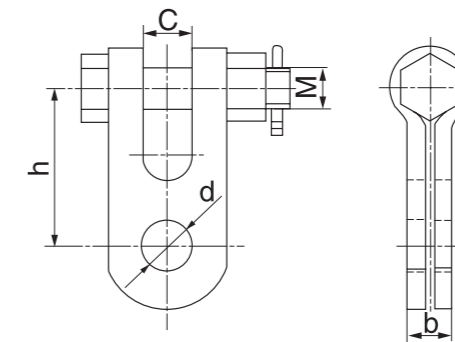
The cotter pin is stainless steel, the other parts are hot-dip galvanized steel. (Fig. 24-2)

25. 挂板 (ZS 型)
Clevis Tongues (Type ZS)

型号 Catalog No.	主要尺寸 Dimensions (mm)					破坏荷重 Rated Failure Load (kN)	重量 Weight (kg)
	C	b	M	d	h		
ZS-7	18	16	16	20	60	70	0.6
ZS-10	20	18	18	20	80	100	0.9
ZS-12	22	22	22	24	80	120	1.0
ZS-16	26	26	24	26	90	160	1.9
ZS-30	38	34	36	39	150	300	5.4
Z3-665	20	22	16	20	65	60	0.7

闭口销为不锈钢件, 其余为热镀锌钢制件。

The cotter pin is stainless steel, the other parts are hot-dip galvanized steel.

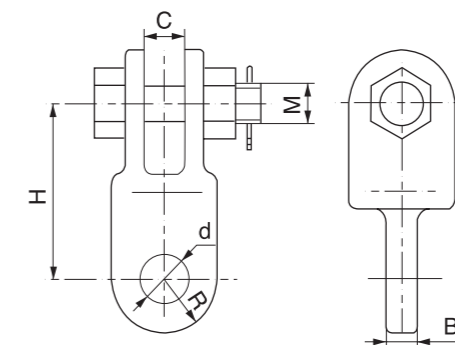


26. 挂板 (ZBD 型)
Clevis Tongues (Type ZBD)

型号 Catalog No.	主要尺寸 Dimensions (mm)						破坏荷重 Rated Failure Load (kN)	重量 Weight (kg)
	C	B	M	d	R	H		
ZBD-32	38	34	36	38	48	136	320	6.3
ZBD-50	44	40	42	44	57	150	500	10.1
ZBD-12S	20	16	22	24	30	100	120	1.5
ZBD-32S	32	28	30	33	40	136	320	5.0
ZBD-42S	38	32	36	39	45	145	420	7.1
ZBD-64S	42	36	42	45	55	150	640	8.6
ZBD-84S	44	36	48	51	62	180	840	15.1

闭口销为不锈钢件, 其余为热镀锌铸钢件或钢制件。

The cotter pin is stainless steel, the other parts are hot-dip galvanized steel.



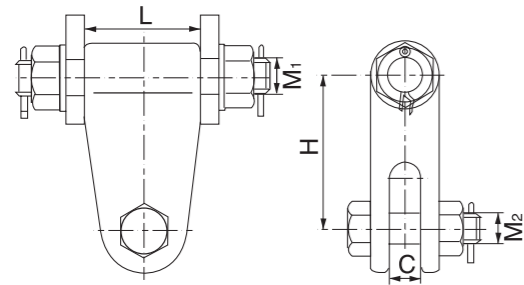
27. 挂板 (ZBS 型)

Clevises Tongues (Type ZBS)

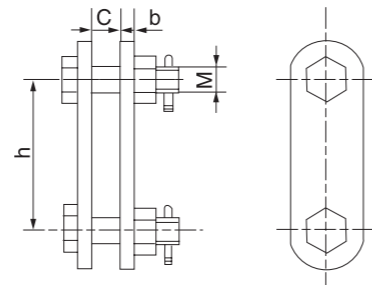
型号 Catalog No.	主要尺寸 Dimensions (mm)					破坏荷重 Rated Failure Load (kN)	重量 Weight (kg)
	C	M1	M2	H	L		
ZBS-20	26	24	24	100	60	200	4.6
ZBS-21	30	27	27	100	36	210	3.6
ZBS-32	38	36	36	136	32	320	8.7
ZBS-21S	22	24	24	100	64	210	3.6
ZBS-32S	32	30	30	140	60	320	6.5
ZBS-42S	36	36	36	140	60	420	9.1
ZBS-64S	38	42	36	180	136	640	19.0
ZBS-84S	42	48	42	180	124	840	21.7
ZBS-32/16	26	36	24	140	60	320	8.4
ZBS-32/21	30	36	27	140	60	320	8.6
ZBS-32/16S	22	36	24	140	60	320	7.3
ZBS-32/21S	24	36	24	140	60	320	7.3
ZBS-32S/16	22	30	24	120	60	320	5.6
ZBS-32S/21	24	30	24	120	60	320	5.6

闭口销为不锈钢件, 其余为热镀锌铸钢件或钢制件。(图 27)

The cotter pin is stainless steel, the other parts are hot-dip galvanized steel.(Fig. 27)



(图 27) (Fig. 27)



(图 28) (Fig. 28)

28. 挂板 (P 型)

Double Straps (Type P)

型号 Catalog No.	主要尺寸 Dimensions (mm)				称破坏荷重 Rated Failure Load (kN)	重量 Weight (kg)
	b	C	M	h		
P-7	6	18	16	70	70	0.6
P-10	8	20	18	80	100	0.9
P-12	10	24	22	90	120	1.5
P-16	12	26	24	100	160	2.4
P-21	14	30	27	120	210	4.1
P-2118	14	30	27	180	210	5.1
P-2124	14	30	27	240	210	6.0
P-2130	14	30	27	300	210	6.9

续表见下页

续表见上页

型号 Catalog No.	主要尺寸 Dimensions (mm)				称破坏荷重 Rated Failure Load (kN)	重量 Weight (kg)
	b	C	M	h		
P-2136	14	30	27	360	210	7.8
P-2142	14	30	27	420	210	8.7
P-2148	14	30	27	480	210	9.7
P-2154	14	30	27	540	210	10.6
P-25	16	34	30	120	250	5.3
P-2518	16	34	30	180	250	6.5
P-2524	16	34	30	240	250	7.7
P-2530	16	34	30	300	250	8.9
P-2536	16	34	30	360	250	9.2
P-2542	16	34	30	420	250	10.3
P-2548	16	34	30	480	250	11.5
P-2554	16	34	30	540	250	12.7
P-30	16	38	36	120	300	4.7
P-3018	16	38	36	180	300	6.1
P-3024	16	38	36	240	300	7.3
P-3030	16	38	36	300	300	8.4
P-3036	16	38	36	360	300	9.1
P-3042	16	38	36	420	300	10.9
P-3048	16	38	36	480	300	12.1
P-3054	16	38	36	540	300	13.3
P-5012	18	44	42	120	500	10.7
P-5018	18	44	42	180	500	11.9
P-5020	18	44	42	200	500	11.8
P-5026	18	44	42	260	500	12.6
P-16S	10	22	24	90	160	2.2
P-21S	10	24	24	120	210	2.5
P-2130S	10	24	24	300	210	4.3
P-2136S	10	24	24	360	210	1.9
P-32S	14	32	30	180	320	5.9
P-3212S	14	32	30	120	320	4.4
P-3220S	14	32	30	200	320	6.2
P-3230S	14	32	30	300	320	7.9
P-3236S	14	32	30	360	320	8.9
P-3240S	14	32	30	400	320	9.6
P-42S	16	38	36	200	420	8.6
P-4223S	16	38	36	230	420	8.8
P-4226S	16	38	36	260	420	10.0
P-4229S	16	38	36	290	420	11.3
P-4232S	16	38	36	320	420	11.4
P-4238S	16	38	36	380	420	12.6
P-4244S	16	38	36	440	420	13.8
P-4250S	16	38	36	500	420	14.3
P-5012S	18	38	36	120	500	7.4

续表见上页

型号 Catalog No.	主要尺寸 Dimensions (mm)				称破坏荷重 Rated Failure Load (kN)	重量 Weight (kg)
	b	C	M	h		
P-6412S	20	42	42	120	640	11.4
P-64135S	20	42	42	135	640	11.5
P-64150S	20	42	42	150	640	12.4
P-64200S	20	42	42	200	640	14.0
P-64230S	20	42	42	230	640	15.0
P-64240S	20	42	42	240	640	14.8
P-64260S	20	42	42	260	640	15.9
P-64290S	20	42	42	290	640	16.8
P-64320S	20	42	42	320	640	17.8
P-64350S	20	42	42	350	640	18.7
P-84135S	20	44	48	135	840	15.4
P-84180S	20	44	48	180	840	17.1
P-84200S	20	44	48	200	840	22.1
P-84300S	20	44	48	300	840	16.0
P-84310S	20	44	48	310	840	22.1

闭口销为不锈钢件，其余为热镀锌钢制件。(图 28)

The cotter pin is stainless steel, the other parts are hot-dip galvanized steel. (Fig.28)

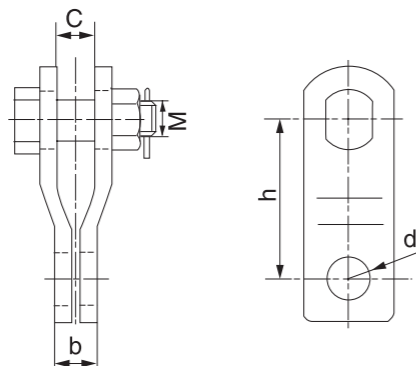
29. 挂板 (PS 型)

Clevises (Type PS)

型号 Catalog No.	主要尺寸 Dimensions (mm)					破坏荷重 Rated Failure Load (kN)	重量 Weight (kg)
	C	b	M	d	h		
PS-7	18	16	16	20	90	70	0.6
PS-10	20	20	18	20	90	100	0.8
PS-12	20	20	22	24	95	120	1.5
PS-16	26	24	24	26	155	160	2.2
PS-30	38	32	36	39	150	300	5.9
PS-40	44	40	42	45	120	400	5.9
PS-10D	20	18	18	20	90	100	3.7
PS-16S	22	20	24	26	90	160	1.7
PS-32S	32	28	30	33	140	320	4.2
PS-50S	38	36	36	39	150	500	7.5

闭口销为不锈钢件，其余为热镀锌钢制件。

The cotter pin is stainless steel, the other parts are hot-dip galvanized steel.



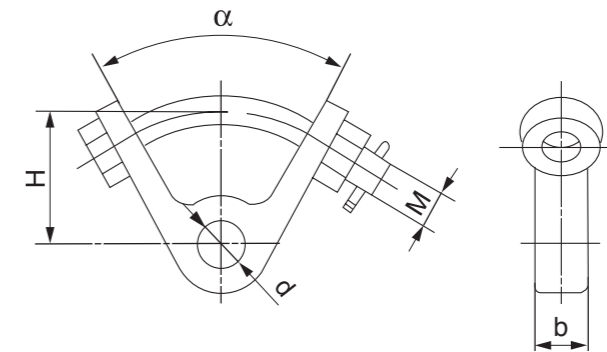
30. 挂板 (V、VD、YD 型)

Clevis Eyes (Type V、VD、YD)

型号 Catalog No.	主要尺寸 Dimensions (mm)					标称破坏荷重 Rated Failure Load (kN)	重量 Weight (kg)
	d	M	b	H	α		
V-7	18	20	40	75	60°	70	1.8
V-8	18	20	38	70	45°	80	1.5
V-7.1	18	20	28	75	45°	70	1.6
V-10.1	-	20	38	89	45°	100	1.7
VD-7	18	20	28	75	60°	70	1.4
VD-7.1	18	20	28	75	60°	70	1.7
VD-7.2	18	20	28	60	60°	70	1.2
VD-8.1	18	20	38	80	45°	80	1.8
YD-7	18	20	22	95	45°	70	1.1

闭口销为不锈钢件，其余为热镀锌铸钢件或钢制件。

The cotter pin is stainless steel, the other parts are hot-dip galvanized steel.



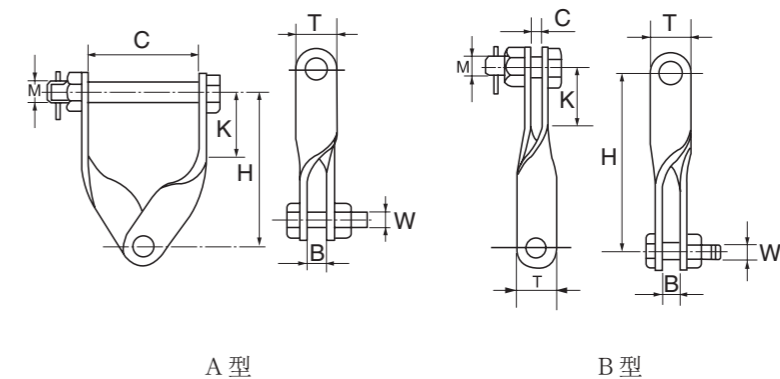
31. V 型挂板

Twisted Strap

型号 Catalog No.	主要尺寸 Dimensions (mm)							破坏荷重 Rated Failure Load (kN)	重量 Weight (kg)
	B	C	M	E	H	K	T		
VB-7A	18	102	16	16	165	51	38	70	1.42
VB-7B	18	108	16	16	143	51	38	70	1.25
VB-12A	20	110	22	22	165	51	60	120	2.5
VB-12B	20	200	22	22	150	51	60	120	2.1

闭口销为不锈钢件，其余为热镀锌钢制件。

The cotter pin is made of stainless steel, other parts are made of hot-dip galvanized steel.



32. 挂板
Clevis Eye

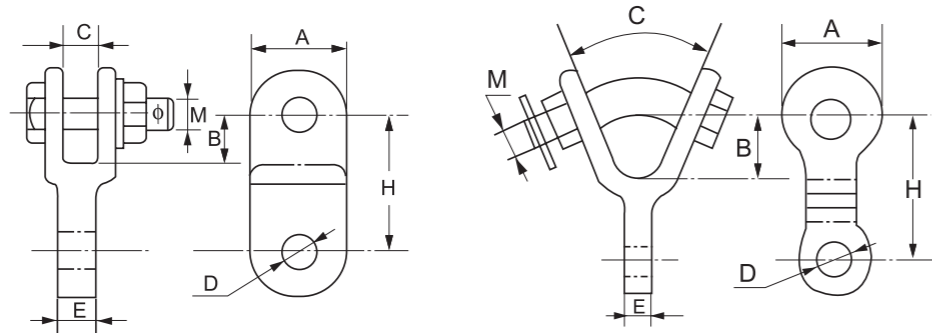


Fig 1

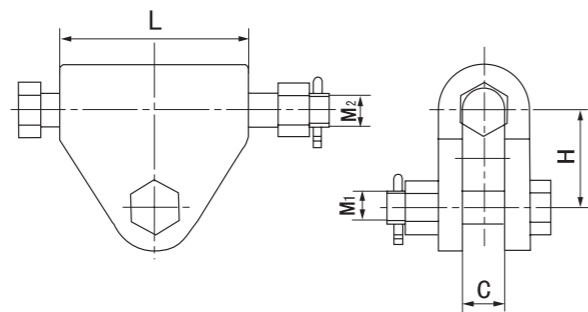
Fig 2

型号 Catalog No.	简图 Fig. No.	主要尺寸 Dimensions (mm)							破坏荷重 Rated Failure Load (kN)	重量 Weight (kg)
		A	B	C	D	E	H	M		
PG-7	1	44	28	19	18	16	65	16	70	0.80
PG-10	1	44	30	20	20	18	70	18	100	0.98
PG-12	1	52	38	24	24	20	80	22	120	1.10
PG-16	1	60	54	26	26	24	90	24	160	0.70
PG-7Y	2	44	38	45°	18	16	80	20	70	0.89
PG-10Y	2	44	38	45°	22	18	90	22	100	0.98
PG-12Y	2	44	38	45°	24	20	92	24	120	1.31
PG-16Y	2	44	38	45°	26	24	106	27	160	1.40

闭口销为不锈钢制件，其余均为热镀锌钢制件。

The cotter pin is made of stainless steel, the other parts are made of hot-dip galvanized steel.

33. 挂板 (UB型)
Clevis Hinges (Type UB)



(图 33-1) (Fig. 33-1)

型号 Catalog No.	主要尺寸 Dimensions (mm)					破坏荷重 Rated Failure Load (kN)	重量 Weight (kg)
	C	L	M1	M2	H		
UB-25T	24	140	22	22	55	250	4.5

闭口销为不锈钢件，其余为热镀锌钢制件。

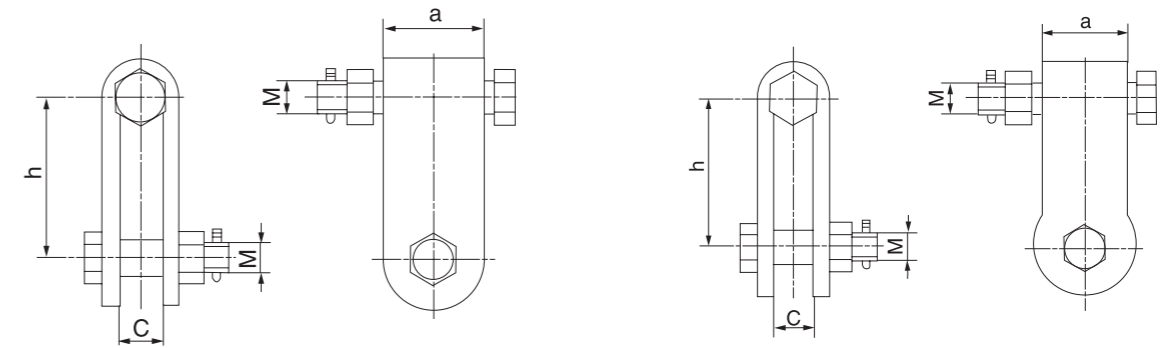
The cotter pin is stainless steel, the other parts are hot-dip galvanized steel.

33-2 宽型

型号 Catalog No.	主要尺寸 Dimensions (mm)				破坏荷重 Rated Failure Load (kN)	重量 Weight (kg)
	C	M	h	a		
UB-7	18	16	70	45	70	0.8
UB-10	20	18	80	45	100	1.1
UB-12	24	22	100	60	120	2.8
UB-16	26	24	100	60	160	2.9
UB-21	30	27	120	72	210	4.6
UB-21A	26	24	120	60	210	2.9
UB-25	30	30	120	62	250	5.3
UB-30	38	36	130	80	300	11.0
UB-40	44	42	120	90	400	13.5
UB-16S	22	24	90	60	160	3.5
UB-25S	22	27	120	70	250	4.4
UB-50S	40	36	150	96	500	10.3
UB-9-1	20	18	65	40	90	0.8

闭口销为不锈钢件，其余为热镀锌钢制件。(图 33-2)

The cotter pin is stainless steel, the other parts are hot-dip galvanized steel.(Fig.33-2)



(图 33-2) (Fig. 33-2)

(图 33-3) (Fig. 33-3)

33-3 窄型

型号 Catalog No.	主要尺寸 Dimensions (mm)				破坏荷重 Rated Failure Load (kN)	重量 Weight (kg)
	C	M	h	a		
UB-4	20	16	70	24	40	0.5
UB-7.1	20	16	65	40	70	0.7
UB-9.1	26	22	75	40	90	1.3
UB-10T	20	18	70	38	100	0.8
UB-12T	24	22	100	45	120	2.1
UB-16T	26	24	100	45	160	2.3
UB-21T	30	27	120	60	210	2.5
UB-30T	40	36	150	60	300	3.7
UB-6-1	20	16	65	30	60	0.9
UB-8-1	22	16	90	40	80	0.9
UB-10-1	22	18	75	40	100	0.9

闭口销为不锈钢件，其余为热镀锌钢制件。(图 33-3)

The cotter pin is stainless steel, the other parts are hot-dip galvanized steel.(Fig.33-3)

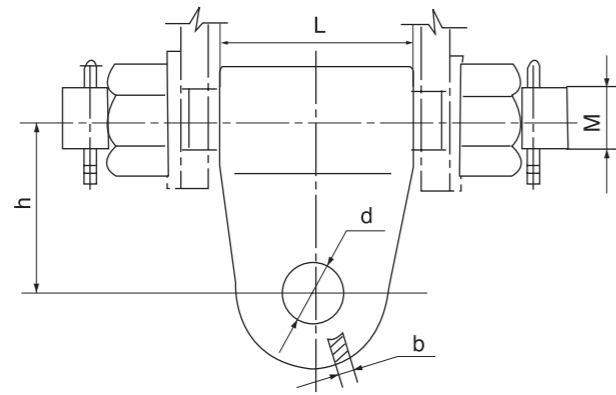
34. 联塔挂板 (LT、EB 型)

Tower-connecting Hinges (Type LT、EB)

型号 Catalog No.	主要尺寸 Dimensions (mm)					破坏荷重 Rated Failure Load (kN)	重量 Weight (kg)
	b	d	h	M	L		
LT-10	16	20	100	24	80	100	1.9
LT-16	18	26	100	24	80	160	3.5
LT-21	26	30	100	27	80	210	4.9
LT-30	32	39	100	36	80	300	6.8
EB-12	18	18	80	20	70	120	1.9
EB-50D	34	39	125	36	116	500	8.6
EB-50D.1	34	45	125	36	116	500	8.6
EB-70	38	45	125	42	136	700	14.4
EB-70A	38	45	150	64	195	700	29.9
EB-70B	42	51	150	64	195	700	31.0
EB-70C	38	45	125	42	116	700	14.2
LT-16S	18	24	100	24	80	160	2.5
LT-21S	20	26	100	24	80	210	3.3
LT-25S	20	26	100	27	80	250	4.0
LT-32S	26	30	100	30	80	320	4.2
LT-42S	30	33	100	36	86	420	5.9
LT-42S1	30	33	100	36	80	420	6.0
EB-64S	34	39	125	42	116	640	10.4
EB-70S	38	45	125	42	116	700	12.4
EB-84S	36	45	180	48	136	840	17.9

闭口销为不锈钢件，其余为热镀锌钢制件。

The cotter pin is stainless steel, the other parts are hot-dip galvanized steel.



35. 联塔联板 (NPT 型)

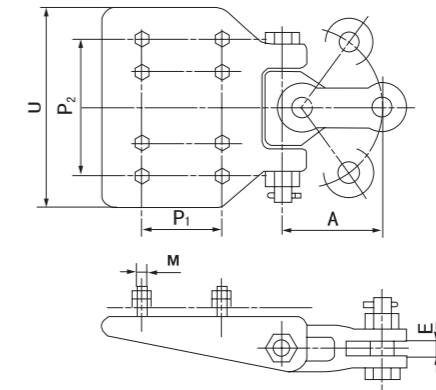
Tower-connecting Fittings (Type NPT)

35-1

型号 Catalog No.	主要尺寸 Dimensions (mm)						破坏荷重 Rated Failure Load (kN)	重量 Weight (kg)
	U	P1	P2	A	E	M		
NPT-7	240	100	175	132	18	20	70	11
NPT-10	275	110	210	158	18	20	100	15
NPT-12	275	110	210	158	18	20	120	15
NPT-16	300	120	230	185	22	22	160	18
NPT-21	300	120	230	187	34	24	210	20
NPT-33	360	70	270	182	34	24	330	22

闭口销为不锈钢件，其余为热镀锌钢制件。

The cotter pin is stainless steel, the other parts are hot-dip galvanized steel.



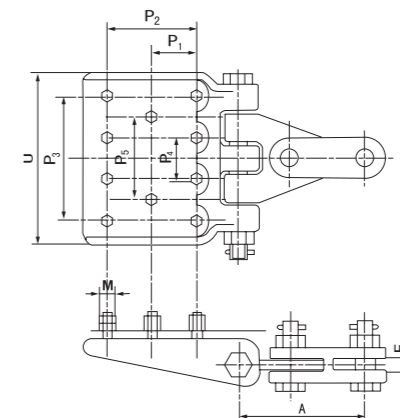
(图 35-1) (Fig. 35-1)

35-2

型号 Catalog No.	主要尺寸 Dimensions (mm)									破坏荷重 Rated Failure Load (kN)	重量 Weight (kg)
	U	P1	P2	P3	P4	P5	A	E	M		
NPT-42	350	81	162	270	90	180	225	34	24	420	25
NPT-60	350	81	162	270	90	180	225	34	24	600	25

闭口销为不锈钢件，其余为热镀锌钢制件。

The cotter pin is stainless steel, the other parts are hot-dip galvanized steel.



(图 35-2) (Fig. 35-2)

36. 联塔联板(NPTS 型)

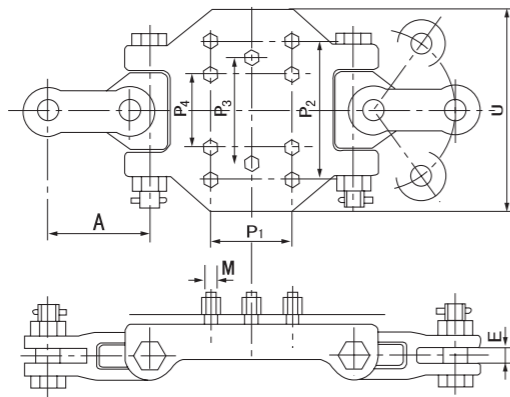
Tower-connecting Fittings (Type NPTS)

36-1

型号 Catalog No.	主要尺寸 Dimensions (mm)								破坏荷重 Rated Failure Load (kN)	重量 Weight (kg)
	U	P1	P2	P3	P4	A	E	M		
NPTS-33	320	140	240	160	80	192	34	24	330	40

闭口销为不锈钢件，其余为热镀锌钢制件。

The cotter pin is stainless steel, the other parts are hot-dip galvanized steel.



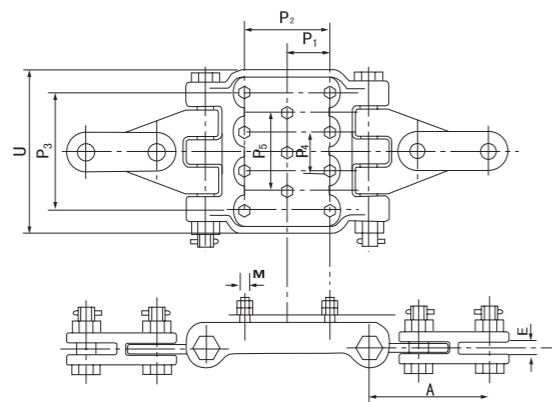
(图 36-1) (Fig. 36-1)

36-2

型号 Catalog No.	主要尺寸 Dimensions (mm)								破坏荷重 Rated Failure Load (kN)	重量 Weight (kg)	
	U	P1	P2	P3	P4	P5	A	E			M
NPTS-42	350	81	162	270	90	180	225	34	24	420	45

闭口销为不锈钢件，其余为热镀锌钢制件。

The cotter pin is stainless steel, the other parts are hot-dip galvanized steel.



(图 36-2) (Fig. 36-2)

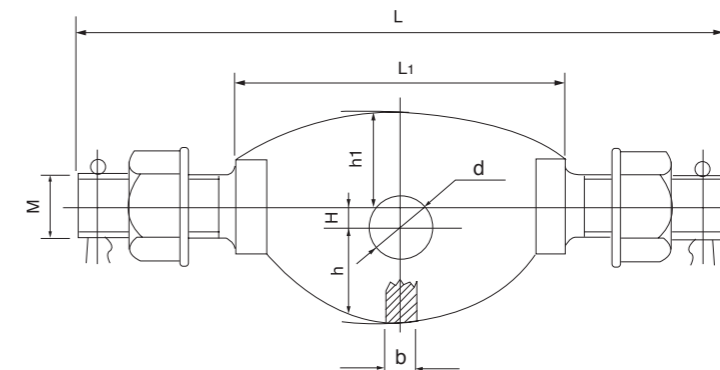
37. 耳轴挂板 (GD 型)

Clevis Hings (Type GD)

型号 Catalog No.	主要尺寸 Dimensions (mm)								破坏荷重 Rated Failure Load (kN)	重量 Weight (kg)
	L	L1	d	M	H	b	h	h1		
GD-12S	200	112	24	22	12	16	40	35	120	2.1
GD-16S	240	112	26	24	12	18	40	35	160	2.0
GD-21S	240	112	26	24	12	20	40	35	210	2.1
GD-32S	240	112	33	30	12	28	40	36	320	3.6
GD-42S	278	130	39	36	12	32	45	35	420	4.2
GD-50S	278	130	39	36	12	32	48	50	500	4.4
GD-64S	308	136	45	42	12	36	55	50	640	6.5
GD-84S	376	170	51	48	20	36	62	70	840	11.1
GD-12S1	230	112	24	22	12	16	40	35	120	1.6
GD-21S1	250	112	26	24	12	20	40	35	210	2.1
GD-32S1	252	112	30	30	12	26	40	35	320	2.9
GD-50S1	290	130	39	36	12	32	48	50	500	5.1
GD-64S1	308	136	45	42	12	36	55	50	640	6.5

闭口销为不锈钢件，其余为热镀锌钢制件。

The cotter pin is stainless steel, the other parts are hot-dip galvanized steel.

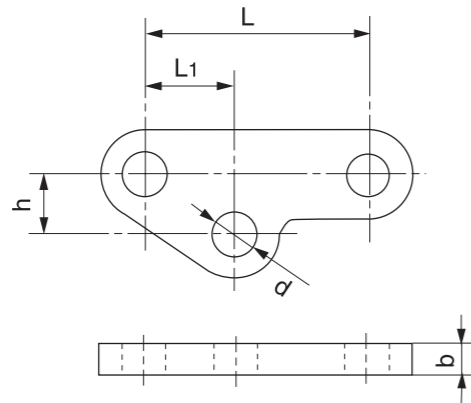


38. 牵引板

Towing Plates

型号 Catalog No.	主要尺寸 Dimensions (mm)					破坏荷重 Rated Failure Load (kN)	重量 Weight (kg)
	L	L1	b	d	h		
QY-7	100	38	16	18	22	70	0.8
QY-10	120	42	16	20	25	100	1.0
QY-12	150	52	16	24	30	120	1.5
QY-16	180	55	18	26	35	160	2.1
QY-21	200	75	26	30	45	210	4.0
QY-25	220	85	30	33	50	250	6.2
QY-30	240	95	32	39	57	300	7.3
QY-50	260	100	38	45	70	500	15.4
QY-60	260	114	42	51	80	600	16.0
QY-21S	200	75	20	26	45	210	2.8
QY-42S	260	100	32	39	70	420	8.4
QY-64S	260	114	36	45	80	640	12.5
QY-32260S	260	95	28	33	57	320	7.5
QY-84260S	260	120	36	51	90	840	14.3

热镀锌钢制件。
Hot-dip galvanized steel.

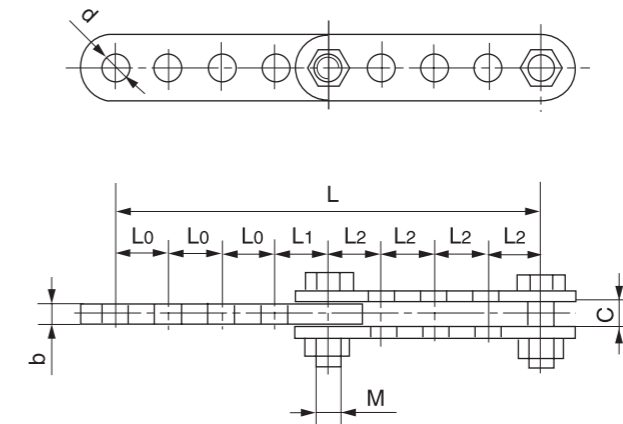


39. 调整板 (PT 型)

Adjuster plates (type PT)

型号 Catalog No.	主要尺寸 Dimensions (mm)								破坏荷重 Rated Failure Load (kN)	重量 Weight (kg)
	L0	L1	L2	M	d	b	c	L		
PT-7	45	60	45	16	18	16	18	225~345	70	2.0
PT-10	50	65	50	18	20	16	20	250~390	100	3.0
PT-12	60	75	60	22	24	16	24	300~465	120	5.3
PT-16	65	80	60	24	26	18	26	300~505	160	7.0
PT-21	70	90	70	27	30	26	30	350~550	210	10.1
PT-25	80	100	80	36	39	32	38	400~630	300	14.0
PT-30	90	90	80	30	33	30	34	410~590	250	14.9
PT-30105	75	75	75	30	32	26	30	680~1055	300	21.9
PT-30106	75	75	75	30	32	26	30	690~1060	300	22.1
PT-50	70	80	100	42	45	38	40	740~1280	500	50.0
PT-60	90	80	100	48	51	42	44	820~1390	600	66.0
PT-32S	80	70	60	30	33	28	32	270~500	320	13.3
PT-42S	80	70	80	36	39	32	36	545~945	420	28.0
PT-64S	90	155	100	42	45	36	42	820~1390	640	49.7
PT-84S	90	155	100	48	51	36	44	820~1390	840	57.6

热镀锌钢制件。
Hot-dip galvanized steel.



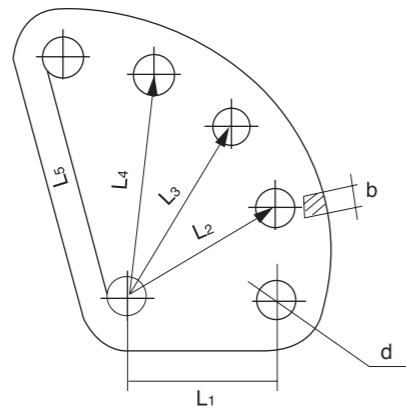
40. 调整板 (DB 型)

Adjuster Plates (Type DB)

型号 Catalog No.	主要尺寸 Dimensions (mm)							破坏荷重 Rated Failure Load (kN)	重量 Weight (kg)
	d	b	L1	L2	L3	L4	L5		
DB-7	18	16	70	95	120	145	170	70	1.7
DB-10	20	16	80	110	140	170	200	100	2.7
DB-12	24	16	100	135	170	205	240	120	4.0
DB-16	26	18	110	125	140	155	170	160	4.1
DB-21	30	26	120	135	150	165	180	210	7.4
DB-30	39	32	120	140	160	180	200	300	12.5
DB-50	45	38	140	185	230	275	320	500	28.6
DB-60	51	42	135	160	185	210	235	600	31.6
DB-16S	26	18	110	125	140	155	170	160	4.1
DB-21S	26	20	120	150	165	195	210	210	6.8
DB-25S	30	24	120	135	150	165	180	250	7.0
DB-32S	33	28	120	140	160	180	200	320	11.9
DB-42S	39	32	140	185	230	275	320	420	16.5
DB-50S	39	32	140	185	230	275	320	500	17.0
DB-64185S	45	36	135	160	185	210	235	640	19.4
DB-64230S	45	36	140	185	230	275	320	640	21.0
DB-84S	51	36	140	170	200	230	260	840	24.8

热镀锌钢制件。

Hot-dip galvanized steel.



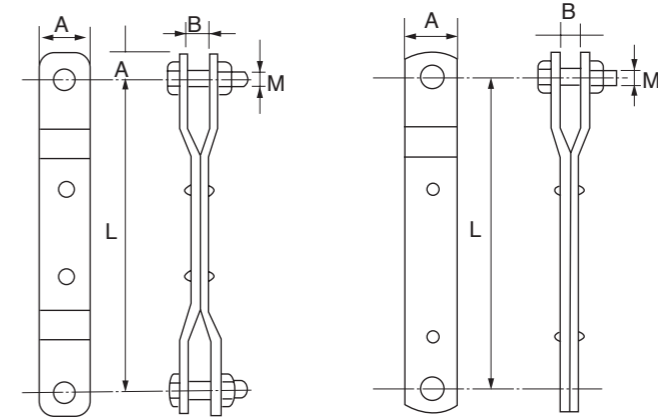
41. 延长拉板

Extension Link

型号 Catalog No.	简图 Fig. No.	主要尺寸 Dimensions (mm)				破坏荷重 Rated Failure Load (kN)	重量 Weight (kg)
		A	B	L	M		
YB-7A	1	40	18	200	16	70	1.50
YB-10A	1	40	18	200	18	100	1.62
YB-12A	1	50	20	200	22	120	2.00
YB-16A	1	50	20	550	24	160	4.60
YB-7B	2	50	18	300	16	70	1.58
YB-10B	2	50	18	400	18	100	2.63
YB-12B	2	50	20	450	22	120	2.80

闭口销为不锈钢制件，其余为热镀锌钢制件。

The cotter pins are made of stainless steel. Others are made of hot-dip galvanized Steel.



(图1) (Fig.1)

(图2) (Fig.2)

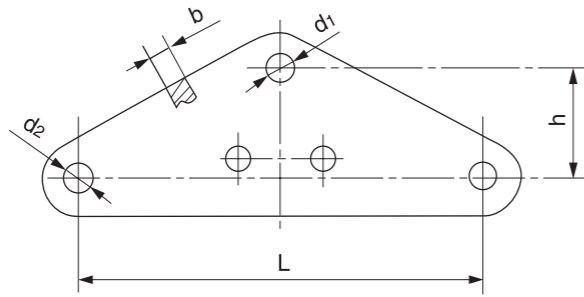
42. 联板 (L、LT、LZ 型)

Yoke Plates (type L、LT、LZ)

42-1

型号 Catalog No.	主要尺寸 Dimensions (mm)					破坏荷重 Rated Failure Load (kN)	重量 Weight (kg)
	b	h	d1	d2	L		
L-1040	16	70	20	18	400	100	4.5
L-1050	16	130	20	18	500	100	7.1
L-1060	16	100	20	18	600	100	9.8
L-1240	16	70	24	18	400	120	4.7
L-1640	18	100	26	20	400	160	5.9

热镀锌钢制件。
Hot-dip galvanized steel.

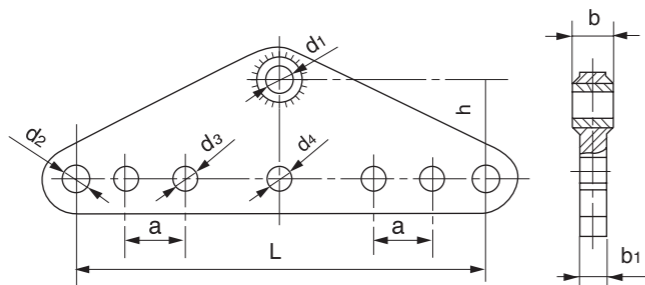


(图 42-1) (Fig. 42-1)

42-2

型号 Catalog No.	主要尺寸 Dimensions (mm)									破坏荷重 Rated Failure Load (kN)	重量 Weight (kg)
	b	b1	d1	d2	d3	d4	h	a	L		
L-1245	16	16	24	20	18	24	100	60	450	120	5.0
L-1645	18	18	26	20	18	20	110	60	450	160	7.0
L-1645/GH	18	18	26	26	18	26	100	60	450	160	6.2
L-1645T	18	18	26	26	18	26	130	60	450	160	6.9
L-2145-1	26	18	30	26	18	26	110	60	450	210	7.5
L-2545-1	30	22	33	26	18	26	110	60	450	250	9.8
L-5055	38	32	45	39	18	0	250	80	550	500	33.0
L-1250S	16	16	24	18	18	20	130	80	500	120	8.1
L-1645S	18	18	26	20	18	20	130	60	450	160	7.4
L-1650S	18	18	26	20	18	20	130	60	500	160	9.1
L-2150S	20	20	26	16	18	16	130	60	500	210	8.2
L-2145A	24	18	30	26	18	26	110	60	450	210	7.5

热镀锌钢制件。
Hot-dip galvanized steel.

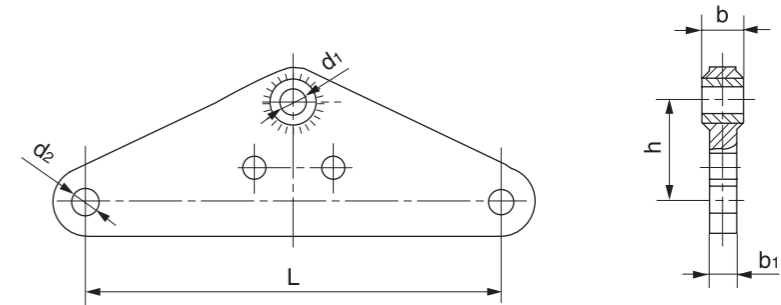


(图 42-2) (Fig. 42-2)

42-3

型号 Catalog No.	要尺寸 Dimensions (mm)						破坏荷重 Rated Failure Load (kN)	重量 Weight (kg)
	b	b1	h	d1	d2	L		
L-2050	26	18	200	30	26	500	200	11.4
L-2070	26	18	300	30	20	700	200	18.2
L-2140	26	16	100	30	20	400	210	7.0
L-2540	30	16	110	33	24	400	250	9.0
L-3040	32	18	110	39	26	400	300	10.0
L-1660F	18	18	120	26	20	600	160	9.7
L-3060F	32	22	120	39	26	600	300	14.2

热镀锌钢制件。
Hot-dip galvanized steel.

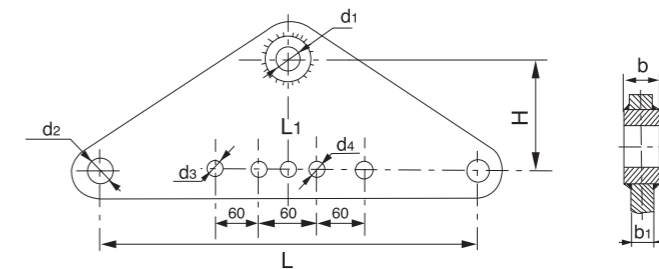


(图 42-3) (Fig. 42-3)

42-4

型号 Catalog No.	主要尺寸 Dimensions (mm)								破坏荷重 Rated Failure Load (kN)	重量 Weight (kg)
	L	H	b	b1	d1	d2	d3	d4		
L-2545/30	450	110	30	22	45	30	18	26	250	9.9
L-3045G	450	250	32	18	39	27	14	25	300	13.1
L-3260G	600	200	28	18	33	26	18	26	320	15.3
L-4260G	600	200	32	20	39	26	18	26	420	17.8
L-6460G	600	250	36	28	45	33	18	26	640	30.8
L-6455S	550	145	36	28	45	33	18	18	640	22.7
L-6460S	600	250	36	28	45	33	18	26	640	28.4
L-6470S	700	250	36	28	45	33	18	26	640	34.9
L-8460S1	600	200	36	36	51	39	18	26	840	35.1

热镀锌钢制件。
Hot-dip galvanized steel.

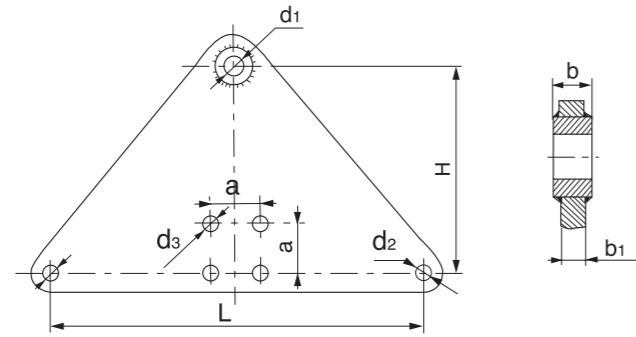


(图 42-4) (Fig. 42-4)

42-5

型号 Catalog No.	主要尺寸 Dimensions (mm)								破坏荷重 Rated Failure Load (kN)	重量 Weight (kg)
	L	H	b	b1	d1	d2	d3	a		
L-2150TS1	500	250	20	20	26	26	18	60	210	15.6
L-4250TS	500	250	32	20	39	26	18	60	420	18.3
L-8460S	600	220	36	36	51	39	22	80	840	38.0

热镀锌钢制件。
Hot-dip galvanized steel.

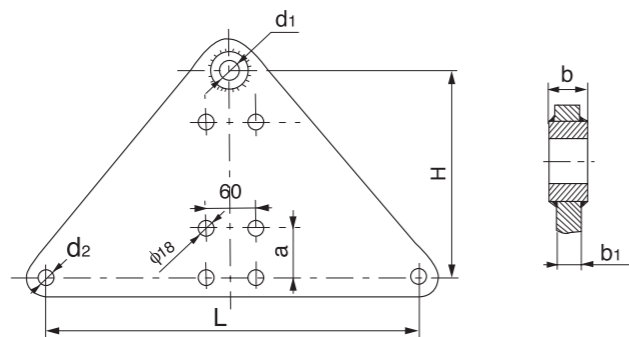


(图 42-5) (Fig. 42-5)

42-6

型号 Catalog No.	主要尺寸 Dimensions (mm)							破坏荷重 Rated Failure Load (kN)	重量 Weight (kg)
	b	b1	H	d1	d2	L			
L-2145	26	16	250	30	20	450	210	13.8	
L-2155	26	16	250	30	20	550	210	13.9	
L-3045	32	18	250	39	26	450	300	18.5	
L-3245	26	16	180	30	24	450	320	13.0	
L-4260	30	20	180	33	24	600	420	16.0	
L-6060	36	26	180	39	30	600	600	21.0	
L-1645T	18	18	250	26	20	450	160	15.0	
L-6045T	42	32	250	51	39	450	600	31.0	
L-8450S	36	36	220	51	39	500	840	37.6	
L-8450S1	36	36	250	51	39	500	840	35.0	
LZ-6450TS	36	28	250	45	33	500	640	26.0	

热镀锌钢制件。
Hot-dip galvanized steel.

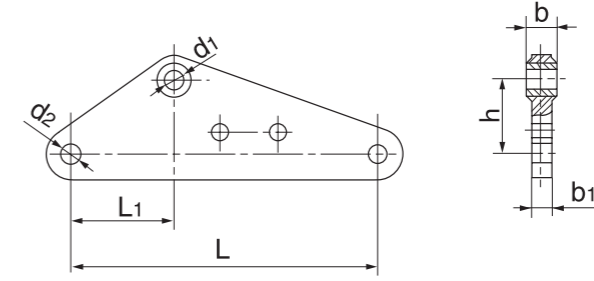


(图 42-6) (Fig. 42-6)

42-7

型号 Catalog No.	主要尺寸 Dimensions (mm)							破坏荷重 Rated Failure Load (kN)	重量 Weight (kg)
	b	b1	h	d1	d2	L1	L		
L-2060	26	18	120	30	24	200	600	200	11.8
L-3060	32	18	140	39	30	200	600	300	16.70

热镀锌钢制件。
Hot-dip galvanized steel.

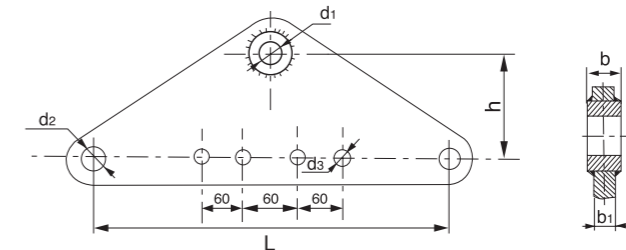


(图 42-7) (Fig. 42-7)

42-8

型号 Catalog No.	主要尺寸 Dimensions (mm)							破坏荷重 Rated Failure Load (kN)	重量 Weight (kg)
	L	d1	d2	d3	b	b1	h		
L-2550	500	33	26	18	30	22	150	250	10.0
L-2560	600	33	26	18	30	22	110	250	13.8
L-3250	500	39	26	14	32	22	150	320	22.0
L-4045	450	45	30	18	38	26	250	400	25.0
L-3050G	500	39	26	18	32	22	150	300	20.0
L-4045G	450	45	30	18	38	26	175	400	16.9
L-6450G	500	45	33	18	36	28	145	640	30.0
L-8450G	500	51	39	18	36	32	200	840	36.0
L-3245S	450	33	26	18	28	18	130	320	9.2
L-3250S	500	33	26	18	28	18	130	320	11.0
L-4245S	450	39	26	18	32	20	150	420	11.2
L-4250S	500	39	26	18	32	20	150	420	13.0
L-5045S	450	39	30	18	32	24	250	500	19.4
L-6450S	500	45	33	18	36	28	145	640	20.5
L-6450S1	500	45	39	18	36	32	160	640	26.8
LT-1645	450	26	20	18	18	18	110	160	7.9
LT-1650	500	26	24	14	22	22	110	160	11.2
LT-2150G	500	26	20	18	20	20	130	210	12.0

热镀锌钢制件。
Hot-dip galvanized steel.



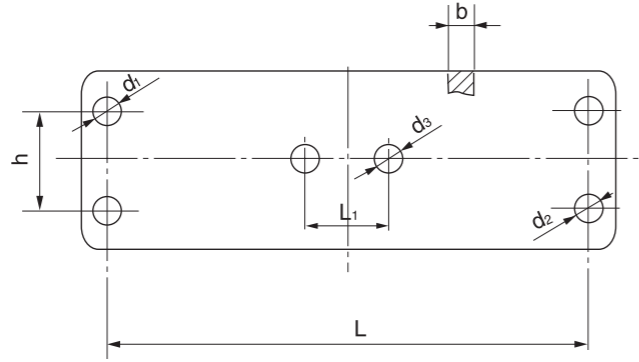
(图 42-8) (Fig. 42-8)

43. 联板 (LF 型)

Yoke Plates (Type LF)

型号 Catalog No.	主要尺寸 Dimensions (mm)							破坏荷重 Rated Failure Load (kN)	重量 Weight (kg)
	b	h	d1	d2	L	d3	L1		
LF-2140	16	70	20	20	400	-	-	210	5.5
LF-2540	16	110	24	24	400	-	-	250	9.2
LF-3040	18	120	26	26	400	-	-	300	11.2
LF-3045	18	100	26	26	450	18	80	300	12.5
LF-3050	18	140	26	26	450	-	-	300	16.5
LF-4050	26	250	30	30	500	18	80	400	38.1
LF-4245	26	120	30	30	450	-	-	420	20.3
LF-4260	26	190	24	24	600	18	80	420	27.5

热镀锌钢制件。
Hot-dip galvanized steel.

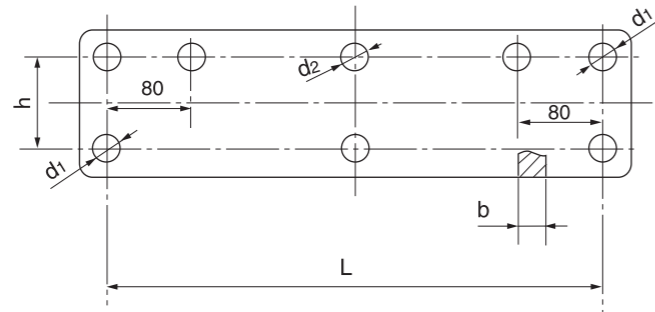


44. 联板 (LJ 型)

Yoke plates (type LJ)

型号 Catalog No.	主要尺寸 Dimensions (mm)					破坏荷重 Rated Failure Load (kN)	重量 Weight (kg)
	b	h	d1	d2	L		
LJ-1040	16	70	18	20	400	100	6.5
LJ-1240	16	70	18	24	400	120	6.5
LJ-1640	18	100	20	26	400	160	9.5

热镀锌钢制件。
Hot-dip galvanized steel.



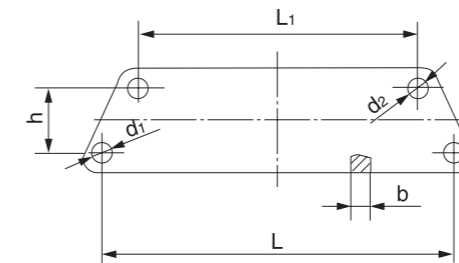
45. 联板 (LS 型)

Yoke Plates (Type LS)

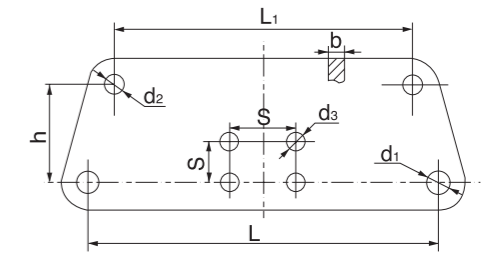
45-1

型号 Catalog No.	主要尺寸 Dimensions (mm)						破坏荷重 Rated Failure Load (kN)	重量 Weight (kg)
	b	h	d1	d2	L	L1		
LS-1212	16	65	18	20	400	120	120	5.0
LS-1221	16	65	18	20	400	210	120	5.4
LS-1225	16	65	18	20	400	250	120	5.5
LS-1229	16	65	18	20	400	290	120	5.7
LS-1233	16	65	18	20	400	330	120	5.9
LS-1237	16	65	18	20	400	370	120	6.1
LS-1255	16	65	18	20	400	550	120	8.7
LS-16	18	100	26	26	400	200	160	11.3
LS-1633	18	65	20	20	400	330	160	7.5
LS-3020	18	65	26	26	400	200	300	7.0
LS-645045S	28	130	33	33	450	500	640	24.7

热镀锌钢制件。(图 45-1)
Hot-dip galvanized steel.(Fig. 45-1)



(图 45-1) (Fig. 45-1)



(图 45-2) (Fig. 45-2)

45-2

型号 Catalog No.	主要尺寸 Dimensions (mm)								破坏荷重 Rated Failure Load (kN)	重量 Weight (kg)
	b	h	d1	d2	d3	S	L	L1		
LS-6055D	34	130	39	39	18	60	450	500	600	36.0
LS-10045	38	250	45	45	26	80	650	450	1000	71.0
LS-645045S	28	200	33	33	26	80	450	500	640	34.2
LS-645550S	28	200	33	33	26	80	500	550	640	35.6
LS-8450S	32	200	39	39	22	80	500	500	840	40.8
LS-845045S	32	200	39	39	26	80	450	500	840	34.2
LS-845550S	32	120	39	39	18	80	500	550	840	31.0

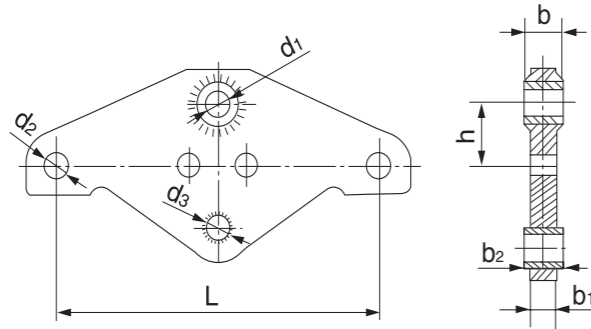
热镀锌钢制件。(图 45-2)
Hot-dip galvanized steel.(Fig. 45-2)

46. 联板 (LL 型)

Yoke Plates (Type LL)

型号 Catalog No.	主要尺寸 Dimensions (mm)								破坏荷重 Rated Failure Load (kN)	重量 Weight (kg)
	b	b1	b2	h	L	d1	d2	d3		
LL-1645	18	18	18	70	450	26	20	24	160	6.9
LL-2050	26	18	18	70	500	30	18	24	200	8.7
LL-2145	26	18	18	70	450	30	20	24	210	8.7
LL-2545	30	18	18	70	450	33	20	24	250	8.3
LL-2550	30	18	18	70	500	33	18	24	250	8.1
LL-3045	32	18	18	100	450	39	20	26	300	8.0
LL-3245	32	22	22	70	450	39	26	26	320	9.2
LL-4025	38	26	26	120	450	45	20	30	400	13.1
LL-4245	36	18	26	120	450	42	20	30	420	11.1
LL-4045A	38	18	26	120	450	45	26	30	400	9.3
LL-1645B	18	18	18	100	450	26	20	26	160	6.2
LL-4250G	32	18	18	80	500	39	24	26	420	10.3
LL-2145S	20	16	16	80	450	26	20	24	210	7.9
LL-2150S	20	16	16	60	500	26	20	24	210	8.5
LL-3245S	28	18	18	120	450	33	20	26	320	9.0
LL-3250S	28	18	18	80	500	33	20	26	320	7.9
LL-4245S	32	20	20	140	450	39	20	26	420	9.7
LL-4250S	32	20	20	145	500	39	20	26	420	12.1
LL-6450S	36	22	28	145	500	45	26	33	640	13.9
LL-2150ST	20	16	16	70	500	26	18	24	210	7.1

热镀锌钢制件。
Hot-dip galvanized steel.

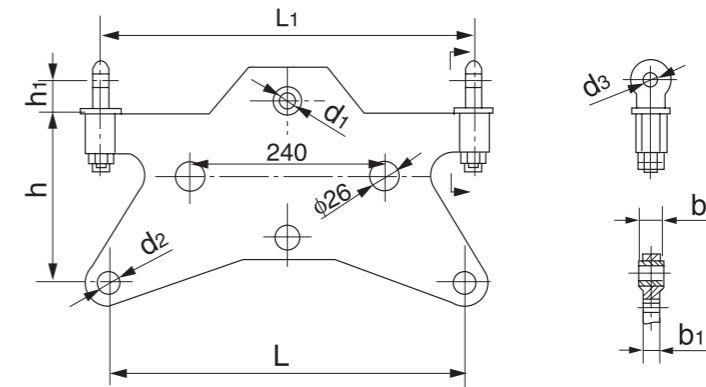


47. 联板 (LK 型)

Yoke Plates (Type LK)

型号 Catalog No.	主要尺寸 Dimensions (mm)									破坏荷重 Rated Failure Load (kN)	重量 Weight (kg)
	b	b1	h	h1	L	L1	d1	d2	d3		
LK-0745	16	16	225	40	450	450	18	18	18	70	17.3
LK-1045	16	16	230	40	450	450	20	18	18	100	16.0
LK-1645	18	18	230	40	450	450	26	18	18	160	17.0
LK-164745	18	18	225	40	450	470	26	18	18	160	15.4
LK-164745.1	22	18	195	40	450	470	26	18	18	160	14.0
LK-164945	18	18	230	40	450	490	26	18	18	160	16.9
LK-205045	26	18	230	40	450	500	30	18	18	200	15.6
LK-214745	26	18	195	40	450	470	26	18	18	210	15.3
LK-214945	26	18	230	40	450	490	30	18	18	210	18.3
LK-215045	18	18	230	40	450	500	26	18	18	210	18.3
LK-2145D	24	24	225	40	450	450	30	18	18	210	28.1
LK-0745S	16	16	193	40	450	450	18	18	18	70	11.6
LK-1645S	18	18	230	40	450	450	26	18	18	160	16.6
LK-1650S	18	18	265	40	500	500	26	18	18	160	20.4
LK-2145S	26	18	195	40	450	450	26	18	18	210	20.4
LK-3250S	28	18	265	40	500	500	33	18	18	320	21.6
LK-165550S	18	18	305	40	500	550	26	18	18	160	19.8
LK-215550S	26	18	305	40	500	550	26	18	18	210	19.8
LK-255550S	24	18	265	40	500	550	30	20	18	250	21.3

热镀锌钢制件。
Hot-dip galvanized steel.

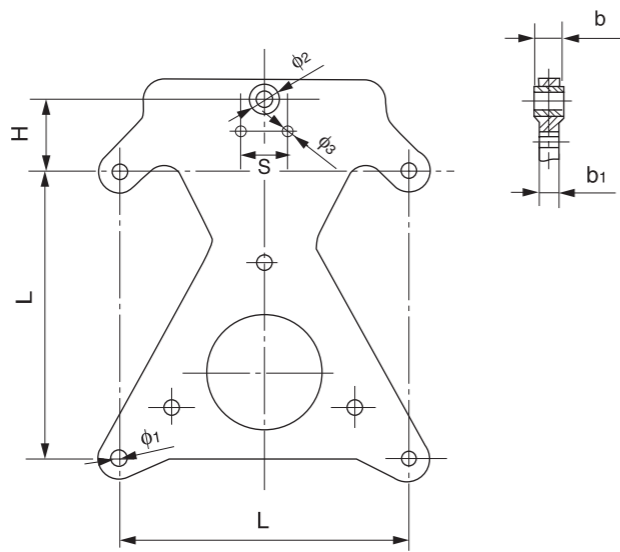


48. 联板 (LX 型)

Yoke Plates (Type LX)

型号 Catalog No.	主要尺寸 Dimensions (mm)								破坏荷重 Rated Failure Load (kN)	重量 Weight (kg)
	L	H	ϕ_1	ϕ_2	ϕ_3	b	b1	S		
LX-1645	450	95	20	26	18	18	18	80	160	26.0
LX-2145	450	95	18	30	18	26	18	80	210	20.0
LX-2545	450	95	20	33	18	30	18	80	250	25.5
LX-3045	450	95	24	39	14	32	18	80	300	27.1
LX-3245	450	95	20	39	18	32	18	80	320	27.4
LX-4245	450	100	22	39	18	22	22	60	420	35.4
LX-1645A	450	95	20	26	18	18	18	80	160	26.0
LX-2145S	450	95	18	26	18	20	16	80	210	21.3
LX-2150S	500	95	18	26	18	20	16	80	210	25.5
LX-3250S	500	95	20	33	18	28	18	80	320	29.0
LX-4250S	450	95	20	39	18	32	18	80	420	29.0
LX-6450S	500	95	20	45	18	36	18	80	640	30.5

热镀锌钢制件。
Hot-dip galvanized steel.



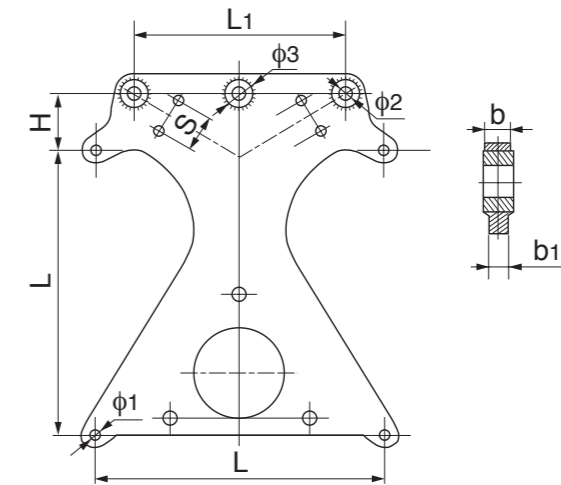
49. 联板 (LXV 型)

Yoke Plates (Type LXV)

49-1

型号 Catalog No.	主要尺寸 Dimensions (mm)									破坏荷重 Rated Failure Load (kN)	重量 Weight (kg)
	L	L1	H	b1	b	S	ϕ_1	ϕ_2	ϕ_3		
LXV-1645	450	380	110	18	18	80	20	26	26	160	19.5
LXV-2045	450	380	95	18	26	-	20	26	30	200	24.2
LXV-2045.1	450	380	110	18	26	80	20	26	30	200	23.6
LXV-2145	450	380	110	18	27	80	20	30	30	210	25.1
LXV-2145.1	450	380	100	18	26	-	18	30	30	210	-
LXV-214945	490	450	110	20	20	80	20	30	35	210	30.0
LXV-214945.1	490	450	110	20	20	80	20	30	35	210	30.0
LXV-2545	450	380	110	18	30	80	20	33	33	250	20.0
LXV-3245	450	380	95	18	32	-	20	30	39	320	20.0
LXV-1650V	500	250	-	18	18	80	24	26	26	160	27.9
LXV-2150S	500	500	100	18	20	-	20	26	26	210	29.4
LXV-3250S	500	500	100	18	18	-	20	33	26	320	30.0
LXV-4250S	500	500	100	18	32	-	20	39	26	420	30.0
LXV-6450S	500	500	100	18	36	-	20	45	26	640	31.5
LXV-2145S1	450	380	100	16	20	-	20	26	26	210	21.4
LXV-2150S1	500	500	100	20	20	80	20	26	26	210	29.3

热镀锌钢制件。
Hot-dip galvanized steel.

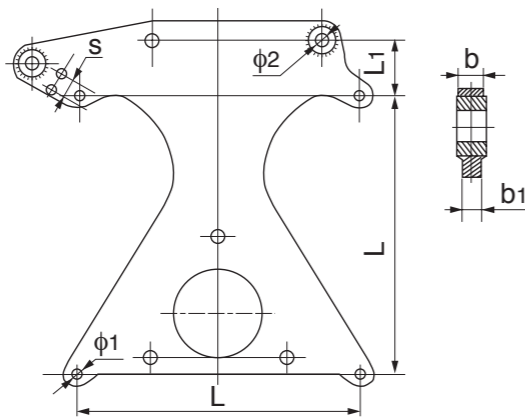


(图 49-1) (Fig. 49-1)

49-2

型号 Catalog No.	主要尺寸 Dimensions (mm)							破坏荷重 Rated Failure Load (kN)	重量 Weight (kg)
	L	L1	b1	b	S	$\phi 1$	$\phi 2$		
LXV-1645Z	450	196	18	18	80	20	26	160	26.6
LXV-2545Z	450	196	18	30	80	20	33	250	30.0
LXV-2145Z	500	100	18	20	-	20	26	210	31.1
LXV-3045Z	450	196	18	32	80	20	39	300	32.7
LXV-3245Z	450	195	18	32	-	20	39	320	33.5
LXV-3250Z	500	100	18	28	-	20	33	320	31.6
LXV-3045Z1	450	450	26	26	80	20	38	300	50

热镀锌钢制件。(图 49-2)
Hot-dip galvanized steel.(Fig. 49-2)



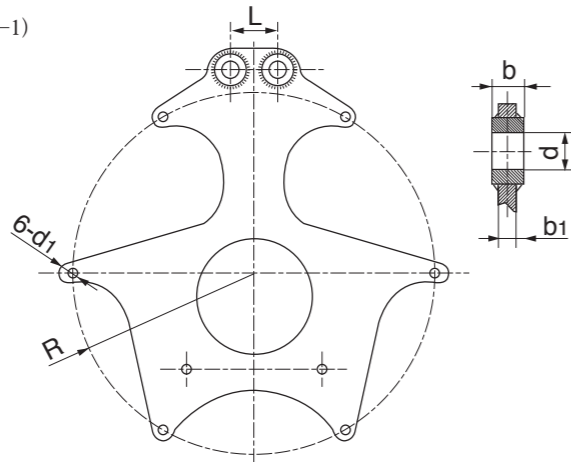
(图 49-2) (Fig. 49-2)

50. 联板 (500kV 六分裂紧凑型)
Yoke Plates (For 500kV Six-Conductor Compact Lines)

50-1

型号 Catalog No.	主要尺寸 Dimensions (mm)						破坏荷重 Rated Failure Load (kN)	重量 Weight (kg)
	R	L	b1	b	d	d1		
LV-1675/6S	375	100	18	18	26	18	160	33.5
LV-3075/6S	375	100	18	32	39	18	300	34.5

热镀锌钢制件。(图 50-1)
Hot-dip galvanized steel.(Fig. 50-1)

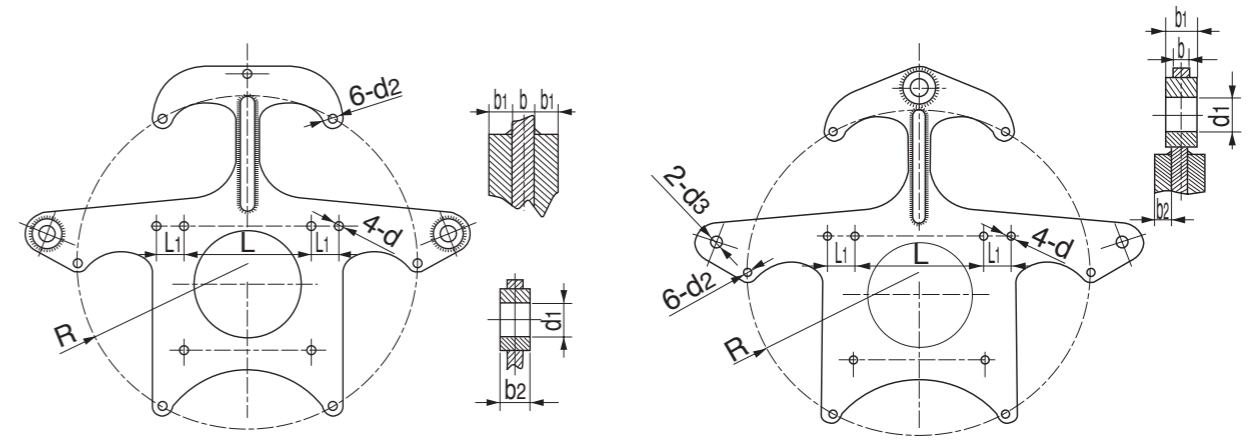


(图 50-1) (Fig. 50-1)

50-2

型号 Catalog No.	主要尺寸 Dimensions (mm)									简图 Fig. No	破坏荷重 Rated Failure Load (kN)	重量 Weight (kg)
	R	L	L1	b	b1	b2	d	d1	d2			
LVS-3075/6X	375	280	60	18	18	32	18	39	18	1	300	35.0
LVS-5075/6X	375	280	60	18	18	38	18	45	18	1	500	42.0
LV-4075/6X	375	280	60	18	36	18	18	39	18	2	400	37.6

热镀锌钢制件。
Hot-dip galvanized steel.



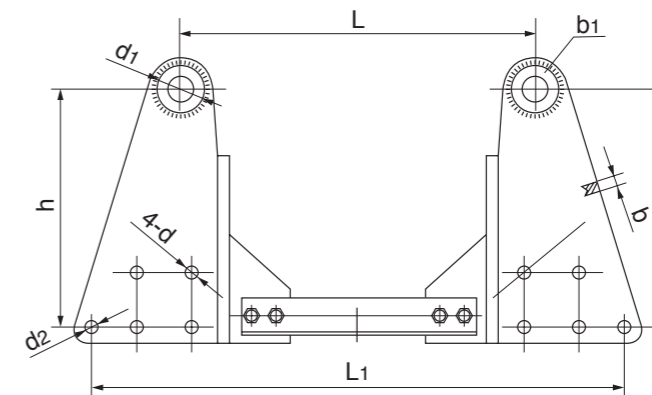
(图 50-2.1) (Fig 50-2.1)

(图 50-2.2) (Fig 50-2.2)

50-3

型号 Catalog No.	主要尺寸 Dimensions (mm)								破坏荷重 Rated Failure Load (kN)	重量 Weight (kg)
	L1	L	b	b1	d	d1	d2	h		
LV-1675/6	70	500	18	-	18	26	20	350	160	47.6
LV-3075/6	750	500	18	32	18	39	20	350	300	47.6

热镀锌钢制件。
Hot-dip galvanized steel.



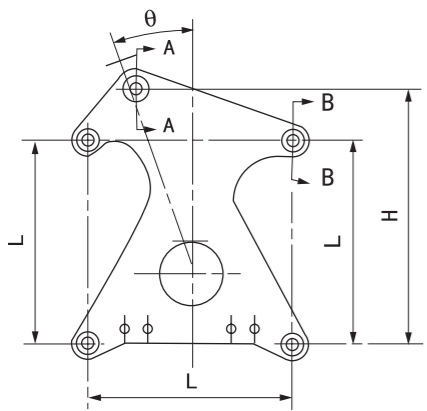
(图 50-3) (Fig. 50-3)

51. 调平联板 (SP 型)

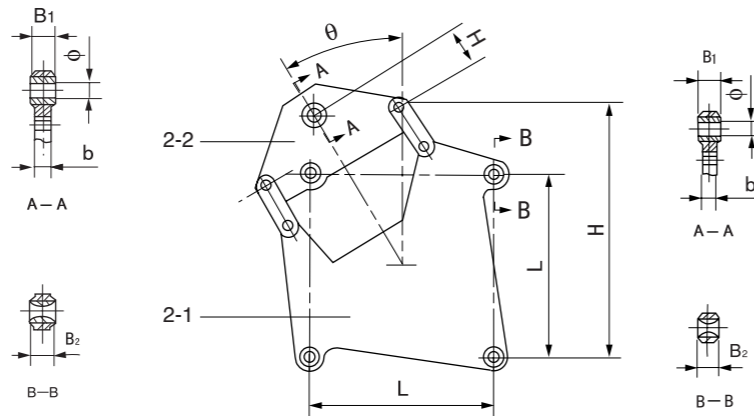
Horizon-adjusting Plates (Type SP)

型号 Catalog No.	简图 Fig. No.	主要尺寸 Dimensions (mm)							破坏荷重 Rated Failure Load (kN)	重量 Weight (kg)
		θ°	B1	B2	b	ϕ	L	H		
SP10-1645	1	10°	24	24	18	26	450	582	160	28.2
SP20-1645	1	20°	24	24	18	26	450	596	160	28
SP30-1645	2	30°	24	24	18	26	450	595	160	39.5
SP40-1645	2	40°	24	24	18	26	450	560	160	39.5
SP30(60)-1845	2	30°	30	26	16	33	450	560	180	39.5
SP40(50)-1845	2	40°	30	26	16	33	450	560	180	33.0
SP10-2545	1	10°	30	26	16	33	450	582	250	23.0
SP20-2545	1	20°	30	26	16	33	450	596	250	23.0
SP30(60)-2545	2	30°	30	26	16	33	450	596	250	34.0
SP40(50)-2545	2	40°	30	26	16	33	450	560	250	33.0
SP30-1845.1	2-1	30°	-	18	-	26	450	-	180	26.4
SP40-1845.1	2-1	40°	-	18	-	26	450	-	180	27.7
SP10-2545.1	1	10°	30	18	18	33	450	550	250	25.6
SP20-2545.1	1	20°	30	18	18	33	450	550	250	25.3
SP30-2545.1	2-2	-	30	-	18	33	450	120	250	10.0
SP40-2545.1	2-2	-	30	-	18	33	450	120	250	10.0

热镀锌钢制件。
Hot-dip galvanized steel.



(图 1) (Fig. 1)



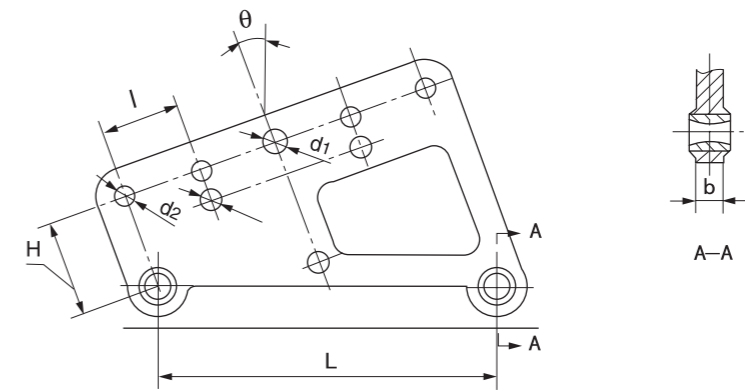
(图 2) (Fig. 2)

52. 调平联板 (LTP 型)

Horizon-adjusting Plates (Type LTP)

型号 Catalog No.	主要尺寸 Dimensions (mm)									破坏荷重 Rated Failure Load (kN)	重量 Weight (kg)
	α°	d1	d2	d3	l	b1	b	H	L		
LTP-1640-10	10°	26	18	20	80	30	18	80	400	160	10.2
LTP-1640-20	20°	26	18	20	80	30	18	80	400	160	10.1
LTP-1640-30	30°	26	18	20	80	30	18	80	400	160	7.9
LTP-1640-40	40°	26	18	20	80	30	18	80	400	160	9.2

热镀锌钢制件。
Hot-dip galvanized steel.

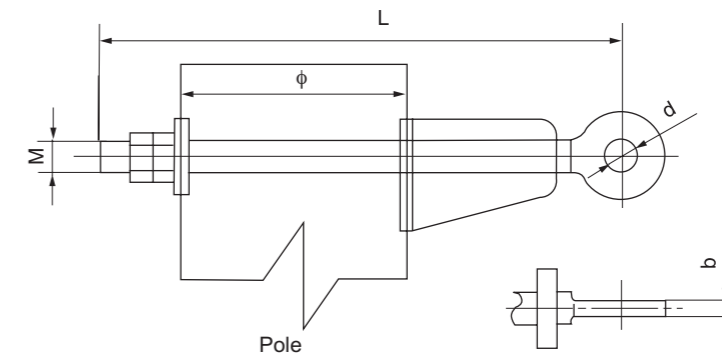


53. 避雷线悬垂吊架

Ground Wire Hangers

型号 Catalog No.	适用范围 Suitable Range	主要尺寸 Dimensions (mm)				重量 Weight (kg)
		b	M	d	L	
BD-1839	$\phi 190$ 锥形钢筋混凝土电杆	18	18	20	390	4.3
BD-2244	$\phi 230$ 锥形钢筋混凝土电杆	18	22	20	440	4.8
BD-2451	$\phi 300$ 锥形钢筋混凝土电杆	18	24	20	510	5.3
BD-2762	$\phi 400$ 锥形钢筋混凝土电杆	18	27	20	620	7.1

热镀锌钢制件。
Hot-dip galvanized steel.



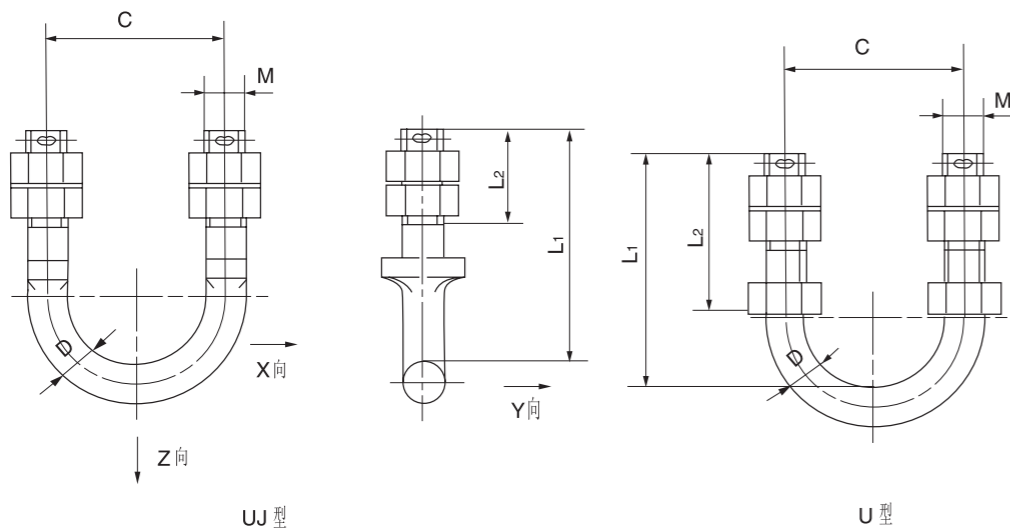
54. U型螺丝

U-bolts

型号 Catalog No.	主要尺寸 Dimensions (mm)					额定荷重 Rated Load (kN)			重量 Weight (kg)
	C	M	D	L1	L2	X 向	Y 向	Z 向	
	U-1880	80	18	18	90	60	18	3.5	
U-2080	80	20	20	100	70	18	5.3	35	1.1
U-2280	80	22	22	118	90	24	4.9	47	1.3
UJ-1880	80	18	18	105	50	24	7.4	47	0.9
UJ-2080	80	20	20	120	60	28	6.5	57	1.1
UJ-2280	80	22	22	127	65	28	10.8	57	1.4
UJ-1660	60	16	16	100	50	-	-	-	0.6
U-1660	60	16	16	90	60	-	-	-	0.6
U-1670	70	16	16	140	70	-	-	-	0.8
U-1680	80	16	16	122	80	-	-	-	0.6
U-1870	70	18	18	122	85	-	-	-	0.9
U-1880.1	80	18	18	122	80	-	-	-	0.9
U-2080.1	80	20	20	130	90	-	-	-	1.1
U-2090	90	20	20	145	90	-	-	-	1.4
U-20100	100	20	20	130	85	-	-	-	1.3
U-2280.1	80	22	22	138	95	-	-	-	1.4
UJ-2280.1	80	22	22	146	85	-	-	-	1.2

闭口销为不锈钢件，其余为热镀锌钢制件。

The cotter pins are stainless steel, the other parts are hot-dip galvanized steel.



UJ 型

U 型

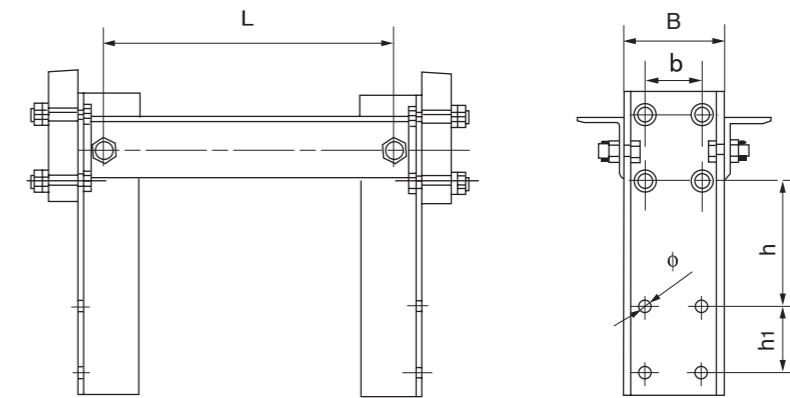
55. 支撑架 (ZCJ 型)

Support Brackets (ZCJ)

型号 Catalog No.	主要尺寸 Dimensions (mm)						重量 Weight (kg)
	ϕ	B	b	h1	h	L	
	ZCJ-45	18	120	60	60	100	
ZCJ-45H	18	120	60	60	245	420	13.2
ZCJ-50S	18	120	60	60	100	480	13.5
ZCJ-450	26	160	80	80	150	486	30.8

闭口销为不锈钢件，其余为热镀锌钢制件。

The cotter pins are stainless steel, the other parts are hot-dip galvanized steel.



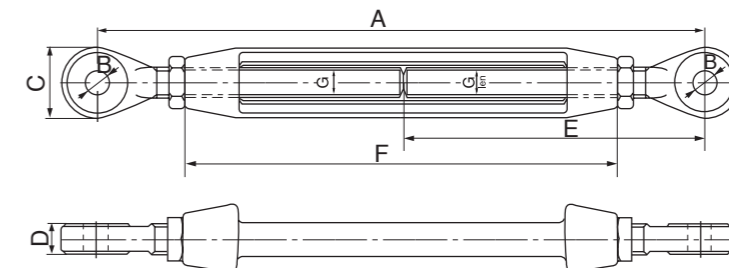
56. 花兰螺丝 (LH2 型)

Turnbuckle (Type LH2)

型号 Catalog No.	主要尺寸 Dimensions (mm)							破坏荷重 Rated Failure Load (kN)	重量 Weight (kg)
	A	B	C	D	E	F	G		
LH2-7B	400~600	17.5	42	16	197	260	20	70	2.5
LH2-7BU	400~600	17.5	42	16	197	260	20	70	2.5
LH2-7U	400~600	17.5	42	16	197	260	20	70	2.5
LH2-12B	440~430	21.5	46	18	215	290	24	120	3.6
LH2-12BU	440~630	21.5	46	18	215	290	24	120	3.6
LH2-12U	440~630	21.5	46	18	215	290	24	120	3.6
LH2-16B	590~890	25.5	54	20	290	380	27	160	6.9
LH2-16BU	590~890	25.5	54	20	290	380	27	160	6.9
LH2-16U	590~890	25.5	54	20	290	380	27	160	6.9

热镀锌钢制件。

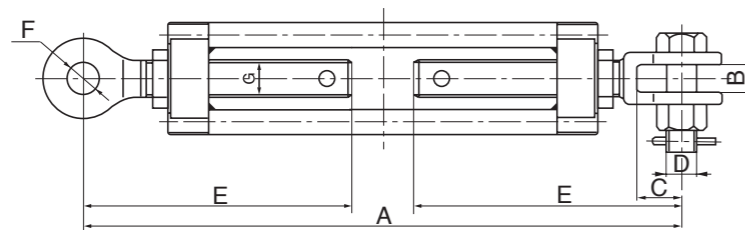
Made of hot-dip galvanized steel.



57. 花兰螺丝 (LH型)
Turnbuckle (Type LH)

型号 Catalog No.	主要尺寸 Dimensions (mm)							破坏荷重 Rated Failure Load (kN)	重量 Weight (kg)
	A	B	C	D	E	F	G		
LH-7BU	350~500	20	32	16	170	18	20	70	2.1
LH-12BU	400~550	24	46	20	195	22	24	120	2.8
LH-16BU	500~650	30	54	24	245	26	27	160	6.5

热镀锌钢制件。
Made of hot-dip galvanized steel.

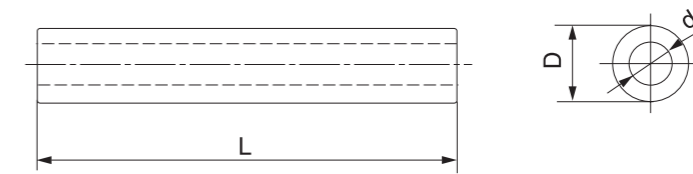


四、接续金具
SPLICING FITTING

1. 接续管 (钢绞线用)
Splicing Sleeves for Steel Wire

型号 Catalog No.	适用钢绞线 Suitable Steel Wire	主要尺寸 Dimensions (mm)			握力 Slip Strength (kN)	重量 Weight (kg)
		D	d	L		
JY-35G	GJ-35	16	8.4	220	45	0.3
JY-50G	GJ-50	18	9.6	240	60	0.4
JY-55G	GJ-55	22	10.3	240	65	0.6
JY-60G	GJ-60	20	10.2	280	75	0.6
JY-70G	GJ-70	22	11.7	290	88	0.7
JY-80G	GJ-80	24	12.2	290	90	0.8
JY-100G	GJ-100	26	13.7	340	123	1.0
JY-125G	GJ-125	26	15.2	380	150	1.3
JY-150G	GJ-150	32	16.5	430	162	2.0

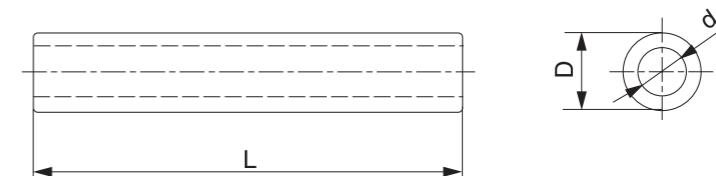
钢制件，热镀锌。
Hot-dip galvanized steel.



2. 接续管 (钢绞线用，爆压搭接)
Splicing Sleeves for Steel Wire (Explosive Overlap Joint)

型号 Catalog No.	适用钢绞线 Suitable Steel Wire	主要尺寸 Dimensions (mm)			握力 Slip Strength (kN)	重量 Weight (kg)
		D	d	L		
JBD-35G	GJ-35	22	16	110	45	0.2
JBD-50G	GJ-50	25	17	130	60	0.3
JBD-55G	GJ-55	26	18	130	65	0.3
JBD-70G	GJ-70	28	20	150	88	0.4
JBD-80G	GJ-80	29	21	150	90	0.5
JBD-100G	GJ-100	32	23	170	123	0.6

钢制件，热镀锌。
Hot-dip galvanized steel.

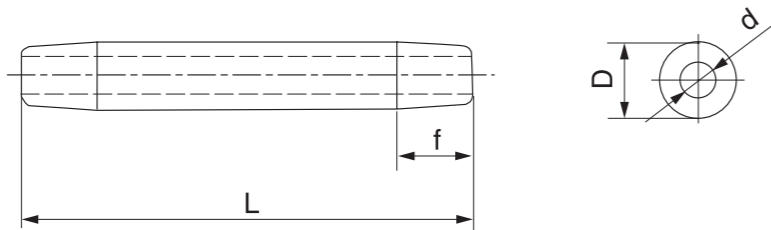


3. 接续管 (铝绞线用)

Splicing Sleeves for Aluminium Conductor

型号 Catalog No.	适用导线 Suitable Conductor	主要尺寸 Dimensions (mm)				握力 Slip Strength (kN)	重量 Weight (kg)
		D	f	d	L		
JY-150L	LJ-150	30	20	17.0	280	22	0.4
JY-185L	LJ-185	32	20	19.0	310	27	0.5
JY-210L	LJ-210	34	20	20.0	330	31	0.6
JY-240L	LJ-240	36	20	21.5	350	34	0.7
JY-300L	LJ-300	40	25	24.0	390	45	1.0
JY-400L	LJ-400	45	25	27.5	450	58	1.4
JY-500L	LJ-500	52	30	30.5	510	73	2.1
JY-630L	LJ-630	60	35	34.5	570	87	2.9
JY-800L	LJ-800	65	40	38.5	650	110	3.7

铝制件。
Material is aluminium.

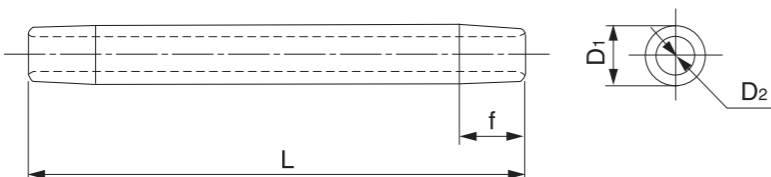


4. 接续管 (10kV 线路用)

Splicing Sleeves for Insulated Overhead Cable (10kV)

型号 Catalog No.	适用导线 Suitable Conductor	主要尺寸 Dimensions (mm)				握力 Slip Strength (kN)	重量 Weight (kg)
		D1	D2	f	L		
JY-35LY	JKLYJ-35	20	7.6	15	130	4.9	0.1
JY-50LY	JKLYJ-50	20	9.0	15	140	6.7	0.1
JY-70LY	JKLYJ-70	22	11.0	15	170	9.8	0.2
JY-95LY	JKLYJ-95	26	12.5	15	190	13.0	0.2
JY-120LY	JKLYJ-120	26	14.0	15	210	16.5	0.3
JY-150LY	JKLYJ-150	30	15.5	20	240	20.0	0.3
JY-185LY	JKLYJ-185	32	17.0	20	260	25.4	0.4
JY-240LY	JKLYJ-240	36	19.5	20	290	33.0	0.5

铝制件。注：外绝缘用的胶片可以配套供应。
Material is aluminium. Note: the material for insulation can be supplied.

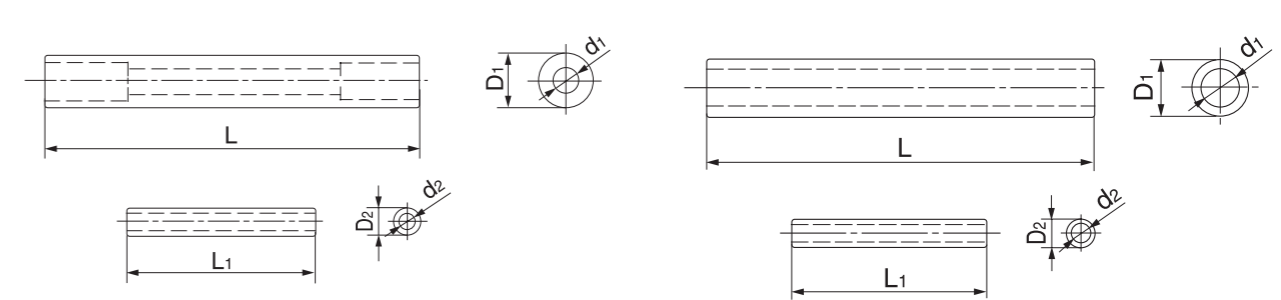


5. 接续管 (钢芯铝绞线用)

Splicing Sleeves for ACSR Conductor

型号 Catalog No.	适用导线 Suitable Conductor	主要尺寸 Dimensions (mm)						握力 Slip Strength (kN)	重量 Weight (kg)
		D1	D2	d1	d2	L	L1		
JY-50/30	LGJ-50/30	32	16	21.0	7.6	430	180	41	0.9
JY-60/35	LGJ-60/35	32	16	21.0	8.2	460	195	46	0.9
JY-70/40	LGJ-70/40	32	16	21.0	8.8	450	215	55	1.2
JY-95/55	LGJ-95/55	34	22	23.5	10.2	500	260	74	1.1
JY-95/140	LGJ-95/140	45	30	32.0	16.2	685	415	163	3.2
JY-120/25	LGJ-120/25	30	14	17.0	6.9	450	160	45	0.8
JY-150/25	LGJ-150/25	30	14	18.5	6.8	480	170	51	0.9
JY-720/50	ACSR-720/50	60	20	38.0	9.7	870	250	162	4.5

外管为铝制件，内管为热镀锌钢制件。(图 5)
The outer sleeve is aluminium, inner sleeve is hot-dip galvanized steel.(Fig. 5)



(图 5) (Fig. 5)

(图 6) (Fig. 6)

6. 接续管 (钢芯铝绞线用, 爆压搭接)

Splicing Sleeves for ACSR Conductor (Explosive Overlap Joint)

型号 Catalog No.	适用导线 Suitable Conductor	主要尺寸 Dimensions (mm)						握力 Slip Strength (kN)	重量 Weight (kg)
		D1	D2	d1	d2	L	L1		
JYB-185/25	LGJ-185/25	34	18	21	11.2	380	120	56.5	0.8
JYB-240/30	LGJ-240/30	36	22	23.5	13.2	430	130	71.9	1.1
JYB-300/40	LGJ-300/40	40	22	25.5	17.0	430	120	87.0	1.1
JYB-300/50	LGJ-300/50	40	22	26.0	17.0	460	140	98.0	1.1
JYB-300/70	LGJ-300/70	42	25	27.0	20.0	550	160	122	1.4
JYB-400/35	LGJ-400/35	45	22	29.0	16.0	510	120	98.8	1.5
JYB-400/50	LGJ-400/50	45	24	29.5	19.0	500	140	117.0	1.5
JYB-400/65	LGJ-400/65	48	26	29.5	21.0	530	160	128.0	1.8
JYB-400/95	LGJ-400/95	48	29	31.0	23.0	560	170	163.0	1.9
JYB-500/65	LGJ-500/65	52	24	32.5	19.0	560	160	146.0	2.2

外管为铝制件，内管为热镀锌钢制件。(图 6)
The outer sleeve is aluminium, inner sleeve is hot-dip galvanized steel.(Fig. 6)

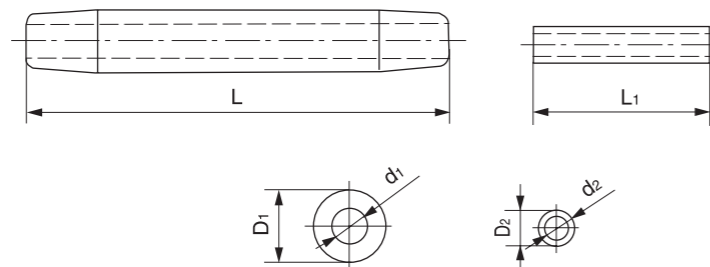
7. 接续管 (钢芯铝绞线用, 液压搭接)

Splicing sleeves for ACSR Conductor (Hydraulic Overlap Joint)

型号 Catalog No.	适用导线 Suitable Conductor	主要尺寸 Dimensions (mm)						握力 Slip Strength (kN)	重量 Weight (kg)
		D1	D2	L	L1	d1	d2		
JYD-50/30	LGJ-50/30	32	18	300	100	20	12	41	0.6
JYD-95/15	LGJ-95/15	30	14	290	60	16	8.2	33	0.5
JYD-95/55	LGJ-95/55	34	24	370	110	26	16	74	0.9
JYD-120/20	LGJ-120/20	34	18	330	70	25	9	39	0.7
JYD-120/70	LGJ-120/70	36	24	370	110	27	17.5	93	0.8
JYD-150/35	LGJ-150/35	36	22	360	100	26	12.5	62	1.2
JYD-185/30	LGJ-185/30	34	18	420	120	20	12	62	0.9
JYD-185/45	LGJ-185/45	34	24	360	90	26	14	76	0.7
JYD-240/30	LGJ-240/30	36	20	460	100	23	12	72	1.1
JYD-240/40	LGJ-240/40	36	20	440	100	23	13.3	79	1.0
JYD-240/55	LGJ-240/55	36	22	470	120	24	16	97	1.1
JYD-300/15	LGJ-300/15	40	18	470	70	24.5	8.4	65	1.3
JYD-300/20	LGJ-300/20	40	18	490	60	25	9.8	72	1.3
JYD-300/25	LGJ-300/25	40	20	480	90	25.5	11.2	79	1.3
JYD-300/40	LGJ-300/40	40	20	490	100	25.5	13.3	88	1.3
JYD-300/50	LGJ-300/50	40	22	490	120	26	15	98	1.3
JYD-300/70	LGJ-300/70	42	24	520	130	27.2	18	122	1.5
JYD-400/20	LGJ-400/20	45	18	550	80	28.5	9.8	84	1.8
JYD-400/25	LGJ-400/25	45	20	550	90	28.5	11.2	91	1.8
JYD-400/35	LGJ-400/35	45	22	540	100	28.5	13	99	1.8
JYD-400/50	LGJ-400/50	45	24	570	120	29.5	15.4	117	1.9
JYD-400/65	LGJ-400/65	48	26	560	130	29.5	17.2	129	2.3
JYD-400/95	LGJ-400/95	48	28	560	170	31	21	163	1.7
JYD-500/35	LGJ-500/35	52	22	620	100	31.5	14	114	2.9
JYD-500/45	LGJ-500/45	52	24	610	110	31.5	14	122	2.9
JYD-500/65	LGJ-500/65	52	26	640	130	32.5	17.2	146	3.0
JYD-630/45	LGJ-630/45	60	24	690	110	34.5	14	141	3.8
JYD-630/55	LGJ-630/55	60	26	680	120	36	16	156	3.7
JYD-800/55	LGJ-800/55	65	26	780	120	40	16	182	4.7
JYD-800/70	LGJ-800/70	65	26	760	130	40.5	18	197	4.8
JYD-720/50	ACSR-720/50	60	24	715	120	38	15	162	3.6
JYDH-720/50	ACSR-720/50	52	24	640	120	38	15	162	2.2

外管为铝制件, 内管为热镀锌钢制件。

The outer sleeve is aluminum, inner sleeve is hot-dip galvanized steel.



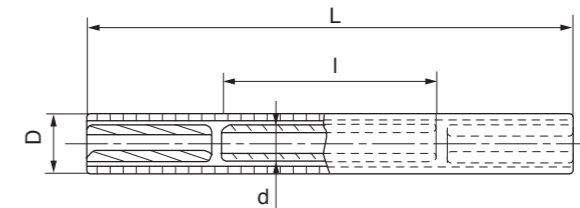
8. 接续管 (铝包钢绞线用)

Splicing Sleeves for AS. Stranded Wire

型号 Catalog No.	适用导线 Suitable Conductor	主要尺寸 Dimensions (mm)				握力 Slip Strength (kN)	重量 Weight (kg)
		D	d	L	l		
JY-50BG	LB20J-50	32	18	440	240	55.8	1.0
JY-55BG	JL20A-55DE	32	20	520	290	64.6	1.5
JY-55BG1	JLS2-25	30	20	440	260	60.0	1.0
JY-70BG	LB24J-70	32	20	550	320	65.8	1.7
JY-80BG	LB20J-80	34	24	550	320	85.0	2.2
JY-95BG	LB40J-95	34	24	550	330	56.0	1.7
JY-150BG	LB40J-150	40	26	640	380	90.0	2.2
JY-70/40BG	LB20J-70	34	22	550	320	80.5	1.6
JY-90BG-27	JLB2-40	36	24	590	350	97.6	1.8
JY-100BG-20	LB20J-100	38	26	620	380	115.6	2.3
JY-120BG-30	JLB3-120	36	26	640	400	91.2	2.0
JY-120BG-40	JLB4-120	36	24	630	380	70.5	2.2
JY-150BG-20	LB20J-150	38	26	660	400	86.1	2.2

内接续管为热镀锌钢制件, 外接续管及两端衬管为铝制件。

The inner sleeve is hot-dip galvanized steel, the outer sleeve and lining sleeves are aluminium.



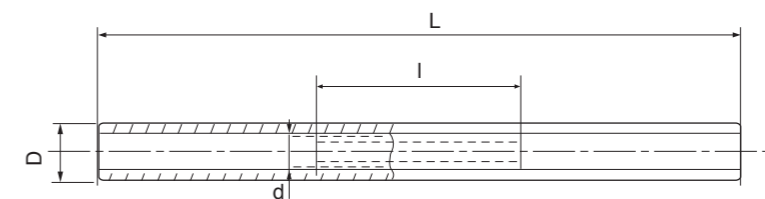
9. 接续管 (耐热导线用, 搭接)

Splicing Sleeves for HRAAS. Stranded Wire (Overlap Joint)

型号 Catalog No.	适用导线 Suitable Conductor	主要尺寸 Dimensions (mm)				握力 Slip Strength (kN)	重量 Weight (kg)
		D	d	L	l		
JYD-300/25N	NRLH58GJ-300/25	50	20	540	90	75.8	2.4
JYD-400/35N	NRLH58GJF-400/35	55	22	600	100	93.6	3.0

外管为铝制件, 内管为热镀锌钢制件。

The outer sleeve is aluminium, inner sleeve is hot-dip galvanized steel.



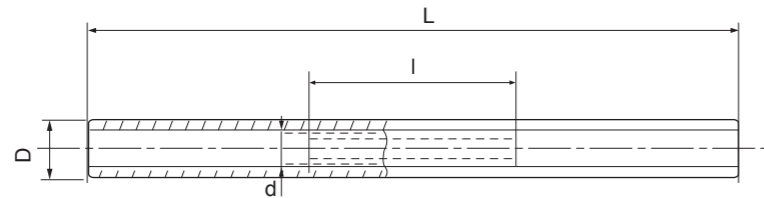
10. 接续管 (耐热导线用)

Splicing Sleeves for HRAAS. Stranded Wire

型号 Catalog No.	适用导线 Suitable Conductor	主要尺寸 Dimensions (mm)				握力 Slip Strength (kN)	重量 Weight (kg)
		D	d	L	l		
JY-185/30N	NRLH ⁵⁸ / ₆₀ -185/30	36	16	620	200	63	1.5
JY-240/30N	NRLH ⁵⁸ / ₆₀ -240/30	45	18	640	200	68	2.6
JY-400/65N	NRLH60GJ-400/65	55	24	800	280	132	4.6
JY-500/70N	NRLH55GJ-500/70	65	22	1120	320	200	7.8

外管为铝制件, 内管为热镀锌钢制件

The outer sleeve is aluminium, inner sleeve is hot-dip galvanized steel.



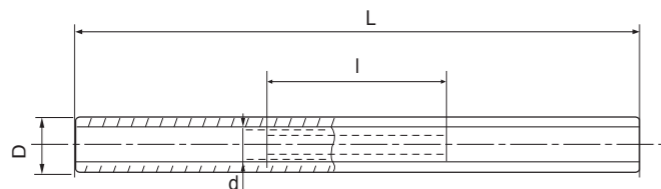
11. 接续管 (铝包钢芯铝绞线用, 搭接)

Splicing Sleeves for ACSR/AS. Stranded Wire (Overlap Joint)

型号 Catalog No.	适用导线 Suitable Conductor	主要尺寸 Dimensions (mm)				握力 Slip Strength (kN)	重量 Weight (kg)
		D	d	L	l		
JYD-70/40BG	JL/LB20A-70/40	34	20	330	110	58.0	0.8
JYD-120/70BG	JL/LB20A-120/70	36	24	380	120	96.0	0.9
JYD-185/30BG	ACSR/AS-185/30	36	18	490	130	62.9	1.4
JYD-240/30BG	ACSR/AS-240/30	38	20	490	110	74.0	1.2
JYD-240/40BG	ACSR/AS-240/40	38	22	500	110	81.6	1.2
JYD-300/25BG	ACSR/AS-300/25	42	20	500	90	74.4	1.4
JYD-300/40BG	ACSR/AS-300/40	42	22	530	110	90.0	1.5
JYD-300/50BG	ACSR/AS-300/50	42	24	550	130	101.0	1.5
JYD-300/70BG	ACSR/AS-300/70	42	24	600	160	117.8	1.6
JYD-400/35BG	ACSR/AS-400/35	48	22	560	100	99.0	2.1
JYD-400/50BG	ACSR/AS-400/50	48	24	590	130	117.0	2.1
JYD-500/45BG	ACSR/AS-500/45	52	24	690	120	124.0	2.8
JYD-630/45BG	ACSR/AS-630/45	60	24	740	130	144.0	4.6

外管为铝制件, 内管为热镀锌钢制件

The outer sleeve is aluminium, inner sleeve is hot-dip galvanized steel.



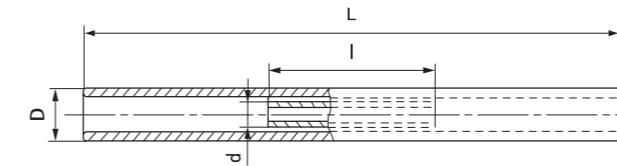
12. 接续管 (铝包钢芯铝绞线用)

Splicing Sleeves for ACSR/AS. Stranded Wire

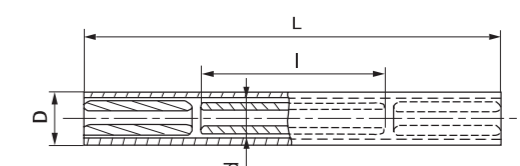
型号 Catalog No.	适用导线 Suitable Conductor	简图 Fig. No.	主要尺寸 Dimensions (mm)				握力 Slip Strength (kN)	重量 Weight (kg)
			D	d	L	l		
JY-50/30BG	JL/LB14-50/30	2	32	16	430	210	42.3	0.9
JY-70/40BG	JL/LB20A-70/40	2	34	16	430	210	42.3	0.9
JY-80/47BG	ACSR/AS-80/47	2	36	18	480	250	64.6	1.3
JY-95/55BG	ACSR/AS-95/55	2	36	20	500	260	74.0	1.4
JY-120/70BG	JL/LB20A-120/70	2	36	22	570	290	96.0	1.5
JY-185/45BG	ACSR/AS-185/45	1	36	18	600	260	78.8	1.6
JY-300/15BG	JL/LB ₁ A-300/15	1	40	18	485	80	65.0	1.3
JY-300BG/H-20	H/JL20A-300G	2	65	48	1160	670	400.0	12.0
JY-320BG/H	H/JLBG-320	2	65	48	1180	700	386.7	12.7

内接续管为热镀锌钢制件, 外接续管及两端衬管为铝制件。

The inner sleeve is hot-dip galvanized steel, the outer sleeve and lining sleeves are aluminium.



(图 1) (Fig. 1)



(图 2) (Fig. 2)

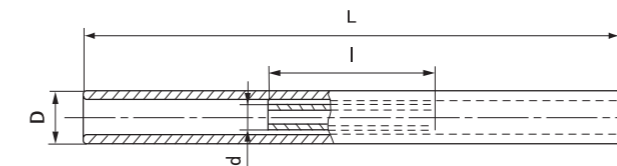
13. 接续管 (铝包钢芯铝绞线用, 爆压搭接)

Splicing Sleeves for ACSR/AS. Stranded Wire (Explosive Overlap Joint)

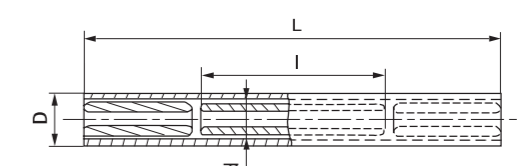
型号 Catalog No.	适用导线 Suitable Conductor	简图 Fig. No.	主要尺寸 Dimensions (mm)				握力 Slip Strength (kN)	重量 Weight (kg)
			D	d	L	l		
JYB-35BG	JLB1A-35	2	30	15	430	220	39.4	0.9
JYB-150/25BG	ACSR/AS-150/25	1	32	11	410	130	52.2	0.8
JYB-185/30BG	ACSR/AS-185/30	1	34	18	450	130	62.9	0.9

内接续管为热镀锌钢制件, 外接续管及两端衬管为铝制件。

The inner sleeve is hot-dip galvanized steel, the outer sleeve and lining sleeves are aluminium.



(图 1) (Fig. 1)



(图 2) (Fig. 2)

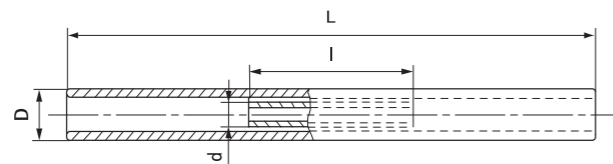
14. 接续管 (钢芯铝合金导线用)

Splicing Sleeves for AACRS Stranded Wire

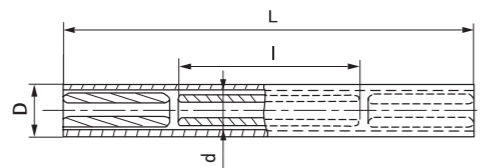
型号 Catalog No.	适用导线 Suitable Conductor	简图 Fig. No	主要尺寸 Dimensions (mm)				握力 Slip Strength (kN)	重量 Weight (kg)
			D	d	L	l		
JY-70/40H	LHBGJ-70/40	2	36	16	560	215	63.5	1.4
JY-95/55HG	LHBGJ-95/55	2	24	20	600	250	86.0	1.7
JY-120/22HG	HL4GJ-120	1	30	16	420	60	58.1	0.7
JY-120-1/22HG	HL4GJ-120(1)	1	30	16	420	60	53.3	0.7
JY-150/27HG	HL4GJ-150	1	34	18	470	70	68.0	0.9
JY-185/34HG	HL4GJ-185	1	38	20	520	80	88.0	1.3
JY-240/43HG	HL4GJ-240	1	45	22	600	90	107.0	2.1
JY-240/40HG1	LHBGJ-240/40	1	45	18	790	210	108.8	2.9
JY-300/70HGJ	HL4GJJ-300	1	50	26	720	170	160.0	3.0
JY-300HJ	HL4GJJ-300	1	50	22	840	250	160.0	3.5
JY-300HJ	LHBGJ-300	1	50	22	840	250	160.0	3.5
JY-400/35BG	LLBJ-400/35	1	48	20	750	270	99.0	2.9
JY-400/50BG	LLBJ-400/50	1	48	20	775	290	117.0	2.9
JY-300/60HG	HL4GJ-300	1	50	20	860	270	153.2	3.8
JY-400/72HG	HL4GJ-400	1	55	22	930	300	185.0	4.9
JY-720/90	AACSR-720/90	1	60	26	1040	340	210.0	5.7

内接续管为热镀锌钢制件，外接续管及两端衬管为铝制件。

The inner sleeve is hot-dip galvanized steel, the outer sleeve and lining sleeves are aluminium.



(图 1) (Fig. 1)



(图 2) (Fig. 2)

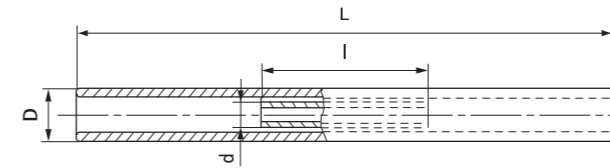
15. 接续管 (钢芯铝合金导线用, 搭接)

Splicing Sleeves for AACRS Stranded Wire (Overlap Joint)

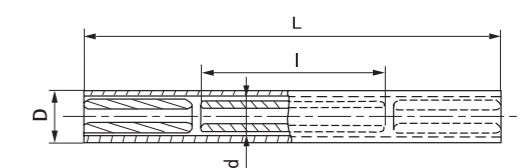
型号 Catalog No.	适用导线 Suitable Conductor	简图 Fig. No	主要尺寸 Dimensions (mm)				握力 Slip Strength (kN)	重量 Weight (kg)
			D	d	L	l		
JYD-90/43H	LHGJJ-90	2	34	22	380	100	64.8	0.8
JYD-120/20HG	HL4GJ-120	1	32	16	410	70	55.1	0.7
JYD-120/20HG1	LHAGJ-120/20	1	32	16	410	70	55.3	0.7
JYD-400/35H	LHGJ-400/35	1	55	22	675	110	158.0	3.3
JYDH-720/50H	AACSR-720/50	1	60	15	940	120	242.0	4.6

内接续管为热镀锌钢制件，外接续管及两端衬管为铝制件。

The inner sleeve is hot-dip galvanized steel, the outer sleeve and lining sleeves are aluminium.



(图 1) (Fig. 1)



(图 2) (Fig. 2)

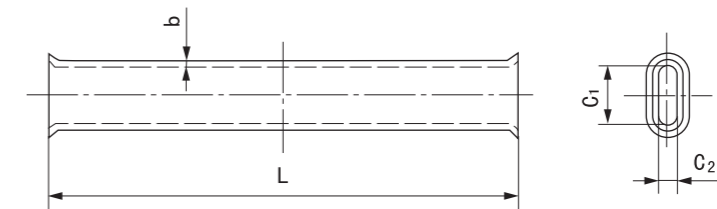
16. 接续管 (铝线用, 钳压)

Splicing Sleeves for Aluminium Conductor (Compression with Pliers)

型号 Catalog No.	适用导线 Suitable Conductor	主要尺寸 Dimensions (mm)				握力 Slip Strength (kN)	重量 Weight (kg)
		b	C1	C2	L		
JT-16L	LJ-16	1.7	12.0	6.0	110	2.7	0.02
JT-25L	LJ-25	1.7	14.4	7.2	120	4.1	0.03
JT-35L	LJ-35	1.7	17.0	8.5	140	5.5	0.04
JT-50L	LJ-95	1.7	20.0	10.0	190	7.5	0.05
JT-70L	LJ-70	1.7	23.7	11.7	210	10.0	0.07
JT-95L	LJ-95	1.7	26.8	13.4	280	14.0	0.10
JT-120L	LJ-120	2.0	30.0	15.0	300	18.0	0.15
JT-150L	LJ-150	2.0	34.0	17.0	320	22.0	0.16
JT-185L	LJ-800	2.0	38.0	19.0	340	27.0	0.20

铝制件。

Material is aluminium.

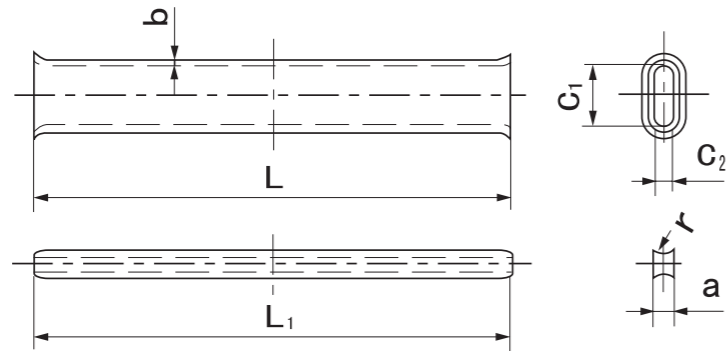


17. 接续管 (钢芯铝绞线用, 钳压)

Splicing Sleeves for ACSR Conductor (Compression with Pliers)

型号 Catalog No.	适用导线 Suitable Conductor	主要尺寸 Dimensions (mm)							握力 Slip Strength (kN)	重量 Weight (kg)
		a	b	C1	C2	r	L	L1		
JT-10/2	LGJ-10/2	4.0	1.7	11.0	5.0	-	170	180	3.9	0.1
JT-16/3	LGJ-16/3	5.0	1.7	14.0	6.0	-	210	220	5.8	0.1
JT-25/4	LGJ-25/4	6.5	1.7	16.6	7.8	-	270	280	8.8	0.1
JT-35/6	LGJ-35/6	8.0	2.1	18.6	8.8	12.0	340	350	12.0	0.2
JT-50/8	LGJ-50/8	9.5	2.3	22.0	10.5	13.0	420	430	16.0	0.3
JT-70/10	LGJ-70/10	11.5	2.6	26.0	12.5	14.0	500	510	22.0	0.4
JT-95/15	LGJ-95/15	14.0	2.6	31.0	15.0	15.0	690	700	33.0	0.6
JT-95/20	LGJ-95/20	14.0	2.6	31.5	15.2	15.0	690	700	35.0	0.6
JT-120/7	LGJ-120/7	15.0	3.1	33.0	16.0	15.0	910	920	26.0	0.6
JT-120/20	LGJ-120/20	15.5	3.1	35.0	17.0	15.0	910	920	39.0	1.0
JT-150/8	LGJ-150/8	16.0	3.1	36.0	17.5	17.5	940	950	31.0	1.1
JT-150/20	LGJ-150/20	17.0	3.1	37.0	18.0	17.5	940	950	44.0	1.1
JT-150/25	LGJ-150/25	17.5	3.1	39.0	19.0	17.5	940	950	51.0	1.2
JT-185/10	LGJ-185/10	18.0	3.4	40.0	19.5	18.5	1040	1060	39.0	1.4
JT-185/25	LGJ-185/25	19.5	3.4	43.0	21.0	18.0	1040	1060	56.0	1.5
JT-185/30	LGJ-185/30	19.5	3.4	43.0	21.0	18.0	1040	1060	61.0	1.5
JT-210/10	LGJ-210/10	20.0	3.6	43.0	21.0	19.5	1070	1090	43.0	1.6
JT-210/25	LGJ-210/25	20.0	3.6	44.0	21.5	19.5	1070	1090	63.0	1.6
JT-210/35	LGJ-210/35	20.5	3.6	45.0	22.0	19.5	1070	1090	71.0	1.7
JT-240/30	LGJ-240/30	22.0	3.9	48.0	23.5	20.0	540	550	72.0	1.0
JT-240/40	LGJ-240/40	22.0	3.9	48.0	23.5	20.0	540	550	79.0	1.0

铝制件。
Material is aluminium.

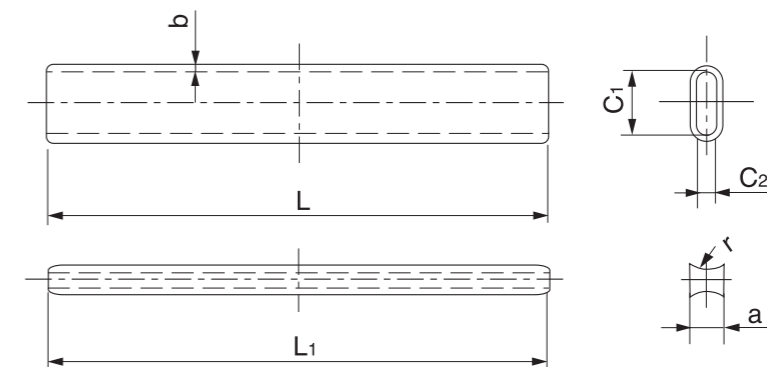


18. 接续管 (钢芯铝绞线用, 爆压)

Splicing Sleeves for ACSR Conductor (Explosive Overlap Joint)

型号 Catalog No.	适用导线 Suitable Conductor	主要尺寸 Dimensions (mm)							握力 Slip Strength (kN)	重量 Weight (kg)
		a	b	C1	C2	r	L	L1		
JTB-35/6	LGJ-35/6	8.0	2.1	18.6	8.8	12.0	170	180	12	0.1
JTB-50/8	LGJ-50/8	9.5	2.3	22.0	10.5	13.0	210	220	16	0.2
JTB-70/10	LGJ-70/10	11.5	2.6	26.0	12.5	14.0	250	260	22	0.2
JTB-95/15	LGJ-95/15	14.0	2.6	31.0	15.0	15.0	260	270	33	0.3
JTB-95/20	LGJ-95/20	14.0	2.6	31.5	15.2	15.0	260	270	35	0.3
JTB-120/7	LGJ-120/7	15.0	3.1	33.0	16.0	15.0	300	310	26	0.4
JTB-120/20	LGJ-120/20	15.5	3.1	35.0	17.0	15.0	300	310	39	0.4
JTB-150/8	LGJ-150/8	16.0	3.1	36.0	17.5	17.5	310	320	31	0.4
JTB-150/20	LGJ-150/20	17.0	3.1	37.0	18.0	17.5	310	320	44	0.4
JTB-150/25	LGJ-150/25	17.5	3.1	39.0	19.0	17.5	310	320	51	0.4
JTB-150/35	LGJ-150/35	17.5	3.4	39	19	18	330	340	62	0.4
JTB-185/10	LGJ-185/10	18.0	3.4	40.0	19.5	18.0	350	360	39	0.5
JTB-185/25	LGJ-185/25	19.5	3.4	43.0	21.0	18.0	350	360	56	0.5
JTB-185/30	LGJ-185/30	19.5	3.4	43.0	21.0	18.0	350	360	61	0.5
JTB-210/10	LGJ-210/10	20.0	3.6	43.0	21.0	19.5	360	370	43	0.6
JTB-210/25	LGJ-210/25	20.0	3.6	44.0	21.5	19.5	360	370	63	0.7
JTB-210/35	LGJ-210/35	20.5	3.6	45.0	22.0	19.5	360	370	71	0.7
JTB-240/30	LGJ-240/30	22.0	3.9	48.0	23.5	20.0	370	380	72	0.8
JTB-240/40	LGJ-240/40	22.0	3.9	48.0	23.5	20.0	460	470	79	0.9

铝制件。
Material is aluminium.

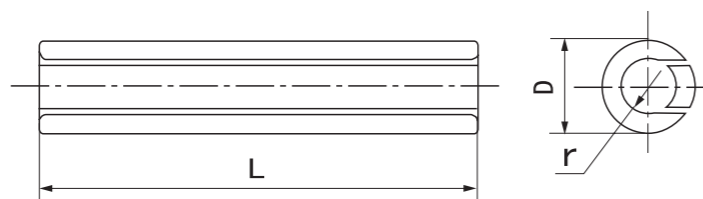


19. 补修管 (钢芯铝绞线用)

Repair Sleeves for ACSR Conductor

型号 Catalog No.	适用导线 Suitable Conductor	主要尺寸 Dimensions (mm)			重量 Weight (kg)
		D	L	r	
JX-70/40	LGJF-70/40 LGJ-70/40	26	200	7.5	0.2
JX-90/40	LGJ-90/40	30	150	8	0.3
JX-95/55	LGJ-95/55	32	150	9.0	0.3
JX-95/140	LGJ-95/140	32	200	11	0.7
JX-150/25	LGJ-150/25	30	150	9.5	0.3
JX-150/35	LGJ-150/35	30	150	9.5	0.2
JX-180.2	XLXGJ-180	38	200	9.1	0.4
JX-185	LGJ-185/25 185/30 185/45	32	170	10.5	0.2
JX-185/10	LGJ-185/10	32	170	10.0	0.2
JX-210	LGJ-210/25 210/35	34	200	11.0	0.3
JX-240	LGJ-240/30 240/40	36	220	11.5	0.4
JX-240/55	LGJ-240/55	36	220	12.0	0.4
JX-300	LGJ-300/20 300/25 300/40 300/50	40	270	13.0	0.6
JX-300/15	LGJ-300/15	40	270	12.5	0.6
JX-300/70	LGJ-300/70	40	270	13.5	0.6
JX-400	LGJ-400/20 400/25 400/35	45	320	14.5	0.8
JX-400/50	LGJ-400/50	45	320	14.5	0.9
JX-400/65	LGJ-400/65	48	320	15.0	0.9
JX-400/95	LGJ-400/95	48	320	15.5	0.9
JX-500	LGJ-500/35 500/45 500/65	52	320	16.0	1.1
JX-630	LGJ-630/45 630/55 630/80	60	370	18.0	1.7
JX-720/50	ACSR-720/50	60	370	19.0	1.7
JX-720/90	ACSR-720/90	60	400	19.5	1.8
JX-800	LGJ-800/70 800/100	65	370	20.5	1.9
JX-800/55	LGJ-800/55	65	370	20.0	1.9
JX-70BG	JLB23-70	22	190	5.8	0.2
JX-80BG	LB20J-80	24	200	6.4	0.2
JX-90BG-27	JLB2-40	26	160	6.6	0.2
JX-95/55HG1	LHBGJ-95/55	38	140	8.7	0.5
JX-120HG	HL4GJ-120	32	120	8.5	0.2
JX-120/25H	AACSR-120/25	36	140	8.5	0.2
JX-400/35H	LHGJ-400/35	55	320	14	1.6
JX-465/60H	A3/S3A-465/60	60	350	16	2.0
JX-500/230H	AACSR/EST-500	65	370	18.5	2.3
JX-400N	NAHLGJQ-400	55	320	14.5	1.5
JX-400/35N	NRLH58GJF-400/35	55	320	14	1.6
JX-400/65N	NRLH60GJ-400/65	55	300	15	1.4

铝制件。
Material is aluminium.

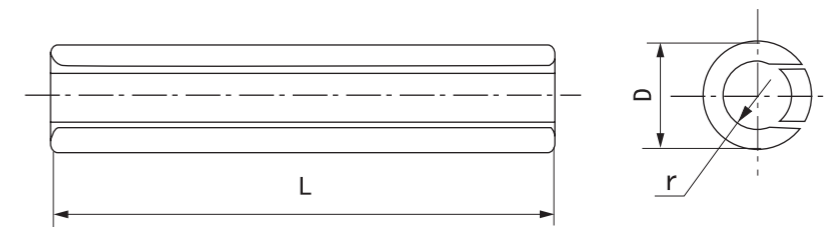


20. 补修管 (钢绞线用)

Repair Sleeves for Steel Wire

型号 Catalog No.	适用钢绞线 Suitable Steel Wire	主要尺寸 Dimensions (mm)			重量 Weight (kg)
		D	L	r	
JX-35G	GJ-35	16	120	4.2	0.2
JX-50G	GJ-50	18	120	4.8	0.2
JX-60G	GJ-60	20	120	5.7	0.3
JX-70G	GJ-70	22	140	5.8	0.3
JX-80G	GJ-80	24	140	6.2	0.4
JX-100G	GJ-100	26	160	7.0	0.5
JX-150G	GJ-150	32	200	8.4	0.9

钢制件, 热镀锌。
Hot-dip galvanized steel.

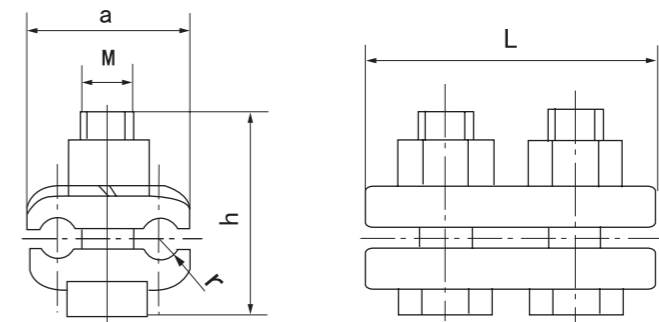


21. 并沟线夹 (钢绞线用)

Parallel groove Clamps for Steel Wire

型号 Catalog No.	适用钢绞线截面 Steel wire section area (mm ²)	螺栓个数 Bolt Qty(pc.)	主要尺寸 Dimensions (mm)					重量 Weight (kg)
			a	M	L	r	h	
JBB-1	25~35	2	44	12	90	4.5	48	0.7
JBB-2	50~70	2	50	16	90	6.0	60	1.0
JBB-3	100~120	3	56	16	124	7.0	65	1.9

线夹本体和盖板为可锻铸铁件, 全部热镀锌。
The clamp body and keepers are malleable iron, the other parts are steel, all ferrous parts are hot-dip galvanized.



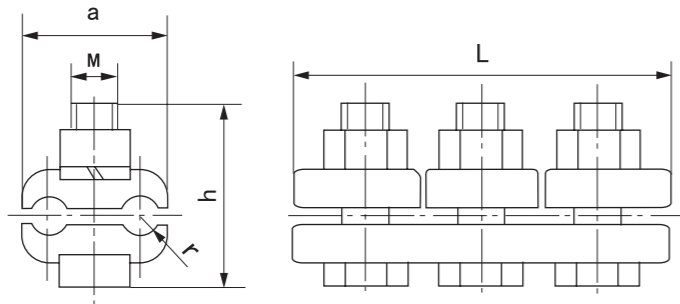
22. 并沟线夹 (铝绞线、钢芯铝绞线用)

Parallel Clamps for AAC & ACSR Conductor

型号 Catalog No.	适用导线截面 Conductor section area (mm ²)	螺栓个数 Bolt Qty(pc.)	主要尺寸 Dimensions (mm)					重量 Weight (kg)
			a	M	L	r	h	
JB-0	16~25	2	38	10	72	3.5	42	0.2
JB-1	25~50	2	46	12	80	5.0	53	0.4
JB-2	70~95	3	54	12	114	7.0	65	0.7
JB-3	120~150	3	64	16	140	8.5	70	1.1
JB-4	185~240	3	72	16	144	11.0	75	1.3
JB-5	300~400	4	100	20	215	15.5	110	5.9
JB-6	500~630	4	110	20	230	18.5	120	6.5

线夹本体和盖板为铝合金件, 其余为热镀锌钢制件。

The clamp body and keepers are aluminium alloy, the other parts are hot-dip galvanized steel.



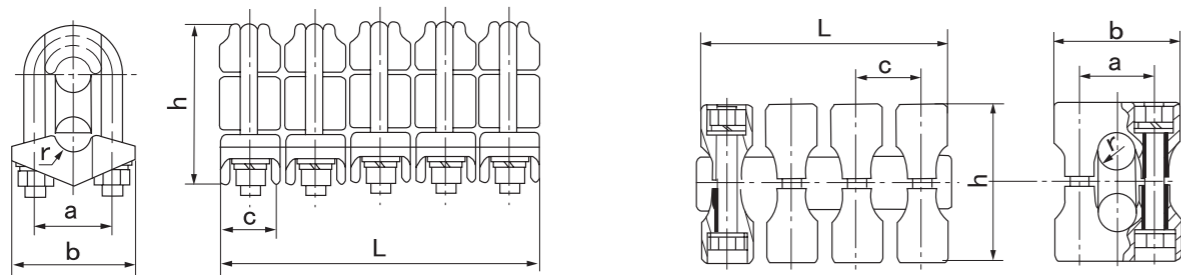
23. 并沟线夹 (耐热铝合金导线用)

Parallel Clamps for Heat-resistant Aluminium Alloy Conductor

型号 Catalog No.	适用导线 Suitable Conductor	简图 Fig. No.	主要尺寸 Dimensions (mm)						重量 Weight (kg)
			a	b	c	r	h	L	
JB-400N	NAHLGJQ-400	1	58	96	46	14.0	125	250	3.8
JB-1440N	NAHLGJQ-1440	2	92	144	76	26.0	170	280	4.3

线夹本体和盖板为铝合金件, 其余为热镀锌钢制件。

The clamp body and keepers are aluminium alloy, the other parts are hot-dip galvanized steel.



(图 1) (Fig.1)

(图 2) (Fig.2)

24. 并沟线夹 (JBG 型)

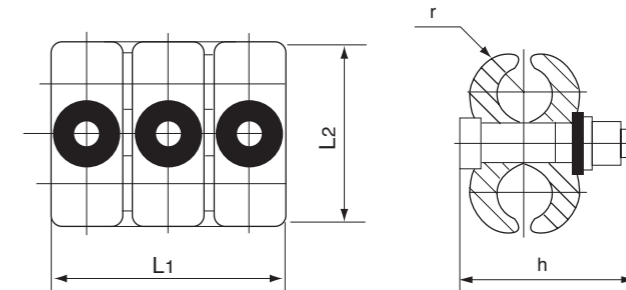
Parallel Clamps (Type JBG)

24-1

型号 Catalog No.	适用绞线直径 (含包缠物) Conductor Dia (mm)	螺栓个数 Bolt Qty(pc.)	主要尺寸 Dimensions (mm)				重量 Weight (kg)
			h	r	L1	L2	
JBG-1	4.5~11.5	1	60	6.0	36	43	0.1
JBG-2	11.5~14.0	2	58	7.0	68	52	0.4
JBG-3	14.0~17.0	2	75	8.5	72	58	0.6
JBG-4	17.0~22.0	2	75	11.0	80	72	0.8
JBG-5	22.0~28.0	3	75	14.0	115	88	1.3
JBG-6	28.0~37.0	4	90	18.5	175	108	2.6

线夹本体和盖板为铝合金件, 其余为热镀锌钢制件。

The clamp body and keepers are aluminium alloy, the other parts are hot-dip galvanized steel.



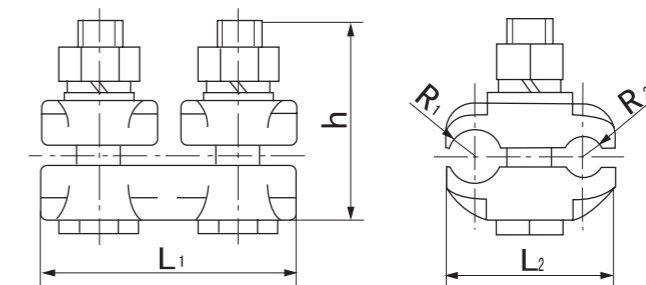
(图 24-1) (Fig.24-1)

24-2

型号 Catalog No.	适用绞线直径 (含包缠物) Conductor Dia (mm)	主要尺寸 Dimensions (mm)					重量 Weight (kg)
		H	R1	R2	L1	L2	
JBG-1-2	4.5~11.5, 11.5~14.0	45	6.0	7.0	68	45	0.40
JBG-2-3	11.5~14.0, 14.0~17.0	65	7.0	8.5	72	60	0.55
JBG-2-4	11.5~14.0, 17.0~22.0	65	7.0	11.0	80	64	0.75
JBG-3-4	14.0~17.0, 17.0~22.0	65	8.5	11.0	80	68	0.80

线夹本体和盖板为铝合金件, 其余为热镀锌钢制件。

The clamp body and keepers are aluminium alloy, the other parts are hot-dip galvanized steel.



(图 24-2) (Fig.24-2)

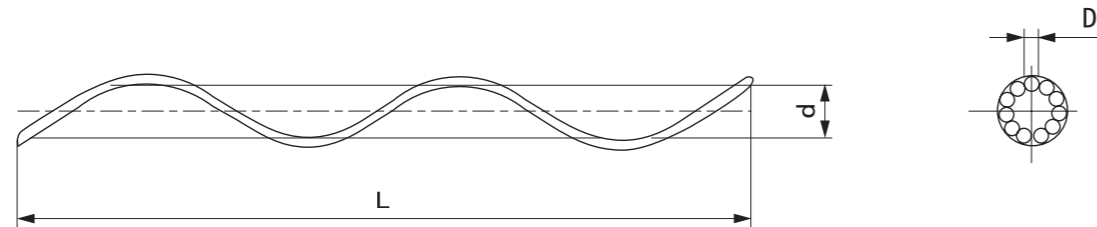
25. 预绞丝补修条

Preformed Armour Rods for Conductor Repair

型号 Catalog No.	适用导线 Suitable Conductor	主要尺寸 Dimensions (mm)			每组根数 A Group No	重量 Weight (kg)
		D	d	L		
FYB-95/15	LGJ-95/15	3.6	11.4	420	13	0.2
FYB-95/20	LGJ-95/20	3.6	11.4	420	13	0.2
FYB-95/55	LGJ-95/55	3.6	13.3	420	16	0.2
FYB-120/7	LGJ-120/7	3.6	12.0	450	14	0.2
FYB-120/20	LGJ-120/20	3.6	12.5	450	14	0.2
FYB-120/25	LGJ-120/25	3.6	13.0	450	14	0.2
FYB-150/8	LGJ-150/8	3.6	13.3	480	16	0.2
FYB-150/20	LGJ-150/20	3.6	14.7	480	16	0.3
FYB-150/25	LGJ-150/25	3.6	14.2	480	16	0.3
FYB-150/35	LGJ-150/35	3.6	14.5	480	16	0.3
YJB-35	LGJ-35	3.6	7.1	270	9	0.1
YJB-50	LGJ-50	3.6	8.2	300	10	0.1
YJB-70	LGJ-70	3.6	9.7	340	11	0.2
YJB-95	LGJ-95	3.6	11.6	420	11	0.2
YJB-120	LGJ-120	3.6	12.9	450	12	0.2
YJB-150	LGJ-150	3.6	14.2	480	13	0.2
YJB-185	LGJ-185	4.6	16.2	580	14	0.4
YJB-240	LGJ-240	4.6	18.1	640	16	0.5
YJB-300	LGJ-300	6.3	21.4	700	13	0.8
YJB-400	LGJ-400	6.3	23.5	820	14	1.1
YJB-300Q	LGJQ-300	6.3	20.2	700	13	0.8
YJB-400Q	LGJQ-400	6.3	23.3	820	14	1.1
YJB-500Q	LGJQ-500	6.3	25.6	870	16	1.2
YJB-300J	LGJJ-300	6.3	21.8	700	13	0.8
YJB-400J	LGJJ-400	6.3	24.5	825	15	1.1

铝合金制件。

The material is aluminium alloy.



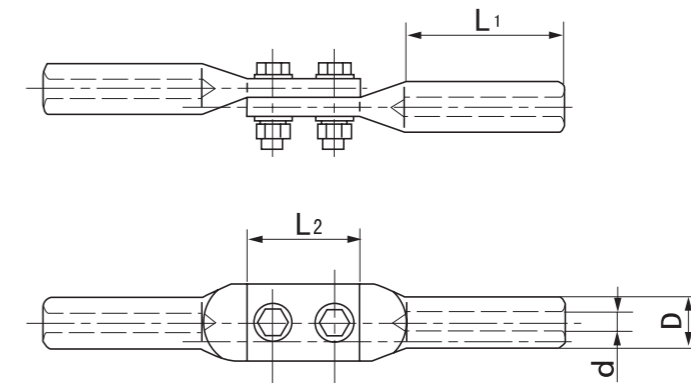
26. 跳线线夹

Jumper Connectors

型号 Catalog No.	适用导线 Suitable Conductor	主要尺寸 Dimensions (mm)				重量 Weight (kg)
		D	L1	L2	d	
JYT-35/6	LGJ-35/6	16	60	30	9.5	0.3
JYT-50/8	LGJ-50/8	18	60	30	11.0	0.3
JYT-70/10	LGJ-70/10	22	70	30	13.0	0.4
JYT-95/15	LGJ-95/15	26	80	30	15.0	0.5
JYT-95/55	LGJ-95/55	26	81	40	17.5	0.5
JYT-120/7	LGJ-120/7	28	80	40	16.0	0.6
JYT-120/20	LGJ-120/20	26	80	40	16.5	0.6
JYT-150/8	LGJ-150/8	30	90	40	17.5	0.7
JYT-150/20	LGJ-150/20	30	90	40	18.0	0.7
JYT-150/25	LGJ-150/25	30	90	40	18.5	0.7
JYT-185/10	LGJ-185/10	32	90	40	19.5	0.7
JYT-185/25	LGJ-185/25	32	90	40	20.5	0.7
JYT-185/30	LGJ-185/30	34	100	40	20.5	0.7
JYT-210/10	LGJ-210/10	34	100	40	20.5	0.8
JYT-210/25	LGJ-210/25	34	100	40	21.5	0.8
JYT-210/35	LGJ-210/35	34	100	40	22.0	0.8

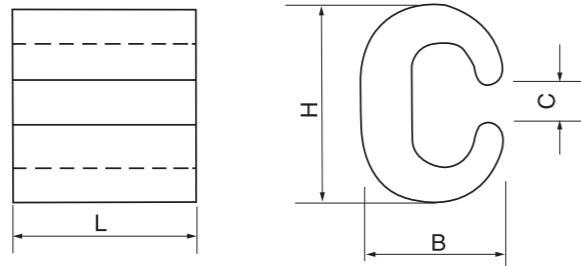
线夹本体和铝制件，其余为热镀锌钢制件。

The body is aluminium, the other parts are hot-dip galvanized steel.



27. C型铜接线夹 (压缩型)

C-Shape Copper Wire Clamp (Compression Type)



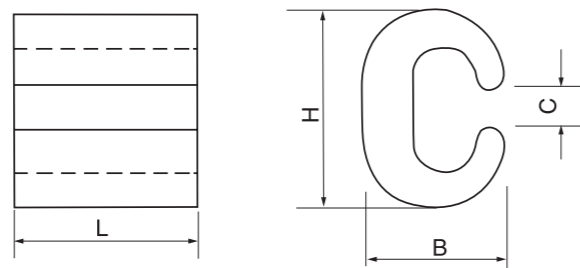
型号 Catalog No.	适用导线 Suitable Conductor		主要尺寸 Dimensions (mm)				重量 Weight (kg)
	主线 Run	支线 Tap	H	B	L	C	
JCT-1	5.03~6.35	4.65~6.35	25	15	20	10	0.06
JCT-2	5.89~8.13	5.03~8.13	29	17	22	12	0.12
JCT-3	8.15~10.52	6.35~10.52	35	19	25	14	0.14
JCT-4	10.54~13.25	8.13~13.25	40	21	30	16	0.16

材料: 铜, 适用于铜绞线的连接。

Material: copper, suitable for the connection of copper stranded wire.

28. C型铝线夹 (压缩型)

C-Shape Aluminium Wire Clamp (Compression Type)



型号 Catalog No.	适用导线 Suitable Conductor		主要尺寸 Dimensions (mm)				重量 Weight (kg)
	主线 Run	支线 Tap	H	B	L	C	
JCL-1	5.03~6.35	4.65~6.35	36	17	32	16	0.03
JCL-2	5.89~8.13	5.03~8.13	34	20	38	12	0.04
JCL-3	8.15~10.52	6.35~10.52	38	23	45	14	0.05
JCL-4	10.54~13.25	8.13~13.25	46	28	55	16	0.07
JCL-5	13.30~15.06	10.52~15.06	53	30	64	18	0.09
JCL-6	15.10~16.91	13.25~16.91	58	32	70	20	0.11
JCL-7	17.00~18.80	15.06~18.80	64	35	76	22	0.13

材料: 铝, 适用于铝绞线和钢芯铝绞线连接。

Material: Aluminium for use on AAC, ACSR conductors.

五、保护金具

PROTECTIVE FITTING

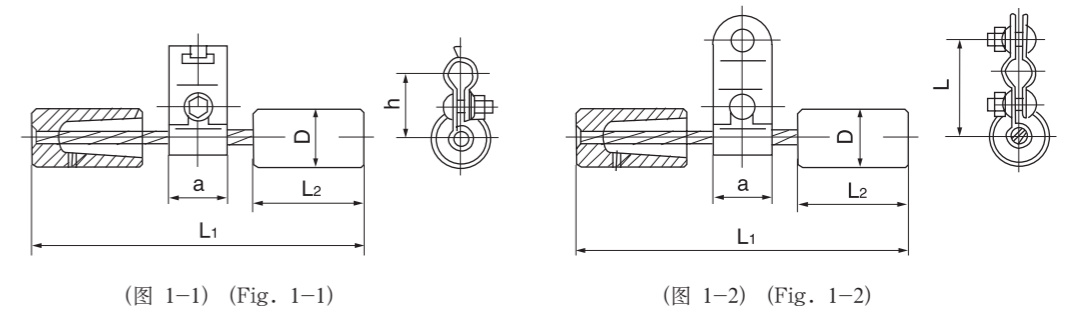
1. 防振锤 (FD、FG 型)

Dampers (Type FD、FG)

型号 Catalog No.	绞线截面 (mm ²) Conductor Section Area		简图 Fig. No.	主要尺寸 Dimensions (mm)					钢绞线规格 Messenger Wire Size	锤头重量 A Counter's Weight (kg)	重量 Weight (kg)
	钢绞线	铝绞线, 钢芯铝绞线		D	a	h	L1	L2			
FD-1	---	35~50	2	40	40	40	300	95	7/2.6	0.54	1.5
FD-2	---	70~90	1	46	45	55	370	130	7/3.0	0.94	2.4
FD-3	---	120~150	1	56	60	65	450	150	19/2.2	1.74	4.7
FD-4	---	185~240	1	62	60	70	500	175	19/2.2	2.17	5.8
FD-5	---	300~400	1	67	70	75	550	200	19/2.6	3.00	7.7
FD-6	---	500~630	1	70	70	75	550	200	19/2.6	3.60	8.9
FG-35	35	---	2	42	45	50	300	100	7/3.0	0.64	1.9
FG-50	50	---	2	46	45	50	350	130	7/3.0	0.94	2.5
FG-70	70	---	1	56	50	60	400	150	19/2.2	1.74	4.4
FG-100	100	---	1	62	60	65	500	175	19/2.2	2.40	5.9

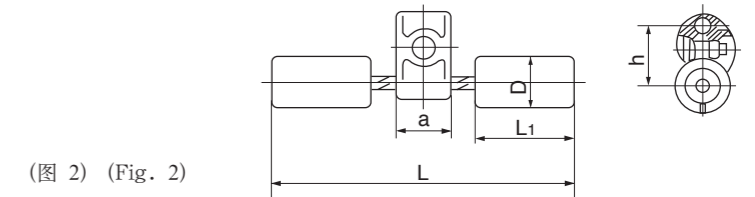
锤头为灰铸铁件, 涂漆, 其余为热镀锌钢制件。(图 1-1) (图 1-2)

Counter weights are grey iron, painted. The other parts are hot-dip galvanized steel. The counter weights of the catalog No. with "1" are riveted.(Fig. 1-1) (Fig. 1-2)



(图 1-1) (Fig. 1-1)

(图 1-2) (Fig. 1-2)



(图 2) (Fig. 2)

2. 防振锤 (FF 型)

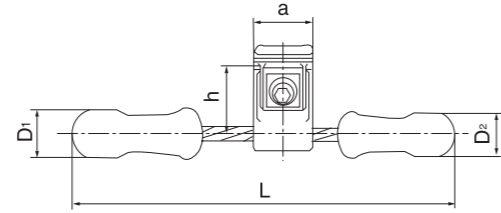
Dampers (Type FF)

型号 Catalog No.	适用绞线直径 (含包缠物) Conductor Dia.(mm)	主要尺寸 Dimensions (mm)					重量 Weight (kg)
		L	L1	D	h	a	
FF-4	18.0~22.0	500	175	62	80	50	5.0
FF-5	23.0~28.0	550	200	67	70	70	7.4

线夹为铝合金件, 锤头为灰铸铁件, 涂漆, 其余为热镀锌钢制件。(图 2)

The clamp is aluminium alloy, counter weights are grey iron, painted. The other parts are hot-dip galvanized steel. (Fig. 2)

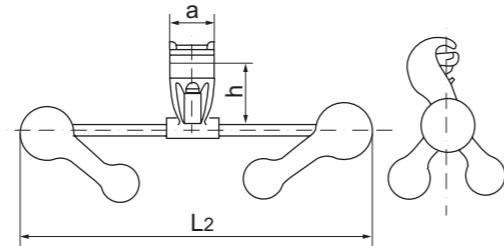
3. 防振锤 (FR 型)
Dampers (Type FR)



型号 Catalog No.	适用绞线直径 (含包缠物) Conductor Dia.(mm)	主要尺寸 Dimensions (mm)					重量 Weight (kg)
		L	D1	D2	h	a	
FR-1	7.0~12.0	429	48	48	81	50	2.8
FR-2	18.0~22.0	429	48	48	81	50	2.8
FR-3	18.0~28.0	505	57	57	91	60	5.0
FR-4	23.0~36.0	550	64	64	97	60	7.6
FR-2A	11.0~12.0	429	48	48	81	50	2.8
FR-2B	12.0~15.0	429	48	48	81	50	2.8
FR-2C	15.0~18.0	429	48	48	81	50	2.8
FR-3A	34.0~36.0	505	57	57	96	60	5.0
FR-4A	38.0~40.0	550	64	64	102	60	7.6
FR-4/32	29.0~32.0	505	65	65	96	60	7.6
FR-4/39	33.0~39.0	550	64	64	127	60	7.9

线夹为铝合金件, 锤头为灰铸铁件, 其余为热镀锌钢制件。(图 3)
The clamp is aluminium alloy, counter weights are grey iron, The other parts are hot-dip galvanized steel. (Fig. 3)

4. 防振锤 (FDB 型)
Stockbridge Vibration Damper (type FDB)



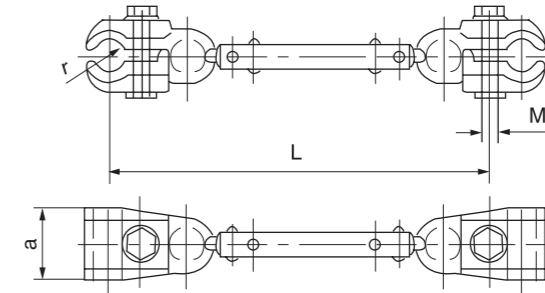
型号 Catalog No.	适用绞线直径 (包含缠物) Conductor Dia (mm)	主要尺寸 Dimensions (mm)					锤头重量 A Counter's Weight (kg)	防振锤重量 Weight (kg)
		L	D1	D2	h	a		
FDB0507SS	6.35~9.40	352	48	48	60	50	0.5	1.34
FDB0509SS	9.50~12.40	352	48	48	60	50	0.5	1.40
FDB0512SS	18.50~15.20	352	48	48	1	50	0.5	1.47
FDB1012SS	12.5~15.2	402	58	58	7	50	1.0	2.47
FDB1015SS	15.3~18.0	402	58	58	1	50	1.0	2.55
FDB1018SS	18.1~21.8	402	58	58	81	50	1.0	2.66
FDB2018SS	18.1~21.8	470	75	75	81	55	2.0	4.97
FDB2021SS	21.9~24.1	470	75	75	92	55	2.0	5.06
FDB2024SS	24.2~27.4	470	75	75	92	55	2.0	5.10
FDB2027SS	27.5~30.7	470	75	75	99	60	2.0	5.16
FDB2030SS	30.8~33.7	470	75	75	99	60	2.0	5.31
FDB3030SS	30.8~33.7	616	86	99	99	60	3.0	7.31
FDB3034SS	33.8~37.7	616	86	86	120	60	3.0	7.40
FDB4034SS	33.8~37.7	706	95	95	120	60	4.0	9.40
FDB4038SS	37.8~43.1	706	95	95	120	60	4.0	9.59
FDB4042SS	43.2~48.1	706	95	95	135	60	4.0	9.75
FDB5042SS	43.2~48.1	746	100	100	135	60	5.0	11.75
FDB5048SS	48.2~54.0	746	100	100	135	60	5.0	11.95

线夹为铝合金件, 锤头为铸铝合金, 紧固件为不锈钢。
The clamp is aluminium alloy, counter weight are grey iron, tightener are stainless steel.

5. 双分裂间隔棒 (FJQ 型)
Spacers (Type FJQ)

型号 Catalog No.	适用导线 Suitable Conductor	主要尺寸 Dimensions (mm)				重量 Weight (kg)
		a	M	r	L	
FJQ-204	LGJ185~240	60	12	11.0	200	0.9
FJQ-205	LGJ300~400	60	12	14.5	200	1.1
FJQ-206	LGJ500~630	60	12	17.5	200	1.9
FJQ-404	LGJ185~240	60	12	11.0	400	1.0
FJQ-405	LGJ300~400	60	12	14.5	400	1.2
FJQ-406	LGJ500~630	60	12	17.5	400	2.0
FJQ-455	LGJ300~400	70	16	15.4	450	2.5

本体和压板为铝合金件其余为热镀锌钢制件。
The body and keepers are aluminium alloy, the other parts are hot-dip galvanized steel.

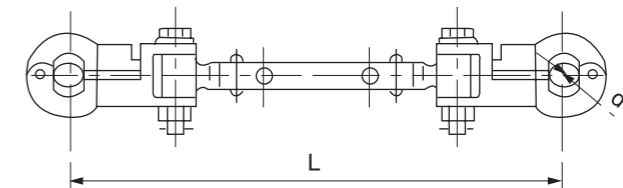


6. 双分裂间隔棒 (FJZ 型双导线用)
Spacer Damper (Type FJZ for Double Conductors)

6-1

型号 Catalog No.	适用导线 Suitable Conductor	主要尺寸 Dimensions (mm)		重量 Weight (kg)
		L	d	
FJZ-240/300	LGJ-300/20~50	400	19.4	3.1
FJZ-240/300A	LGJ-300/70	400	21.2	3.1
FJZ-240/400A	LGJ-400/20~35	400	22.8	3.1
FJZ-240/500	LGJ-500/45	400	26.6	4.0
FJZ-240/630	LGJ-630/45	400	33.0	5.4
FJZ-250/500	LGJ-500/45	500	26.6	4.5
FJZ-250/630	LGJ-630/45	500	33.0	6.2

本体和压板为铝合金件, 橡胶垫为并用胶, 其余为热镀锌钢制件。
The body and keepers are aluminium alloy, dampers are elastomer, the other parts are hot-dip galvanized steel.



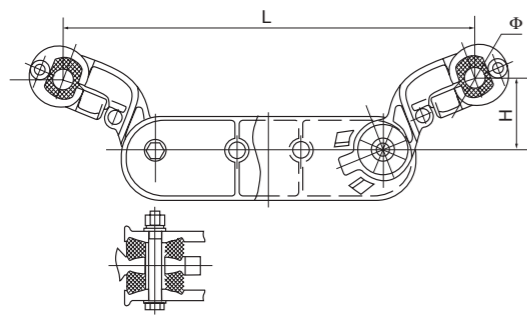
7. 双分裂阻尼间隔棒 (FZJ2 型)

Spacer Damper (type FZJ2)

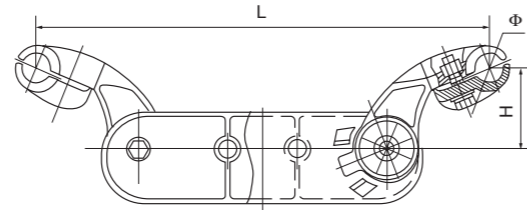
型号 Catalog No.	适用导线截面 (mm)	主要尺寸 Dimensions (mm)			图示 Fig. No	重量 Weight (kg)
		L	H	Φ		
FJZ2-457403	300-500	457	79	23.01-30.96	1	3.4
FJZ2-457410	400-410	457	80	29.0	2	2.8

线夹本体、压盖、框板为铝合金件，阻尼件为合成橡胶件，其余为热镀锌钢制件。

The body, keeper and bracket are made of aluminium alloy, The damper are made of elastomer (DEMP), other parts are made of hot-dip galvanized steel.



(图 1) (Fig.1)



(图 2) (Fig.2)

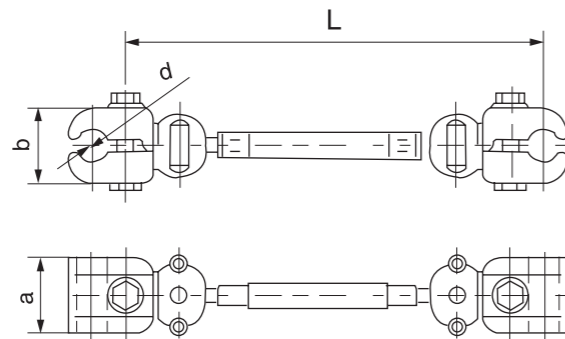
8. 间隔棒 (FFJQ 型)

Spacers (Type FFJQ)

型号 Catalog No.	适用导线 Suitable Conductor	主要尺寸 Dimensions (mm)				重量 Weight (kg)
		a	b	L	d	
FFJQ-404	LGJ-240/30~55	62	60	400	22	2.0
FFJQ-405	LGJ-300/40~70	62	60	400	27	2.0
FFJQ-455	LGJ-400/20~50	68	62	450	27	2.1
FFJQ-455.1	LGJ-400/65~95	68	62	450	29	2.1

本体和压板为铝合金件，橡胶垫为并用胶，其余为热镀锌钢制件。

The body and keepers are aluminium alloy, dampers are elastomer, the other parts are hot-dip galvanized steel.



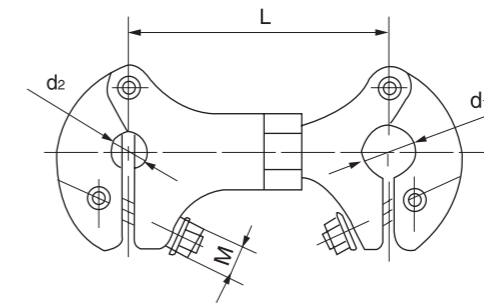
9. 间隔棒 (500kV 跳线用)

Spacers for 500kV Line Jumper Conductor

型号 Catalog No.	适用导线 Suitable Conductor	主要尺寸 Dimensions (mm)				重量 Weight (Kg)
		d1	d2	M	L	
TJ2-12240	LGJ-240/30	22	18	10	120~145	0.9
TJ2-12300	LGJ-300/25~40	26	18	10	120~145	0.9
TJ2-12400	LGJ-400/20~35	28	22	10	120~145	0.9
TJ2-12500	LGJ-500/45	31	23	10	120~140	1.2
TJ2-12630	LGJ-630/45	34	26	10	120~135	1.1
TJ2-12720	LGJ-720/50	38	26	10	120~145	1.1
TJ2-12400/18	LGJ-400/20~35	28	18	10	120~145	0.9
TJ2-12630/19	LGJ-630/45	34	19	10	120~135	1.1
TJ2-12630/23	LGJ-630/45	34	23	10	120~135	1.1
TJ2-12630/30	LGJ-630/45	34	31	10	120~135	1.2
TJ2-12720/19	LGJ-720/50	38	19	10	120~135	1.1

本体和压板为铝合金件，橡胶垫为并用胶，其余为热镀锌钢制件。

The body and keepers are aluminium alloy, dampers are elastomer, the other parts are hot-dip galvanized steel.



10. 间隔棒 (三分裂导线用)

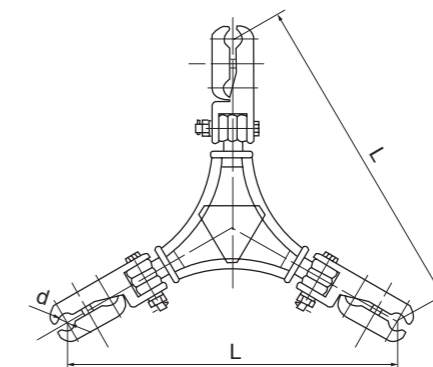
Spacer Damper for Three-Bundle Conductor

10-1

型号 Catalog No.	适用导线 Suitable Conductor	主要尺寸 Dimensions (mm)		重量 Weight (kg)
		L	d	
JX3-300	LGJQ-300	450	26	5.6
JX3-400	LGJQ-400	450	29	5.6

线夹为铝合金件，阻尼垫为合成橡胶，其余为热镀锌钢制件。

The clamps are aluminium alloy. Dampers are elastomer. The other parts are hot-dip galvanized steel.



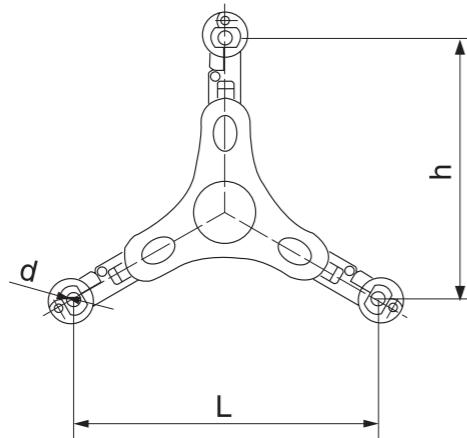
(图 10-1) (Fig.10-1)

10-2

型号 Catalog No.	适用导线 Suitable Conductor	主要尺寸 Dimensions (mm)			重量 Weight (kg)
		d	h	L	
FJZ-380/440	HL4GJT-440	33.0	640	800	11.6

线夹为铝合金件，阻尼垫为合成橡胶，其余为热镀锌钢制件。

The clamps are aluminium alloy. Dampers are elastomer. The other parts are hot-dip galvanized steel.



(图10-2) (Fig.10-2)

11. 间隔棒 (500kV 跳线用)

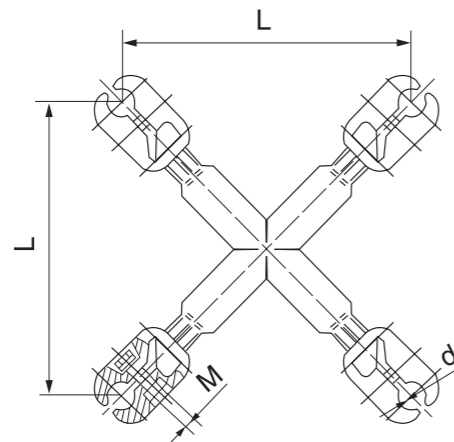
Spacers for Jumper Conductor (For 500kV Lines)

11-1

型号 Catalog No.	适用导线外径 Suitable Conductor Dia. (mm)	主要尺寸 Dimensions (mm)			重量 Weight (kg)
		L	M	d	
FJY4-20	23~28	200	12	27	2.7
FJY4-45	23~28	450	12	27	3.1
FJY4-45/500	30~34	450	12	34	3.1
FJY4-26	23~28	260	16	27	4.5

线夹本体为铝合金件，其余为热镀锌钢制件。

The clamp body is aluminium alloy, the other parts are hot-dip galvanized steel.



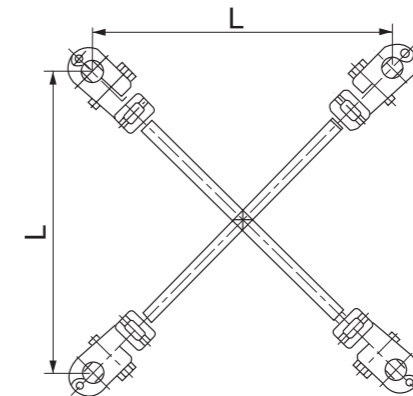
(图11-1) (Fig.11-1)

11-2 阻尼型

型号 Catalog No.	适用导线 Suitable Conductor	主要尺寸 Dimensions (mm)		重量 Weight (kg)
		L	M	
FJQ4-45300	LGJ-300/25~40	450	16	4.7
FJQ4-45400	LGJ-400/20~35	450	16	4.7
FJQ4-45500	LGJ-500/45	450	16	4.7
FJQ4-45/630	LGJ-630/45	450	16	6.1
FJQ4-50/630	LGJ-630/45	500	16	6.2
FJQ4-50/720	LGJ-720/50	500	16	6.2

线夹为铝合金件，阻尼垫为合成橡胶，其余为热镀锌钢制件。

The clamps are aluminium alloy. Dampers are elastomer. The other parts are hot-dip galvanized steel.



(图11-2) (Fig.11-2)

12. 十字型阻尼间隔棒 (500kV 线路用)

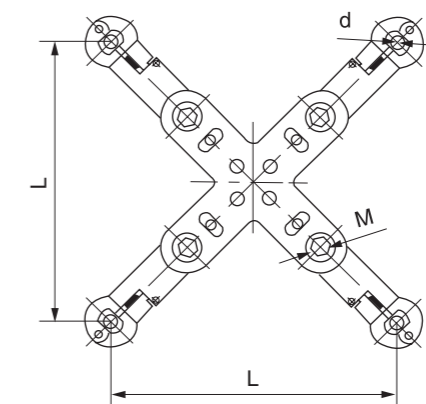
Cross Type Spacer Damper (For 500kV Lines)

12-1 铁框板

型号 Catalog No.	适用导线 Suitable Conductor	主要尺寸 Dimensions (mm)			重量 Weight (kg)
		L	M	D	
FJZ-300	LGJQ-300/20~50	450	12	19.4	8.7
FJZ-400A	LGJ-400/20~35	450	12	22.8	8.7
FJZ-400	LGJ-400/50~65	450	12	24	8.7

线夹为铝合金件，阻尼垫为合成橡胶，其余为热镀锌钢制件。

The clamps are aluminium alloy. Dampers are elastomer. The other parts are hot-dip galvanized steel.



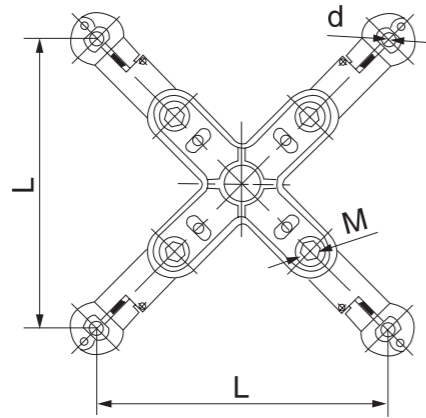
(图12-1) (Fig.12-1)

12-2 铝框板

型号 Catalog No.	适用导线 Suitable Conductor	主要尺寸 Dimensions (mm)			重量 Weight (kg)
		L	M	d	
FJZL-300	LGJ-300/20~50	450	12	19.4	8.5
FJZL-400A	LGJ-400/20~35	450	12	22.8	8.5
FJZL-400	LGJ-400/50~65	450	12	24.0	8.5
FJZL-500	LGJ-500/35	450	12	26.0	8.5

线夹、盖板和框架为铝合金件，阻尼垫为合成橡胶，其余为热镀锌钢制件。

Preformed armor rods, clamps and bracket are aluminium alloy. Dampers are elastomer. The other parts are hot-dip galvanized steel.



(图12-2) (Fig.12-2)

13. 方框型阻尼间隔棒 (500kV 线路用)

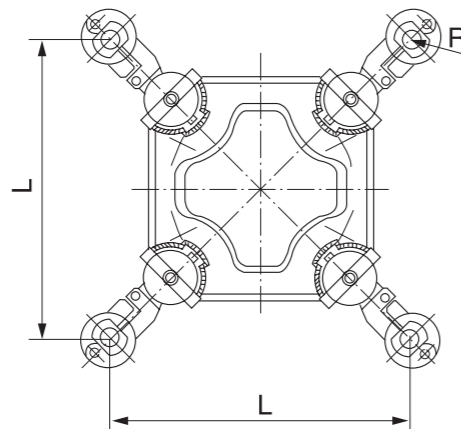
Square Frame Type Spacer Damper (For 500kV Lines)

13-1 单框板型

型号 Catalog No.	适用导线 Suitable Conductor	主要尺寸 Dimensions (mm)		重量 Weight (kg)
		L	R	
FJZ-445F/300	LGJ-300/20~50	450	9.7	8.4
FJZ-445F/400	LGJ-400/50~65	450	12.0	8.4
FJZ-445F/400A	LGJ-400/20~35	450	11.4	8.4
FJZ-445F/500	LGJ-500/45	450	13.3	8.4

线夹、盖板和框架为铝合金件，阻尼垫为合成橡胶，其余为热镀锌钢制件。

Preformed armor rods, clamps and bracket are aluminium alloy. Dampers are elastomer. The other parts are hot-dip galvanized steel.



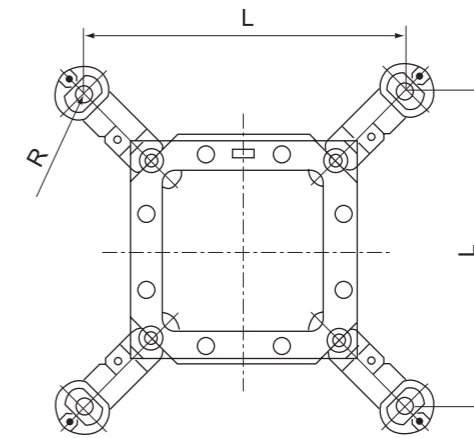
(图13-1) (Fig.13-1)

13-2 双框板型

型号 Catalog No.	适用导线 Suitable Conductor	主要尺寸 Dimensions (mm)		重量 Weight (kg)
		L	R	
FJZ-445F/630	LGJ-630/45	450	16.5	10.1
FJZ-450F/500	LGJ-500/45	500	15.2	10.6
FJZ-450F/630	LGJ-630/45	500	16.5	10.6
FJZ-450F/720	LGJ-720/50	500	17.8	10.4

线夹、盖板和框架为铝合金件，阻尼垫为合成橡胶，其余为热镀锌钢制件。

Preformed armor rods, clamps and bracket are aluminium alloy. Dampers are elastomer. The other parts are hot-dip galvanized steel.



(图13-2) (Fig.13-2)

14. 矩形阻尼间隔棒 (500kV 线路用)

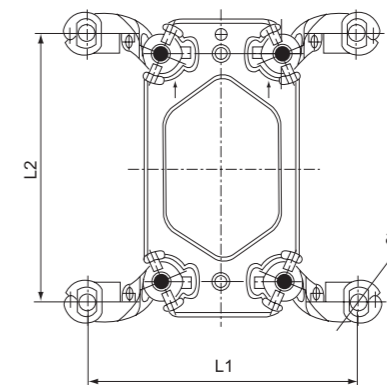
Rectangular Frame Type Spacer Damper (For 500kV Lines)

14-1 单框板

型号 Catalog No.	适用导线 Suitable Conductor	主要尺寸 Dimensions (mm)			重量 Weight (kg)
		L1	L2	d	
FJZ-445J/300	LGJ-300/20~50	450	450	19.4	7.4
FJZ-445J/400A	LGJ-400/20~35	450	450	22.8	7.4
FJZ-445J/400	LGJ-400/50~65	450	450	24.0	7.4
FJZ-450J/720/90	ACSR-720/90	500	500	35.6	11.1
FJZ-450J/720H	ACSR-720/50	500	500	35.6	11.0

线夹、盖板和框架为铝合金件，阻尼垫为合成橡胶，其余为热镀锌钢制件。

Preformed armor rods, clamps and bracket are aluminium alloy. Dampers are elastomer. The other parts are hot-dip galvanized steel.



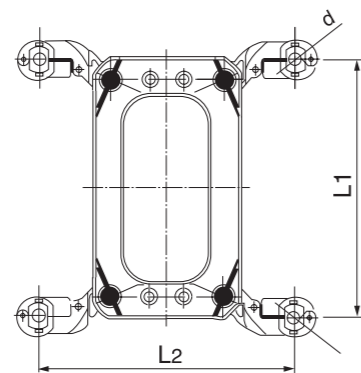
(图14-1) (Fig.14-1)

14-2 双框板

型号 Catalog No.	适用导线 Suitable Conductor	主要尺寸 Dimensions (mm)			重量 Weight (kg)
		L1	L2	d	
FJZ-445JS/300	LGJ-300/20~50	450	450	19.4	7.7
FJZ-445JS/400A	LGJ-400/20~35	450	450	22.8	7.7
FJZ-445JS/400	LGJ-400/50~65	450	450	24.0	7.7

线夹、盖板和框架为铝合金件，阻尼垫为合成橡胶，其余为热镀锌钢制件。

Preformed armor rods, clamps and bracket are aluminium alloy. Dampers are elastomer. The other parts are hot-dip galvanized steel.



(图14-2) (Fig.14-2)

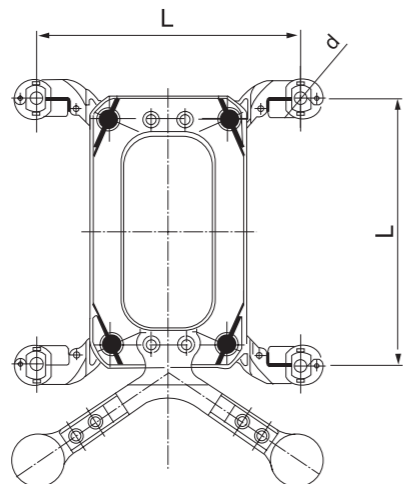
15. 防舞间隔棒 (500kV 线路用)

Spacer Damper for Preventing Vibration (For 500kV Lines)

型号 Catalog No.	适用导线 Suitable Conductor	主要尺寸 Dimensions (mm)		重量 Weight (kg)
		L	d	
FJZW-445J/300	LGJ-300/40	450	19.4	-
FJZW-445J/400A	LGJ-400/35	450	22.8	-
FJZW-445J/500	LGJ-500/45	450	26.6	-
FJZW-445J/500Y	LGJ-500/45 加护线条	450	43.2	-

线夹、盖板和框架为铝合金件，阻尼垫为合成橡胶，其余为热镀锌钢制件。

Preformed armor rods, clamps and bracket are aluminium alloy. Dampers are elastomer. The other parts are hot-dip galvanized steel.



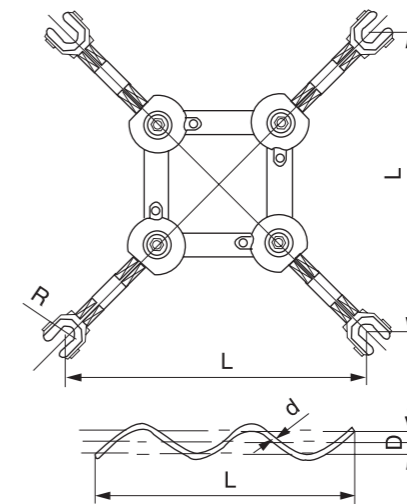
16. 预绞丝阻尼间隔棒 (500kV 线路用)

Amoy-grip Spacer Damper (For 500kV Lines)

型号 Catalog No.	适用导线 Suitable Conductor	主要尺寸 Dimensions (mm)					重量 Weight (kg)
		L	l	R	D	d	
FJS-45/300	LGJQ-300	450	1250	14.5	19	6.3	8.0
FJS-45/400	LGJQ-400	450	1250	14.5	22	6.3	8.0

预绞丝、线夹和框架为铝合金件，阻尼垫为合成橡胶，其余为热镀锌钢制件。

Preformed armor rods, clamps and bracket are aluminium alloy. Dampers are elastomer. The other parts are hot-dip galvanized steel.



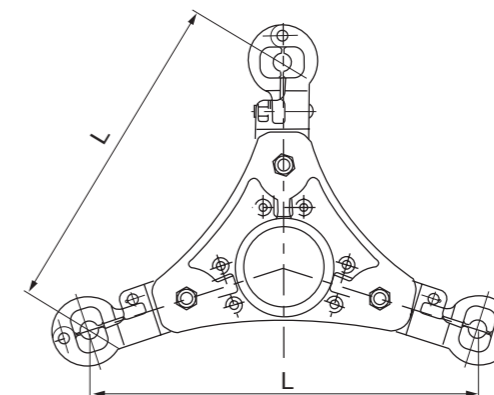
17. 三分裂阻尼间隔棒 (330kV 紧凑型线路用)

Spacer Damper for Three-bundle Conductor (For 330kV Compact Lines)

型号 Catalog No.	适用导线 Suitable Conductor	主要尺寸 Dimensions (mm)	重量 Weight (kg)
		L	
FJZ-335/185	LGJ-185/25、30、45	350	3.6
FJZ-335/210	LGJ-210/25、35、50	350	3.6
FJZ-335/240	LGJ-240/30、40、55	350	3.6

线夹、盖板和框架为铝合金件，阻尼垫为合成橡胶，其余为热镀锌钢制件。

Preformed armor rods, clamps and bracket are aluminium alloy. Dampers are elastomer. The other parts are hot-dip galvanized steel.



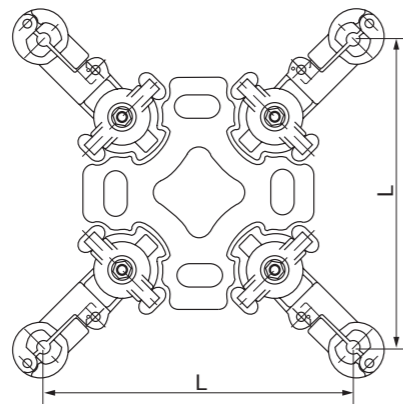
18. 四分裂阻尼间隔棒 (330kV 紧凑型线路用)

Spacers Damper for Four-bundle Conductor (For 330kV Compact Lines)

型号 Catalog No.	适用导线 Suitable Conductor	主要尺寸 Dimensions (mm)		重量 Weight (kg)
		L		
FJZ-435/150	LGJ-150/20、25、35	350		5.0
FJZ-435/185	LGJ-185/25、30、45	350		5.0
FJZ-435/210	LGJ-210/25、35、50	350		5.0
FJZ-435/240	LGJ-240/30、40、55	350		5.0

线夹、盖板和框架为铝合金件，阻尼垫为合成橡胶，其余为热镀锌钢制件。

Preformed armor rods, clamps and bracket are aluminium alloy. Dampers are elastomer. The other parts are hot-dip galvanized steel.



19. 六分裂间隔棒 (500kV 紧凑型线路用)

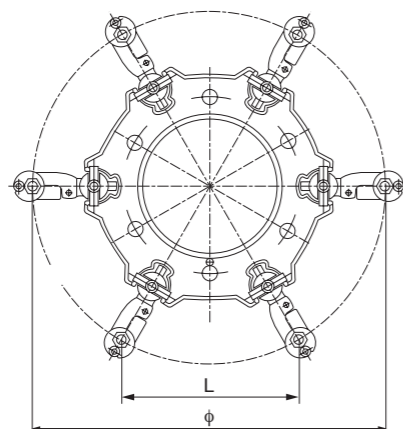
Spacers Damper for Six-bundle Conductor (For 500kV Compact Lines)

19-1

型号 Catalog No.	适用导线 Suitable Conductor	主要尺寸 Dimensions (mm)		重量 Weight (kg)
		φ	L	
FJZ6-375/240	LGJ-240/30	750	375	11.6
FJZ6-375/300	LGJ-300/40	750	375	11.6

线夹、盖板和框架为铝合金件，阻尼垫为合成橡胶，其余为热镀锌钢制件。

Preformed armor rods, clamps and bracket are aluminium alloy. Dampers are elastomer. The other parts are hot-dip galvanized steel.



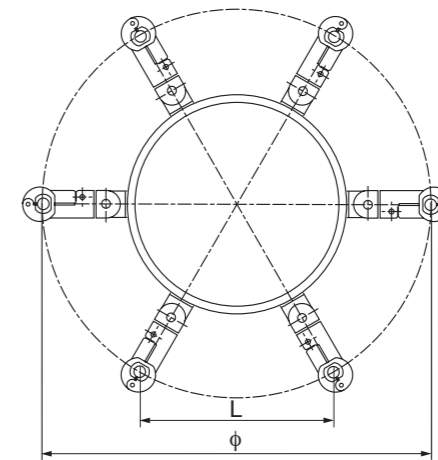
(图19-1) (Fig.19-1)

19-2

型号 Catalog No.	适用导线 Suitable Conductor	主要尺寸 Dimensions (mm)		重量 Weight (kg)
		φ	L	
FJT6-375/240	LGJ-240/30	750	375	11.6
FJT6-375/300	LGJ-300/40	750	375	11.6

线夹为铝合金件，其余为热镀锌钢制件。

The clamps are aluminium alloy. The other parts are hot-dip galvanized steel.



(图19-2) (Fig.19-2)

20. 六分裂间隔棒 (750kV 线路用)

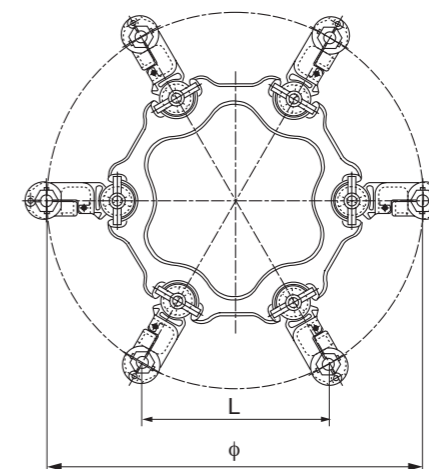
Spacer Damper for Six-bundle Conductor (For 750kV Lines)

20-1

型号 Catalog No.	适用导线 Suitable Conductor	主要尺寸 Dimensions (mm)		重量 Weight (kg)
		φ	L	
FJZ-640/400	LGJ-400/50	800	400	13.1

线夹、盖板和框架为铝合金件，阻尼垫为合成橡胶，其余为热镀锌钢制件。

Preformed armor rods, clamps and bracket are aluminium alloy. Dampers are elastomer. The other parts are hot-dip galvanized steel.



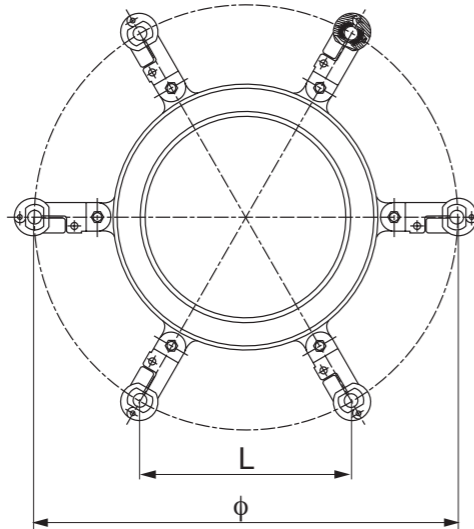
(图20-1) (Fig.20-1)

20-2

型号 Catalog No.	适用导线 Suitable Conductor	主要尺寸 Dimensions (mm)		重量 Weight (kg)
		ϕ	L	
JTZ-640/400	LGJ-400/50	800	400	8.9

线夹、盖板和框架为铝合金件，阻尼垫为合成橡胶，其余为热镀锌钢制件。

Preformed armor rods, clamps and bracket are aluminium alloy. Dampers are elastomer. The other parts are hot-dip galvanized steel.



(图20-2) (Fig.20-2)

21. 预绞丝护线条

Preformed armour rods

型号 Catalog No.	适用导线 Suitable Conductor	主要尺寸 Dimensions (mm)			每组根数 A Group No.	重量 Weight (kg)
		D	d	L		
FYH-95/15	LGJ-95/15	3.6	11.4	1400	13	0.5
FYH-95/20	LGJ-95/20	3.6	11.4	1400	13	0.5
FYH-95/55	LGJ-95/55	3.6	13.3	1500	16	0.6
FYH-120/7	LGJ-120/7	3.6	12.0	1400	14	0.6
FYH-120/20	LGJ-120/20	3.6	12.5	1400	14	0.6
FYH-120/25	LGJ-120/25	3.6	13.0	1400	14	0.6
FYH-120/70	LGJ-120/70	4.6	14.9	1800	14	0.8
FYH-150/8	LGJ-150/8	3.6	13.3	1500	16	0.6
FYH-150/20	LGJ-150/20	3.6	14.7	1500	16	0.7
FYH-150/25	LGJ-150/25	3.6	14.2	1500	16	0.7
FYH-150/35	LGJ-150/35	3.6	14.5	1500	16	0.7
FYH-185/10	LGJ-185/10	4.6	14.9	1800	14	1.2
FYH-185/25	LGJ-185/25	4.6	15.7	1800	14	1.3
FYH-185/30	LGJ-185/30	4.6	15.7	1800	14	1.3
FYH-185/45	LGJ-185/45	4.6	16.3	1800	14	1.3
FYH-210/10	LGJ-210/10	4.6	15.9	1800	14	1.3
FYH-210/25	LGJ-210/25	4.6	16.6	1800	14	1.3

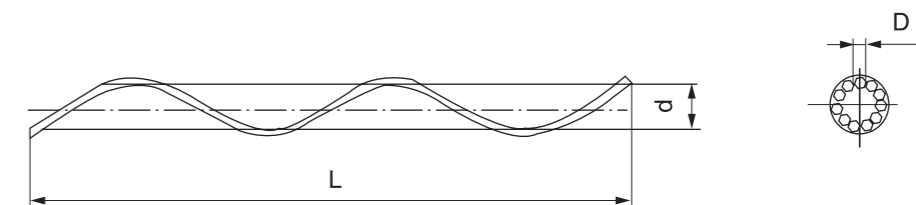
续表见下页

续表接上页

型号 Catalog No.	适用导线 Suitable Conductor	主要尺寸 Dimensions (mm)			每组根数 A Group No.	重量 Weight (kg)
		D	d	L		
FYH-210/35	LGJ-210/35	4.6	16.9	1800	14	1.3
FYH-210/50	LGJ-210/50	4.6	17.3	1800	14	1.3
FYH-240/30	LGJ-240/30	4.6	17.9	1900	16	1.4
FYH-240/40	LGJ-240/40	4.6	17.9	1900	16	1.4
FYH-240/55	LGJ-240/55	4.6	18.6	1900	16	1.4
FYH-300/15	LGJ-300/15	6.3	19.1	2000	13	2.3
FYH-300/20	LGJ-300/20	6.3	19.4	2000	13	2.3
FYH-300/25	LGJ-300/25	6.3	19.7	2000	13	2.3
FYH-300/40	LGJ-300/40	6.3	19.9	2000	13	2.3
FYH-300/50	LGJ-300/50	6.3	20.1	2000	13	2.3
FYH-300/70	LGJ-300/70	6.3	20.9	2000	13	2.3
FYH-400/20	LGJ-400/20	6.3	22.3	2200	14	2.8
FYH-400/25	LGJ-400/25	6.3	22.1	2200	14	2.8
FYH-400/35	LGJ-400/35	6.3	22.3	2200	14	2.8
FYH-400/50	LGJ-400/50	6.3	23.0	2200	14	2.8
FYH-400/65	LGJ-400/65	6.3	23.2	2200	14	2.8
FYH-400/95	LGJ-400/95	6.3	24.8	2500	14	2.8
FYH-500/35	LGJ-500/35	6.3	24.9	2500	16	3.5
FYH-500/45	LGJ-500/45	6.3	24.9	2500	16	3.5
FYH-500/65	LGJ-500/65	6.3	25.7	2500	16	3.5
FYH-630/45	LGJ-630/45	7.8	27.9	2500	15	5.3
FYH-630/55	LGJ-630/55	7.8	28.5	2500	15	5.3
FYH-630/80	LGJ-630/80	7.8	28.9	2500	15	5.3
FYH-720/50	LGJ-720/50	7.8	30	3000	15	6.4
FYH-800/55	LGJ-800/55	7.8	31.8	2500	17	6.0
FYH-800/70	LGJ-800/70	7.8	32.1	2500	17	6.0
FYH-800/100	LGJ-800/100	7.8	32.3	2500	17	6.0
FYH-50BG	LBGJ-50-23AC	3.6	7.7	1000	9	1.0
FYH-80BG	JLB1A-80	3.6	9.6	1400	12	1.6
FYH-100BG	LBGJ-100-20AC	3.6	11.0	1400	12	1.9
FYH-120BG	JLB1A-120	3.6	12.0	1400	14	1.7
FYH-150BG	LBGJ-1800-40AC	3.6	13.2	1500	15	2.0
FYH-185BG	LBGJ-185-20AC	3.6	14.5	1500	16	2.1

铝合金制件。

Material is aluminium alloy.

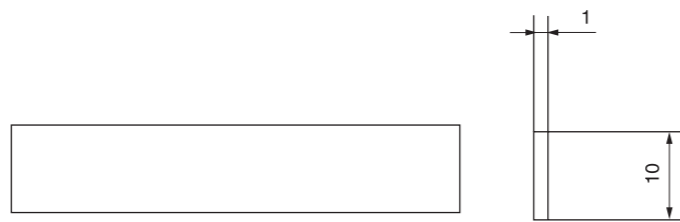


22. 铝包带

Aluminium Tape

型号 Catalog No.	公称规格 Nominal Size (mm)	重量 Weight	
		kg/m	m/kg
FLD-1	1 × 10	0.027	37

铝制品。
Material is aluminium.

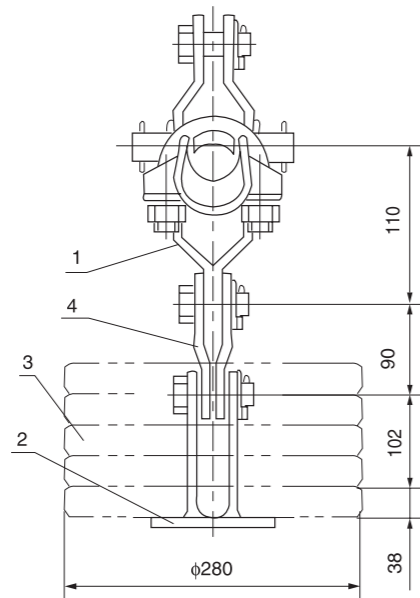


23. 悬重锤及其附件

Counter Weight Assembles

型号 Catalog No.	名称 Name	型号 Catalog No.	重量 Weight (kg)	备注 Remark
1	重锤挂板	ZG-1	0.28	适用于安装于 XGU-4 悬垂线夹上
2	重锤挂板	ZG-2	0.29	适用于安装于 XGU-5、6 悬垂线夹上
3	重锤座	ZJ-1	1.50	
4	重锤片	ZC-1	15.00	
5	平行挂板	PS-7	0.53	见联结金具

重锤片为灰铸铁件，涂漆，其余为热镀锌钢制件。
The counter weights are grey iron, painted. The other parts are hot-dip galvanized steel.



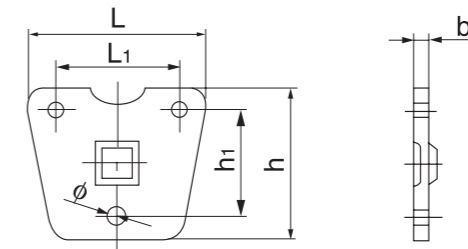
24. 重锤片

Counter Weight Pieces

24-1

型号 Catalog No.	主要尺寸 Dimensions (mm)						重量 Weight (kg)
	L	L1	h	h1	b	φ	
ZC-18	350	240	320	220	30	24	20
ZC-18G	350	240	300	220	30	24	21.8

灰铸铁件，涂漆。
Painted grey iron.

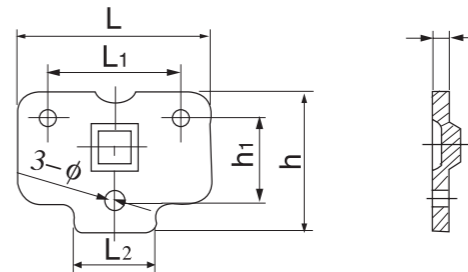


(图24-1) (Fig.24-1)

24-2

型号 Catalog No.	主要尺寸 Dimensions (mm)							重量 Weight (kg)
	L	L1	L2	h	h1	b	φ	
ZC-20	390	240	200	300	225	30	24	20
ZC-22	420	240	170	310	225	32	24	22

灰铸铁件，涂漆。
Painted grey iron.

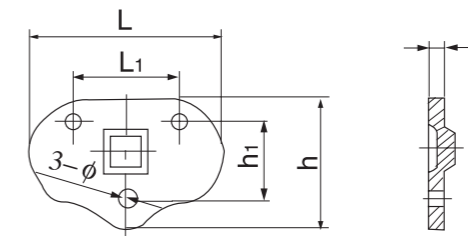


(图24-2) (Fig.24-2)

24-3

型号 Catalog No.	主要尺寸 Dimensions (mm)						重量 Weight (kg)
	L	L1	h	h1	b	φ	
ZD-20	450	240	335	220	30	24	21.8

灰铸铁件，涂漆。
Painted grey iron.



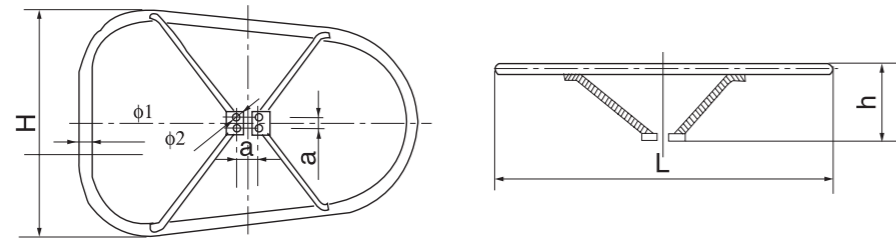
(图24-3) (Fig.24-3)

25. 均压屏蔽环

Grading & Shielding Rings

25-1

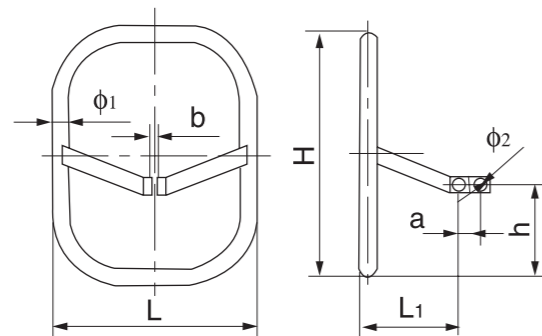
型号 Catalog No.	主要尺寸 Dimensions (mm)						材料 Material	重量 Weight (kg)
	H	h	a	ϕ_1	ϕ_2	L		
FJP-500N	900	330	60	50	18	1450	钢制	18.5
FJP-500NL	900	330	60	50	18	1450	铝制	7.7
FJP-500NL1	900	380	60	50	18	1450	铝制	7.9
FJP-500NL2	900	380	60	50	18	1570	铝制	8.4
FJP-500NL3	900	380	60	50	18	1800	铝制	9.3
FJP-500NL4	800	380	60	50	18	1680	铝制	8.4



(图25-1) (Fig.25-1)

25-2

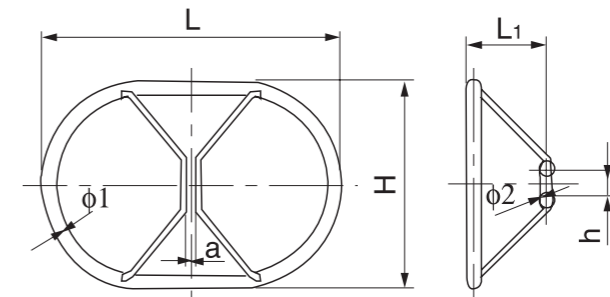
型号 Catalog No.	主要尺寸 Dimensions (mm)								材料 Material	重量 Weight (kg)
	L	L1	H	h	ϕ_1	ϕ_2	a	b		
FJP-500XL	600	235	700	250	50	18	60	20	钢制	8.7
P1-500X	700	285	800	300	50	18	60	20	铝制	5.0
PL-500X	600	235	700	250	50	18	60	20	铝制	4.6



(图25-2) (Fig.25-2)

25-3

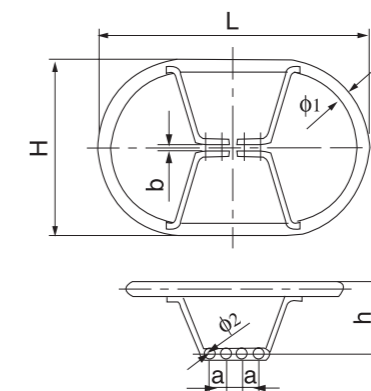
型号 Catalog No.	主要尺寸 Dimensions (mm)							材料 Material	重量 Weight (kg)
	L	L1	H	h	ϕ_1	ϕ_2	a		
FJP-500XD	700	290	600	80	50	18	20	钢制	8.8
FJP-500XD1	700	270	600	45	50	14	50	钢制	9.0
FJP-500X4	1150	490	1150	80	50	18	30	钢制	20.10
FJP-500XDL	700	290	600	80	50	14	20	铝制	3.9
FJP-500XDL1	800	290	700	80	50	18	20	铝制	4.8
FJP-500XDL2	700	290	600	80	50	14	20	铝制	4.1
FJP-500XDL3	800	210	700	80	50	18	20	铝制	4.6
FJP-500XDL4	700	290	600	40	50	14	20	铝制	4.1
FJP-500XD1L	700	270	600	45	50	14	50	铝制	3.9



(图25-3) (Fig.25-3)

25-4

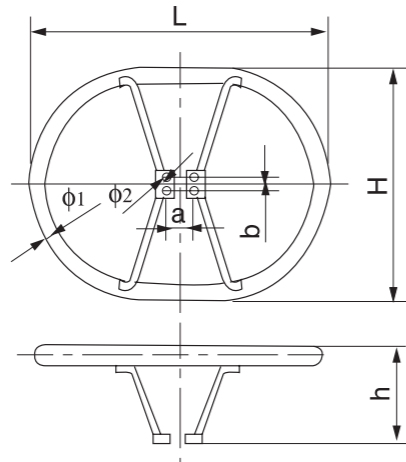
型号 Catalog No.	主要尺寸 Dimensions (mm)								材料 Material	重量 Weight (kg)
	L	H	h	ϕ_1	ϕ_2	a	b			
FJP-500XS	1050	600	230	50	18	60	22	钢制	12.5	
FJP-500XS	1050	600	230	50	18	60	22	铝制	4.5	
FJ-500XSL1	1200	600	230	50	18	60	20	铝制	6.1	
FJ-500XSL2	1280	680	260	50	18	60	20	铝制	6.3	
FJ-500XSL3	1140	600	260	50	18	60	20	铝制	5.6	
FJ-500XSL4	1280	680	305	50	18	60	30	铝制	7.6	



(图25-4) (Fig.25-4)

25-5

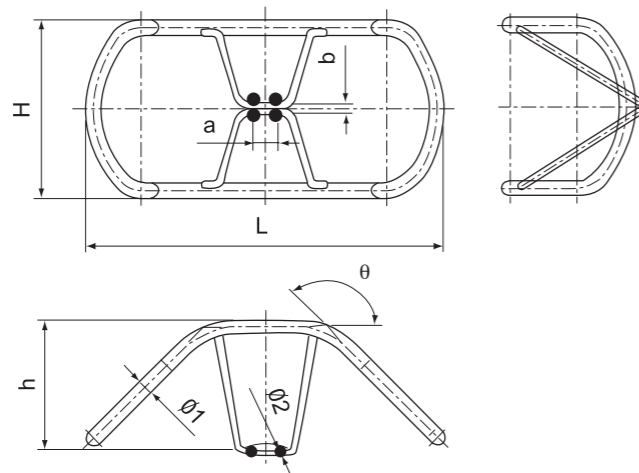
型号 Catalog No.	主要尺寸 Dimensions (mm)							材料 Material	重量 Weight (kg)
	L	H	h	$\phi 1$	$\phi 2$	a	b		
P1-500N4	1050	750	270	50	18	60	60	钢制	10.7
P1-500NSL	1050	750	270	50	18	60	60	铝制	6.6



(图 25-5) (Fig. 25-5)

25-6

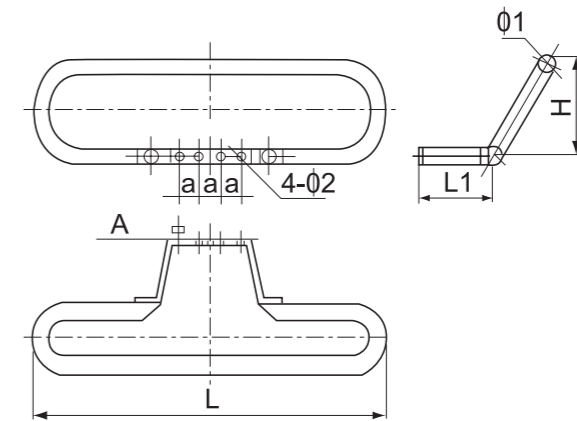
型号 Catalog No.	主要尺寸 Dimensions (mm)								材料 Material	重量 Weight (kg)
	L	H	h	$\phi 1$	$\phi 2$	a	b	θ		
FJP-500XV/45	1213	600	440	50	18	80	22	135	铝制	7.1
LJ2-500XV/50	1236	600	492	50	18	80	20	140	铝制	7.2
LJ2-500XV/45	1156	600	463	60	18	80	26	135	铝制	8.7
LJ2-500XV-L	1149	600	430	60	18	80	28	144	铝制	9.2



(图 25-6) (Fig. 25-6)

25-7

型号 Catalog No.	主要尺寸 Dimensions (mm)						材料 Material	重量 Weight (kg)
	L	L1	H	a	$\phi 1$	$\phi 2$		
J-500NSL	1060	215	300	60	50	18	铝制	4.3
J-500NSL1	1200	215	300	60	50	18	铝制	5.3
J-500DSL	1060	215	300	180	50	18	铝制	6.2
J-500N4	800	215	370	180	50	18	钢制	6.4

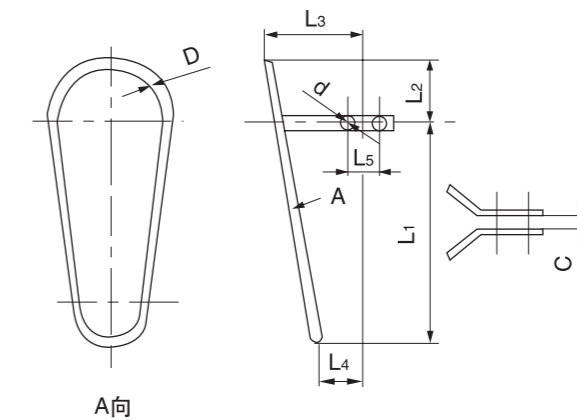


(图 25-7) (Fig. 25-7)

26. 均压屏蔽环 (330kV 线路用)
Grading & Shielding Rings for 330kV Line

26-1

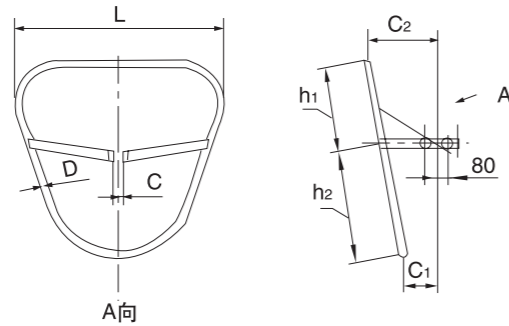
型号 Catalog No.	主要尺寸 Dimensions (mm)								材料 Material	重量 Weight (kg)
	D	d	c	L1	L2	L3	L4	L5		
FJP-330N	32	18	24	650	350	392	120	80	钢制	5.2
FJP-330NL	32	18	24	650	350	392	120	80	铝制	3.0
J-330N	32	18	24	702	372	176	136	80	钢制	5.0



(图 26-1) (Fig. 26-1)

26-2

型号 Catalog No.	主要尺寸 Dimensions (mm)							材料 Material	重量 Weight (kg)
	C	C1	C2	D	h1	h2	L		
FJP-330-X	18	145	220	32	270	350	800	钢制	5.5
FJP-330XL	18	145	220	32	270	350	800	铝制	2.7
FJP-330-NB	26	150	392	32	320	380	800	钢制	5.6



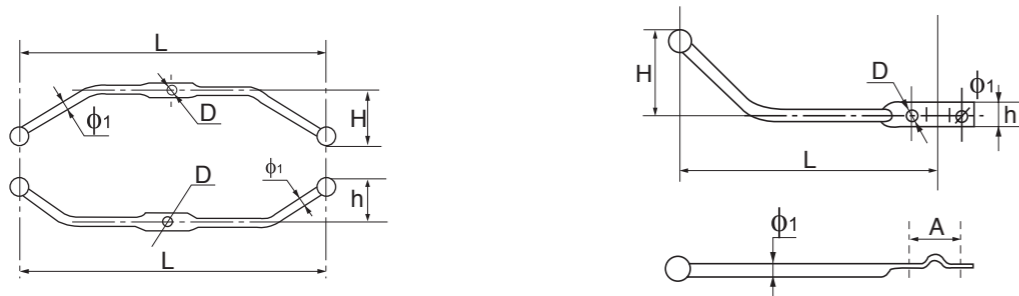
(图 26-2) (Fig. 26-2)

27. 招弧角
Arcing Horn

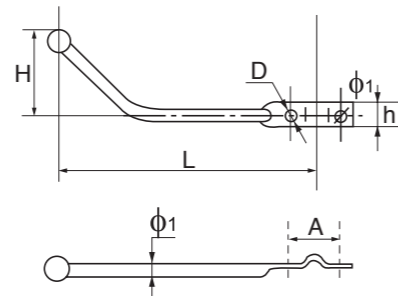
27-1

型号 Catalog No.	主要尺寸 Dimensions (mm)					电压等级 Recommend Voltage (kV)	重量 Weight (kg)
	D	H	L	$\phi 1$	h		
ZH-01	14.5	197	712	16	114	138	1.20
ZH-02	14.5	197	762	16	114	161~230	1.26

热镀锌钢制件。(图 27-1)
Made of hot-dip galvanized steel. (Fig. 27-1)



(图 27-1) (Fig. 27-1)



(图 27-2) (Fig. 27-2)

27-2

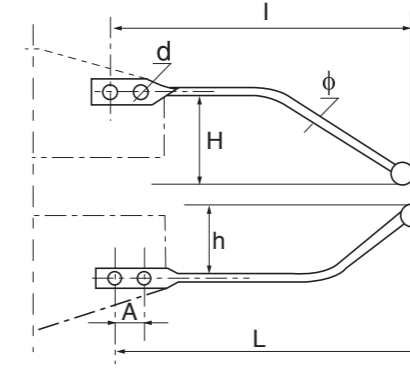
型号 Catalog No.	主要尺寸 Dimensions (mm)						电压等级 Recommend Voltage (kV)	重量 Weight (kg)
	A	D	H	L	$\phi 1$	h		
ZH-11	60	14.5	197	356	16	114	110~160	1.15
ZH-12	60	14.5	197	385	16	114	110~160	1.20

热镀锌钢制件。(图 27-2)
Made of hot-dip galvanized steel. (Fig. 27-2)

27-3

型号 Catalog No.	主要尺寸 Dimensions (mm)						电压等级 Recommend Voltage (kV)	重量 Weight (kg)
	A	d	H	L	ϕ	h		
ZH-21	45	14.5	270	340	16	203	110~160	0.86
ZH-22	45	14.5	270	372	16	203	110~160	1.03

热镀锌钢制件。
Made of hot-dip galvanized steel.

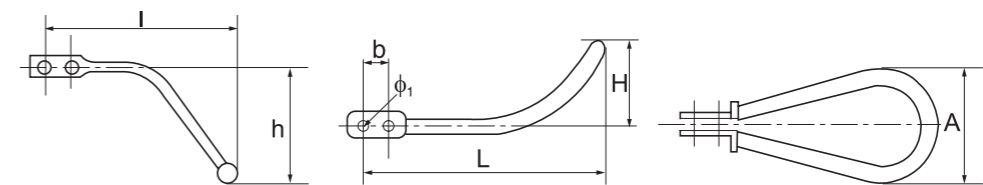


(图 27-3) (Fig. 27-3)

27-4

型号 Catalog No.	主要尺寸 Dimensions (mm)							电压等级 Recommend Voltage (kV)	重量 Weight (kg)
	H	L	b	h	I	$\phi 1$	A		
ZH-31	203	434	45	270	372	14.5	203	230~270	2.00
ZH-32	114	445	45	197	381	14.5	203	230~270	2.10

热镀锌钢制件。
Made of hot-dip galvanized steel.



(图 27-4) (Fig. 27-4)

六、拉线金具

GUY WIRE FITTING

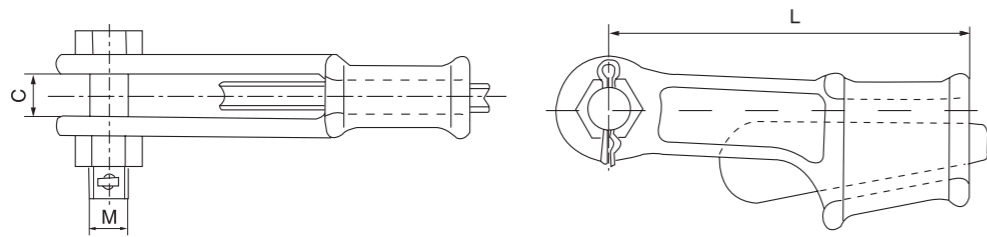
1. 楔型线夹

Wedge Clamps

型号 Catalog No.	钢绞线外径 Steel Wire Dia. (mm)	主要尺寸 Dimensions (mm)			破坏荷重 Rated Failure Load (kN)	重量 Weight (kg)
		C	M	L		
NX-1	6.6~7.8	18	16	150	45	1.2
NX-2.1	8.7~10.5	20	18	189	88	2.4
NX-3.1	13.0~14.0	24	24	214	143	4.4
NX-4.1	14.5~16.0	28	24	238	164	6.0

线夹的本身和楔子为可锻铸铁，热镀锌。闭口销为不锈钢制件，其余为钢制件，热镀锌。

The body and wedge are malleable iron. The cotter pin is stainless steel. The other parts are steel. All ferrous parts are hot-dip galvanized.



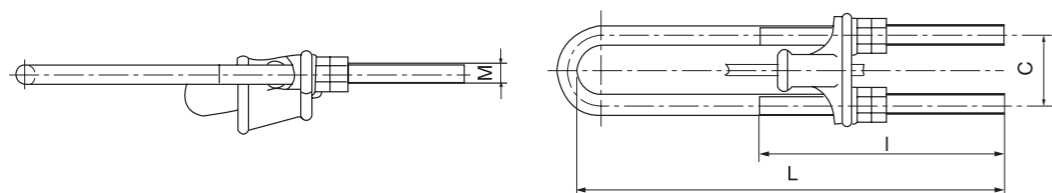
2. UT 型线夹 (可调式)

UT Wedge Clamps (Adjustable Type)

型号 Catalog No.	钢绞线外径 Steel Wire Dia. (mm)	主要尺寸 Dimensions (mm)				破坏荷重 Rated Failure Load (kN)	重量 Weight (kg)
		M	L	l	C		
NUT-1	6.6~7.8	16	350	200	56	45	2.1
NUT-2	9.0~11.0	18	430	250	62	88	3.2
NUT-3	13.0~14.0	22	500	300	74	143	5.5
NUT-4	15.0~16.0	24	580	350	82	164	7.2

线夹的本身和楔子为可锻铸铁，其余为钢制件，全部热镀锌。如需防盗，可另购防盗装置。

The body and wedge are malleable iron, the other parts are steel. All ferrous parts are hot-dip galvanized. Thief-proof equipment can be supplied if it is needed.



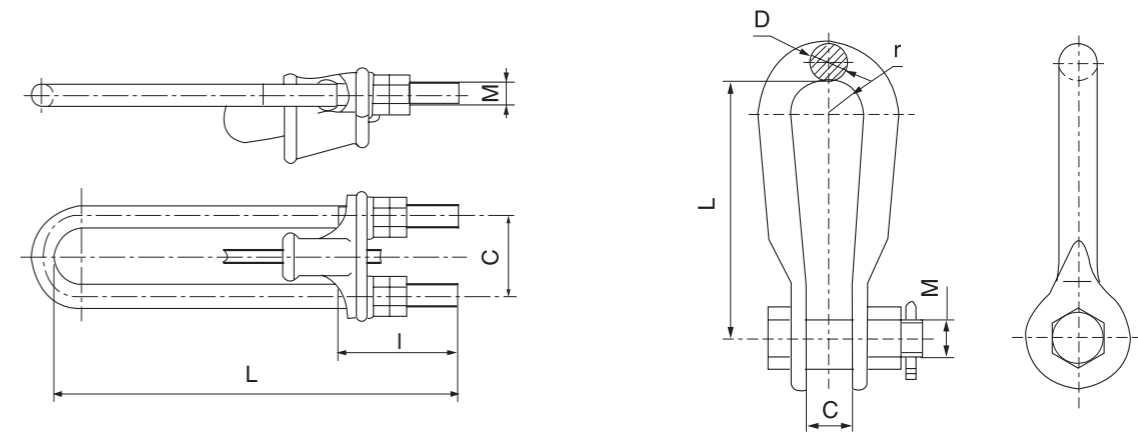
3. UT 型线夹 (不可调式)

UT Wedge Clamps (Non-adjustable Type)

型号 Catalog No.	钢绞线外径 Steel Wire Dia. (mm)	主要尺寸 Dimensions (mm)				破坏荷重 Rated Failure Load (kN)	重量 Weight (kg)
		M	L	l	C		
NU-3	13.0~14.0	22	290	60	74	143	4.2
NU-4	15.0~16.0	24	340	70	82	164	7.3

线夹的本身和楔子为可锻铸铁，其余为钢制件，全部热镀锌。如需防盗，可另购防盗装置。(图 3)

The body and wedge are malleable iron, the other parts are steel. All ferrous parts are hot-dip galvanized. Thief-proof equipment can be supplied if it is needed.(Fig. 3)



(图 3) (Fig. 3)

(图 4) (Fig. 4)

4. 拉线 U 型挂环 (UL 型)

Shackles

型号 Catalog No.	主要尺寸 Dimensions (mm)					破坏荷重 Rated Failure Load (kN)	重量 Weight (kg)
	C	M	D	L	r		
UL-7	20	16	16	120	15	70	0.7
UL-10	22	18	18	140	17	100	0.9
UL-12	24	22	20	140	18	120	1.4
UL-16	26	24	22	140	19	160	1.6
UL-1615	26	24	22	150	19	160	1.6
UL-20	30	27	24	160	22	200	2.9
UL-32A	30	27	24	150	20	320	3.1
UL-16S	28	24	20	140	16	160	1.1
UL-21S	28	24	20	160	16	210	1.7
UL-32S	32	30	28	160	20	320	3.4

除闭口销为不锈钢制件，其余为热镀锌钢制件。(图 4)

The cotter pin is stainless steel, the other parts are hot-dip galvanized steel.(Fig. 4)

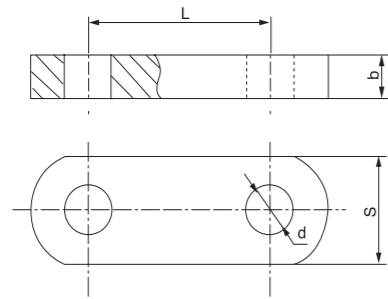
5. 平行挂板 (PD 型)

Double Straps (Type PD)

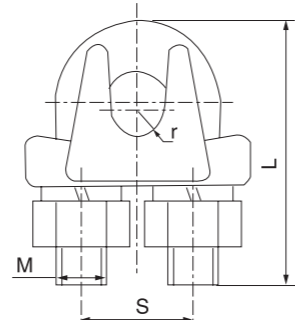
型号 Catalog No.	主要尺寸 Dimensions (mm)				标称破坏荷重 Rated Failure Load (kN)	重量 Weight (kg)
	d	b	h	S		
PD-7	18	16	70	40	70	0.5
PD-10	20	16	80	45	100	0.7
PD-12	24	16	100	50	120	1.1
PD-16	26	22	130	60	160	1.4
PD-1612	26	18	120	60	160	1.4
PD-1614	26	22	140	60	160	2.0
PD-20	26	26	110	70	200	2.1
PD-2018	26	26	180	70	200	3.4
PD-30	39	32	150	92	300	4.6
PD-3012	39	32	120	80	300	3.9
PD-3018	39	32	180	80	300	4.8
PD-42	42	36	260	100	420	9.0
PD-50	45	38	130	110	500	7.0
PD-60	51	42	135	124	600	8.5
PD-2114S	26	20	140	60	210	1.8
PD-3214S	33	28	140	60	320	2.5
PD-42120S	39	32	120	85	420	3.5
PD-64S	45	36	135	100	640	5.5
PD-84230S	51	36	230	122	840	10.2

热镀锌钢制件。(图 5)

Hot-dip galvanized steel.(Fig. 5)



(图 5) (Fig. 5)



(图 6) (Fig. 6)

6. 钢线卡子

Guy Clips

型号 Catalog No.	钢绞线外径 Steel Wire Dia. (mm)	主要尺寸 Dimensions (mm)				重量 Weight (kg)
		M	L	S	r	
JK-1	6.6~7.8	10	54	22	5	0.2
JK-2	9.0~11.0	10	72	28	6	0.3
JK-1612	11.0~13.0	12	72	32	7	0.4

本体为可锻铸铁, 其余为钢制件, 全部热镀锌。(图 6)

The body is malleable iron, the other parts are hot-dip galvanized steel.(Fig. 6)

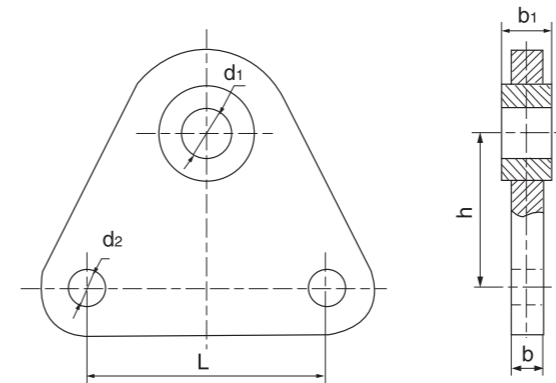
7. 双拉线用联板 (LV 型)

Yoke Plates for Double Guy Wires

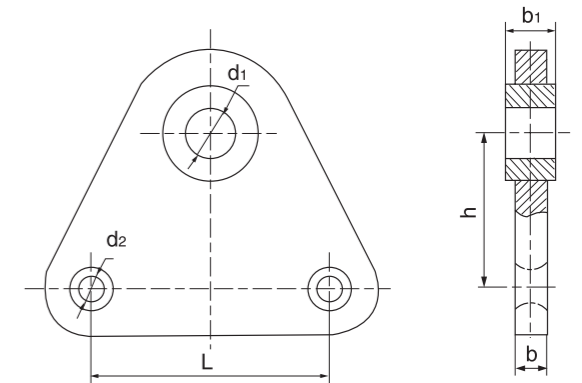
型号 Catalog No.	主要尺寸 Dimensions (mm)						破坏荷重 Rated Failure Load (kN)	简图 Fig. No	重量 Weight (kg)
	b	b1	h	d1	d2	L			
LV-12	16	16	60	26	26	120	120	1	1.7
LV-16	18	18	60	26	26	200	160	1	3.3
LV-0712	16	16	60	18	20	120	70	1	1.5
LV-1020	16	16	60	20	20	200	100	1	1.6
LV-1214	16	16	90	24	20	140	120	1	2.4
LV-1612	18	18	100	26	26	120	160	1	3.2
LV-2015	16	26	100	30	24	150	200	1	2.6
LV-3018	18	32	120	39	26	180	300	1	5.9
LV-5012	20	40	120	44	30	120	500	1	5.8
LV-5020	30	40	150	45	33	200	500	1	7.7
LV-5020S	26	42	130	44	30	200	500	1	9.0
LV-1612A	18	18	60	26	26	120	160	1	2.1
LV-3018.1	18	32	120	39	26	180	300	2	4.7
LV-5020.1	22	42	130	44	30	200	500	2	7.2

钢制件, 热镀锌。

Hot-dip galvanized steel.



(图 1) (Fig. 1)



(图 2) (Fig. 2)

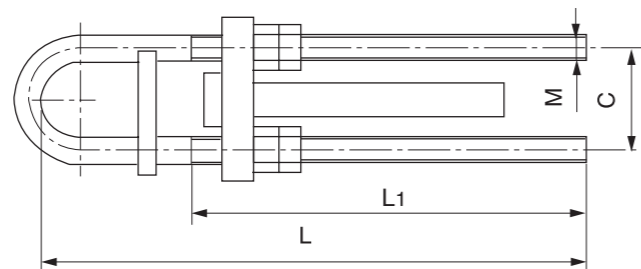
8. 压接式 NLY 型线夹 (可调式)

Type NLY Strain Clamps of Compression Joint (Adjustable Type)

型号 Catalog No.	适用钢绞线 Suitable Steel Wire	主要尺寸 Dimensions (mm)				破坏荷重 Rated Failure Load (kN)	重量 Weight (kg)
		C	M	L	l		
NLY-50	1 × 7-9.0-1370-GB1200-75	72	18	320	230	65.1	3.4
NLY-70	1 × 7-9.0-1370-GB1200-75	72	18	320	230	91.1	3.5
NLY-100	1 × 19-13.0-1470-GB1200-75	84	22	420	300	139.6	6.2
NLY-120	1 × 19-14.0-1470-GB1200-75	94	24	556	400	167.6	8.4
NLY-135	1 × 19-15.0-1470-GB1200-75	94	24	556	400	188.5	8.9
NLY-150	1 × 19-16.0-1470-GB1200-75	104	27	553	400	209.5	11.0
NLY-160	1 × 19-13.0-1470-GB1200-75	84	22	420	300	223.4	6.2
NLY-165	1 × 37-16.8-1470-GB1200-75	104	27	561	408	230.4	12.2
NLY-180	1 × 37-17.5-1470-GB1200-75	114	30	610	450	251.4	15.6
NLY-195	1 × 37-18.2-1470-GB1200-75	114	30	610	460	272.3	16.2
NLY-265	1 × 37-21.0-1570-GB1200-75	128	36	670	440	367.0	26.6
NLY-100E	1 × 19-13.0-1570-GB1200-88	88	22	490	300	151.0	6.3
NLY-125E	1 × 19-14.5-1570-GB1200-88	94	24	556	380	188.0	9.1
NLY-150E	1 × 19-16.0-1570-GB1200-88	104	27	610	400	228.0	12.0
NLY-180E	1 × 19-17.5-1570-GB1200-88	114	30	610	420	273.0	15.6
NLY-240E	1 × 19-20.0-1570-GB1200-88	128	36	670	440	357.0	22.6
NLY-100C	1 × 19-13.0-1370-GB1200-88	94	24	420	300	130.1	6.1
NLY-125C	1 × 19-14.5-1370-GB1200-88	96	24	480	340	162.7	7.7
NLY-150C	1 × 19-16.0-1470-GB1200-88	104	27	553	400	209.5	11.0
NLY-135A	GJ-135	94	24	480	300	185	8.6
NLY-400	7 × 19 × 30	200	36	960	700	588	47.5
NLY-500	7 × 19 × 33	200	36	960	700	686	48.7
NLY-700	7 × 19 × 39	200	42	960	700	980	67.6

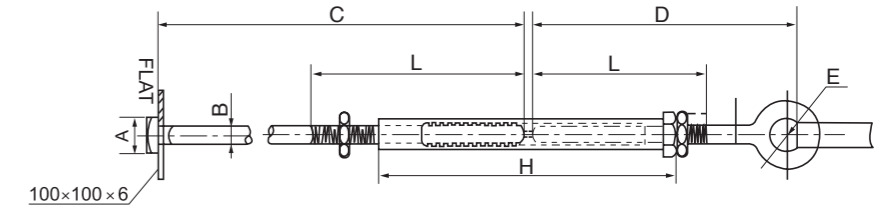
钢制件，热镀锌。如需防盗，可另购防盗装置。

Hot-dip galvanized steel. Thief-proof equipment can be supplied if it is needed.



9. 螺扣式拉杆

Turnbuckle Stay Rod



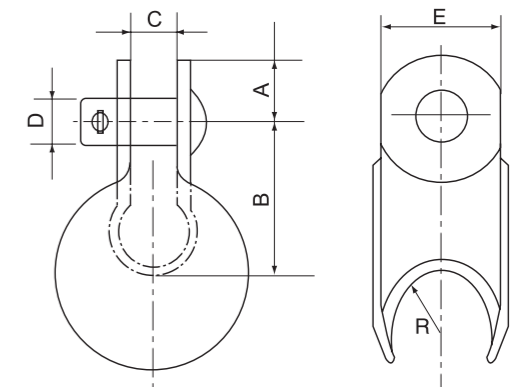
型号 Catalog No.	主要尺寸 Dimensions (mm)							抗拉强度 U.T.S. (kN)	重量 Weight (kg)
	A	B	C	D	E	H	L		
CH-16	30	16	2000	314	22	350	230	54	5.2
CH-18	35	18	2440	321	25	405	230	65	7.9
CH-22	35	20	2440	325	25	400	230	85	8.8
CH-24	40	22	2500	334	30	400	230	110	10.5

热镀锌钢制件。

Made of hot-dip galvanized steel.

10. 心环挂板

Thimble Clevis



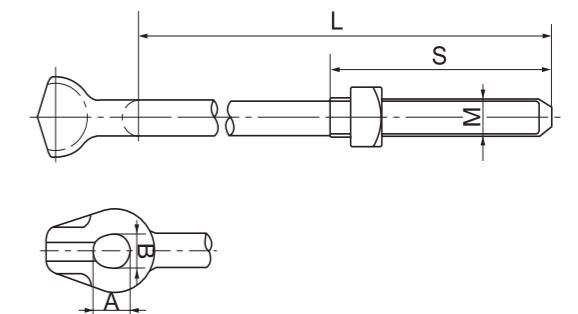
型号 Catalog No.	主要尺寸 Dimensions (mm)						重量 Weight (kg)
	A	B	C	D	E	R	
XG-7A	25	54	19	12	40	26	0.49
XG-7B	25	54	19	16	40	35	0.55

热镀锌钢制件。

Made of hot-dip galvanized steel.

11. 虎头拉杆

Anchor Rod



型号 Catalog No.	主要尺寸 Dimensions (mm)					抗拉强度 U.T.S (kN)	重量 Weight (kg)
	M	L	S	A	B		
XLZ-01B	16	203	102	17.5	14.3	56	0.35
XLZ-02B	16	254	102	17.5	14.3	56	0.40
XLZ-03B	16	305	152	17.5	14.3	56	0.50
XLZ-04B	20	254	102	20.6	17.5	60	0.90
XLZ-05B	20	305	152	20.6	17.5	60	0.95

热镀锌钢制件。

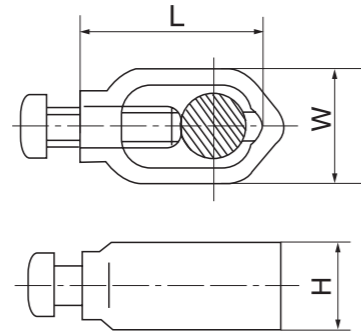
Made of Drop forged steel, hot-dip galvanized steel.

七、接地金具

GROUNDING FITTINGS

1. 接地棒线夹

Grounding Clamp



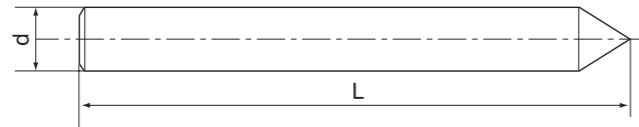
型号 Catalog No.	主要尺寸 Dimensions (mm)			重量 Weight (kg)	镀层 Coating
	L	W	H		
GDX-1419	50	32	25	0.85	热镀锌 Hot-dip galvanized
GDT-1419	50	32	25	0.85	电镀铜 Copper plated
GBT-1419	42	27	25	0.20	铜合金 Brassing

接地线夹为可锻铸铁或铜合金，螺栓为钢制件或铜合金。

The body is made of malleable iron or brassing. The bolt is hot-dip galvanized steel or brassing.

2. 接地棒

Grounding Rod



型号 Catalog No.	主要尺寸 Dimensions (mm)		重量 Weight (kg)	镀层 Coating
	d	L		
JDX-1415	14	1500	1.8	热镀锌 Hot-dip galvanized
JDX-1618	16	1800	2.8	
JDX-1630	16	3000	4.7	
JDX-1918	19	1800	4.0	
JDX-1930	19	3000	6.3	
JDT-1415	14	1500	1.8	电镀铜 copper plated
JDT-1618	16	1800	2.8	
JDT-1630	16	3000	4.7	
JDT-1918	19	1800	4.0	
JDT-1930	19	3000	6.3	
JBT-1415	14	1500	1.9	铜包钢 copper coated
JBT-1618	16	1800	2.9	
JBT-1630	16	3000	4.8	
JBT-1918	19	1800	4.1	
JBT-1930	19	3000	6.4	

接地棒镀层分为三种，JDX 型是热镀锌钢接地棒，JDT 型是电镀铜钢接地棒，JBT 型是铜包钢接地棒。

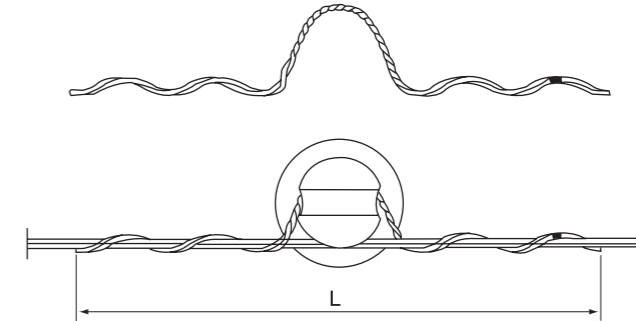
The grounding rods are made in according to three coated ways. "JDX" type are made of hot-dip galvanized steel, "JDT" type are made of copper plated steel, "JBT" type are made of copper coated steel.

八、绑线金具

BUNDLE FITTINGS

1. 绝缘子侧部绑线

Side Tie

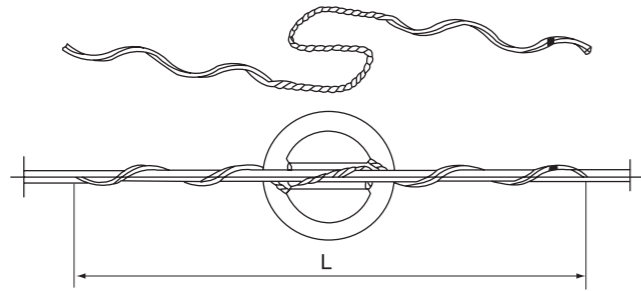


型号 Catalog No.	适用导线外径 Conductor Dia. (mm)	主要尺寸 Dimensions (mm) L	型号色标 Type Color Code	绝缘子颈径色标 Mode Dia Color Code	重量 Weight (kg)	
ST-480550C	4.80-5.50	410	兰 Blue	C 型: 黑色 Mark: Black for Type C	0.06	
ST-551620C	5.51-6.20	430	棕 Brown		0.07	
ST-621700C	6.21-7.00	480	橙 Orange		0.08	
ST-701800C	7.01-8.00	540	紫 Purple		0.09	
ST-801910C	8.01-9.10	610	红 Red		0.13	
ST-9111030C	9.11-10.30	660	黄 Yellow		0.14	
ST-10311170C	10.31-11.70	660	兰 Blue		0.18	
ST-1171320C	11.71-13.20	740	橙 Orange		0.19	
ST-13211490C	13.21-14.90	790	红 Red		0.20	
ST-14911690C	14.91-16.90	580	紫 Purple		0.21	
ST-16911920C	16.91-19.20	640	棕 Brown		0.27	
ST-19212170C	19.21-21.70	660	红 Red		0.28	
ST-21712460C	21.71-24.60	710	兰 Blue		0.29	
ST-24612780C	24.61-27.80	740	绿 Green		0.30	
ST-27813150C	27.81-31.50	840	黄 Yellow		0.34	
ST-480550F	4.80-5.50	410	兰 Blue		F 型: 黄色 Mark: Yellow for Type F	0.06
ST-551620F	5.51-6.20	430	棕 Brown			0.07
ST-621700F	6.21-7.00	480	橙 Orange	0.08		
ST-701800F	7.01-8.00	540	紫 Purple	0.09		
ST-801910F	8.01-9.10	610	兰 Blue	0.13		
ST-9111030F	9.11-10.30	660	黄 Yellow	0.14		
ST-10311170F	10.31-11.70	660	兰 Blue	0.18		
ST-1171320F	11.71-13.20	740	橙 Orange	0.19		
ST-13211490F	13.21-14.90	790	红 Red	0.20		
ST-14911920F	14.91-16.90	580	紫 Purple	0.21		
ST-16911920F	16.91-19.20	640	棕 Brown	0.27		
ST-19212170F	19.21-21.70	660	红 Red	0.28		
ST-21712460F	21.71-24.60	710	兰 Blue	0.29		
ST-24612780F	24.61-27.80	740	绿 Green	0.30		
ST-27813150F	27.81-31.50	840	黄 Yellow	0.34		

材料: 铝包钢适用于钢芯铝绞线、铝绞线、铝合金绞线、绝缘导线与绝缘子绑固。

Material: aluminium covered steel, for using on ACSR, AAC, AAAC and plastic insulated conductor.

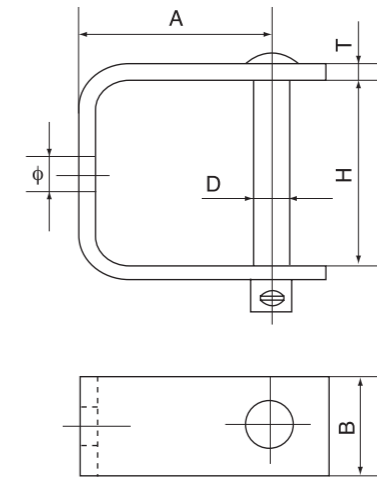
2. 绝缘子顶部绑线 Distribution Tie



型号 Catalog No.	适用导线外径 Conductor Dia. (mm)	主要尺寸 Dimensions (mm) L	型号色标 Type Color Code	绝缘子颈径色标 Mode Dia Color Code	重量 Weight (kg)	
DT-480550C	4.80-5.50	610	兰 Blue	C 型: 黑色 Mark: Black for Type C	0.08	
DT-551620C	5.51-6.20	640	棕 Brown		0.09	
DT-621700C	6.21-7.00	660	橙 Orange		0.09	
DT-701800C	7.01-8.00	660	紫 Purple		0.09	
DT-801910C	8.01-9.10	710	红 Red		0.09	
DT-9111030C	9.11-10.30	760	黄 Yellow		0.09	
DT-10311170C	10.31-11.70	640	兰 Blue		0.15	
DT-1171320C	11.71-13.20	640	橙 Orange		0.16	
DT-13211490C	13.21-14.90	710	红 Red		0.17	
DT-14911690C	14.91-16.90	760	紫 Purple		0.17	
DT-16911920C	16.91-19.20	790	棕 Brown		0.18	
DT-19212170C	19.21-21.70	810	红 Red		0.18	
DT-21712460C	21.71-24.60	860	兰 Blue		0.19	
DT-24612780C	24.61-27.80	940	绿 Green		0.19	
DT-27813150C	27.81-31.50	1020	黄 Yellow		0.20	
DT-480550F	4.80-5.50	640	兰 Blue		F 型: 黄色 Mark: Yellow for Type F	0.09
DT-551620F	5.51-6.20	660	棕 Brown			0.09
DT-621700F	6.21-7.00	690	橙 Orange	0.09		
DT-701800F	7.01-8.00	740	紫 Purple	0.10		
DT-801910F	8.01-9.10	790	兰 Blue	0.10		
DT-9111030F	9.11-10.30	810	黄 Yellow	0.10		
DT-10311170F	10.31-11.70	660	兰 Blue	0.17		
DT-1171320F	11.71-13.20	690	橙 Orange	0.17		
DT-13211490F	13.21-14.90	740	红 Red	0.18		
DT-14911920F	14.91-16.90	790	紫 Purple	0.18		
DT-16911920F	16.91-19.20	790	棕 Brown	0.19		
DT-19212170F	19.21-21.70	810	红 Red	0.19		
DT-21712460F	21.71-24.60	890	兰 Blue	0.20		
DT-24612780F	24.61-27.80	970	绿 Green	0.20		
DT-27813150F	27.81-31.50	1040	黄 Yellow	0.21		

材料: 铝包钢适用于钢芯铝绞线、铝绞线、铝合金绞线、绝缘导线与绝缘子绑固。
Material: aluminium covered steel, For using on ACSR, AAC, AAAC and plastic Jacketed conductor.

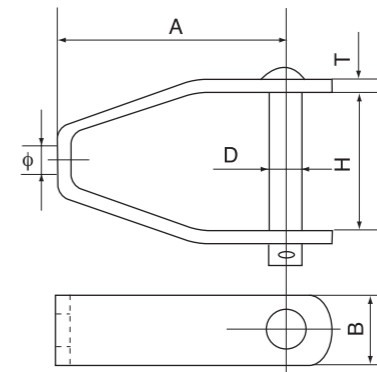
3. D型板 D-Bracket



3-1

型号 Catalog No.	主要尺寸 Dimensions (mm)						破坏荷重 Rated Failure Load (kN)	重量 Weight (kg)
	A	B	D	H	T	ϕ		
DB-4044	58	40	8	44	4	10	8	0.30
DB-4050	68	40	10	50	6	14	11	0.50
DB-3058	64	30	10	58	5	14.0	11	0.30
DB-4070	89	40	16	70	6	17.5	18	0.80
DB-4079	115	40	16	79	6	17.5	18	0.90
DB-4592	95	45	20	92	8	21.5	22	1.40
DB-45105	108	45	20	105	8	21.5	20	1.60
DB-45121	144	45	20	121	8	21.5	20	1.90

热镀锌钢制件。
Made of hot-dip galvanized steel.

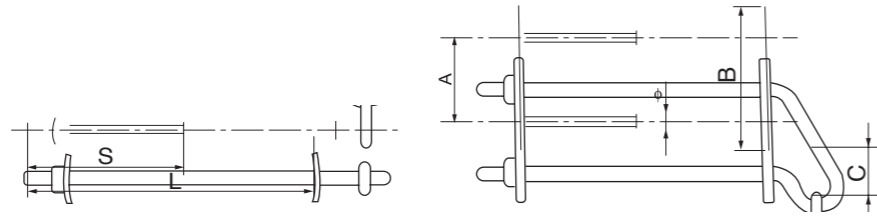


3-2

型号 Catalog No.	主要尺寸 Dimensions (mm)						重量 Weight (kg)
	A	B	D	H	T	ϕ	
CB-11	128	40	16	86	6	17.5	0.75
CB-12	106	40	12	60	6	14.0	0.60
CB-13	106	40	16	60	6	17.5	0.62

热镀锌钢制件。
Made of hot-dip galvanized steel.

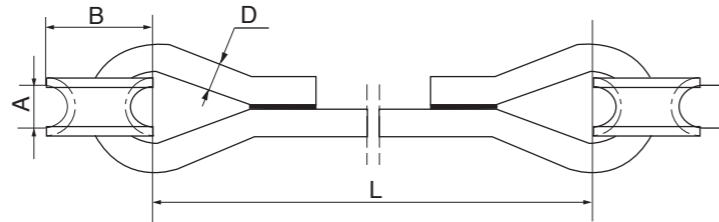
4. 地线吊架
Ground Wire Support



型号 Catalog No.	主要尺寸 Dimensions (mm)						重量 Weight (kg)
	L	S	A	B	C	φ	
DZ-01	292	127	102	178	57	16	2.8
DZ-02	343	191	102	178	57	16	2.9

热镀锌钢制件。
Made of hot-dip galvanized Steel.

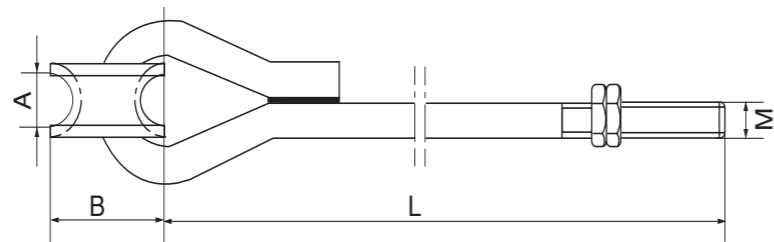
5. 拉线杆
Stay Rod



型号 Catalog No.	主要尺寸 Dimensions (mm)				重量 Weight (kg)
	A	B	D	L	
LG-01	17.5	47	12	2800	3.80
LG-02	17.5	47	16	3200	6.70
LG-03	22.0	47	22	3800	13.60

热镀锌钢制件。
Made of hot-dip galvanized steel.

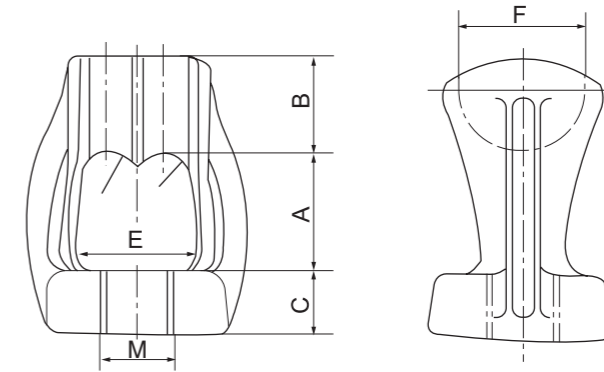
6. 拉线杆
Eye Bolt With Thimble



型号 Catalog No.	主要尺寸 Dimensions (mm)				重量 Weight (kg)
	A	B	M	L	
LG-11	17.5	47	16	1828	3.90
LG-12	22.0	51	20	2438	6.72
LG-13	22.0	65	22	3048	11.50

热镀锌钢制件
Made of hot-dip galvanized steel.

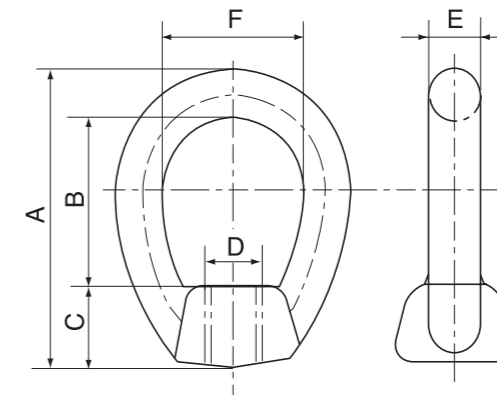
7. 双环螺母
Twin Eye Nut



型号 Catalog No.	主要尺寸 Dimensions (mm)						重量 Weight (kg)
	A	B	C	M	E	F	
4005	32	25	17	16	32	35	0.70
4007	32	25	17	20	32	35	0.68

热镀锌锻钢件。
Made of hot-dip galvanized drop forged steel.

8. 带环螺母
Oval Eye Nut

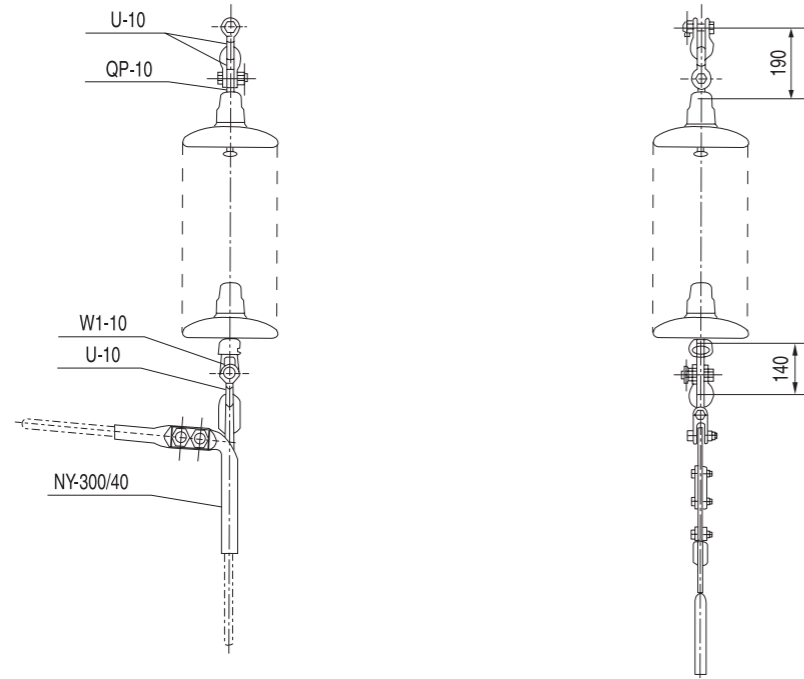


型号 Catalog No.	主要尺寸 Dimensions (mm)						重量 Weight (kg)
	A	B	C	M	E	F	
4015	67	44	19	16	13	29	0.25
4017	76	44	19	20	13	38	0.28

热镀锌锻钢件。
Made of hot-dip galvanized drop forged steel.

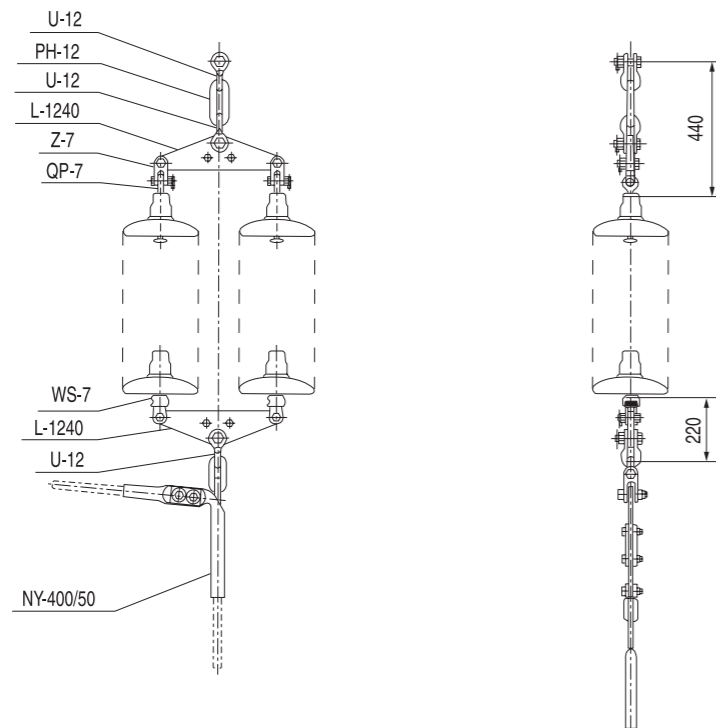
附录 1. 单导线单联耐张串

Appendix1: Single Tension String for One Conductor



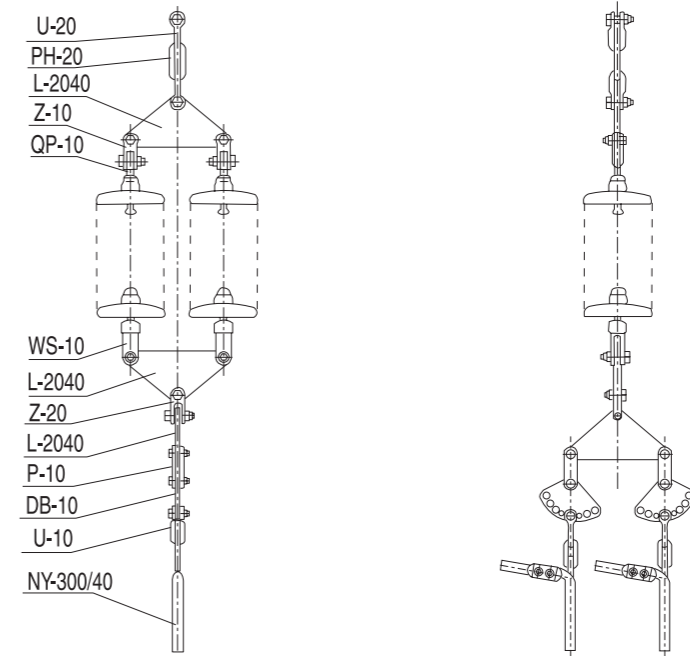
附录 2. 单导线双联耐张串

Appendix2: Double Tension Strings for One Conductor



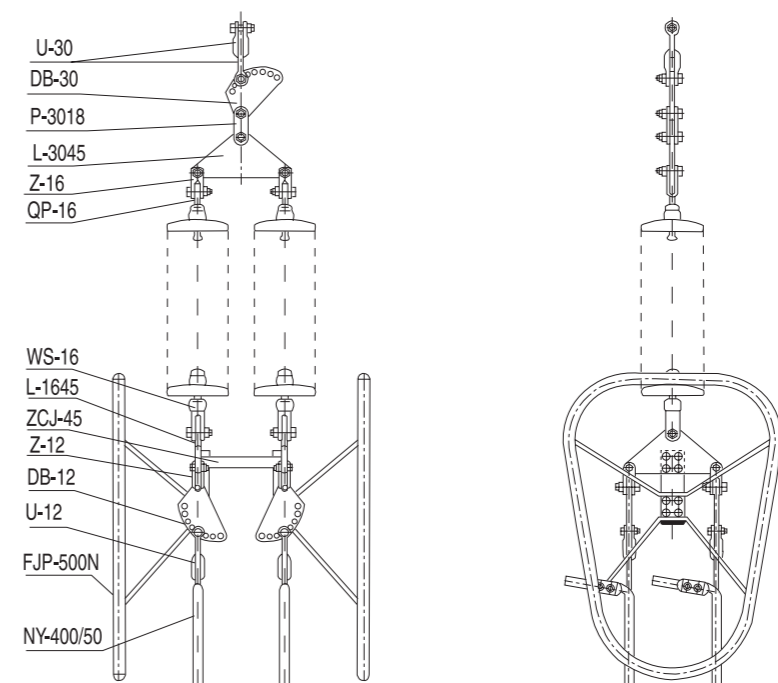
附录 3. 双分裂导线双联耐张串

Appendix3: Double Tension Strings for Two-Bundle Conductor



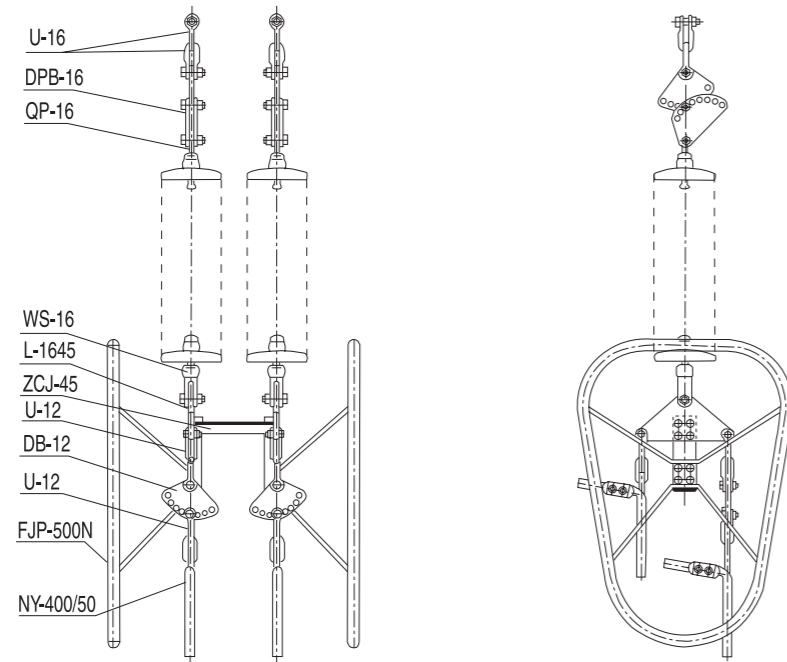
附录 4. 四分裂导线双联耐张串

Appendix4: Double Tension Strings for Four-Bundle Conductor



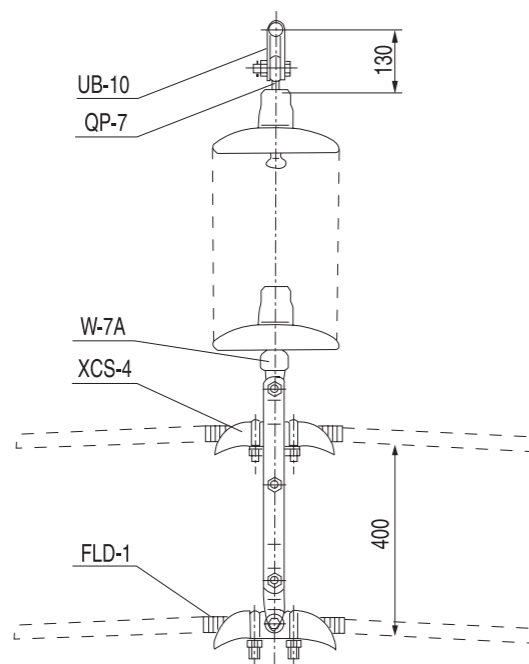
附录 5. 四分裂导线双联双挂点耐张串

Appendix5: Double Hanging-point Double Strain Strings for Four-Bundle Conductor



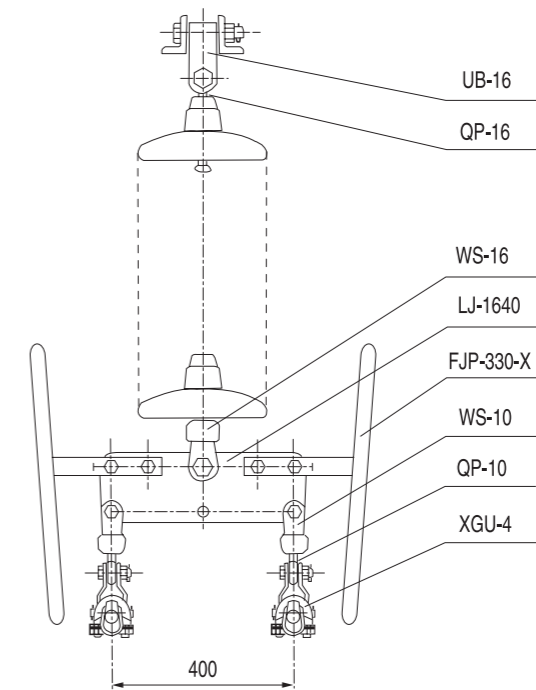
附录 6. 双分裂导线单联悬垂串

Appendix6: Single Suspension String for Two-Bundle Conductor



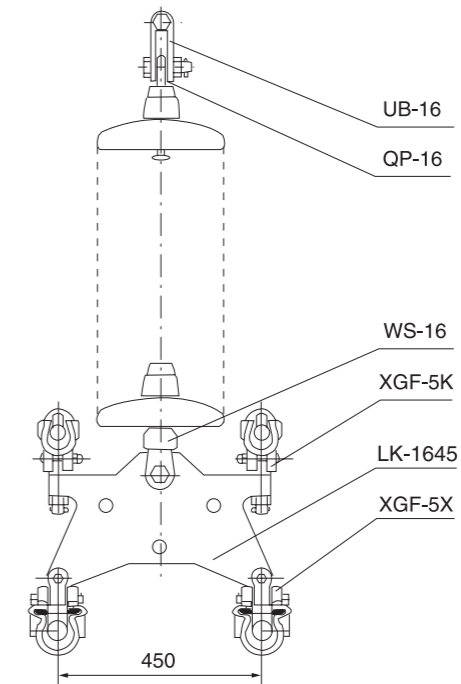
附录 7. 双分裂导线单联悬垂串（水平排列）

Appendix7: Single Suspension String for Two-Bundle Conductor



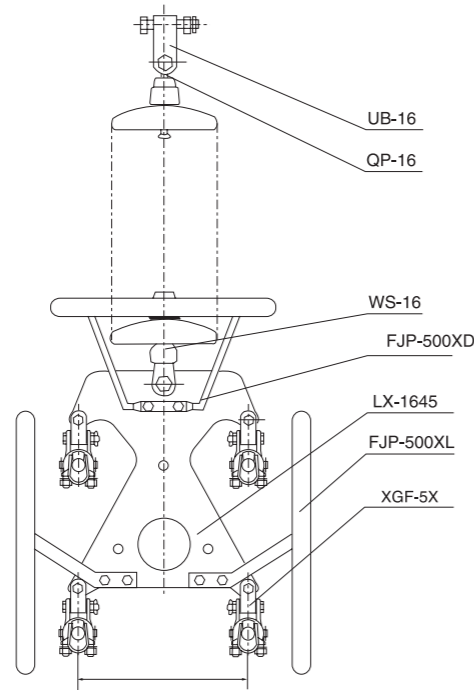
附录 8. 四分裂导线单联悬垂串（上扛联板）

Appendix8: Single Suspension String for Four-Bundle Conductor (Using Yoke Plate with Type LK)



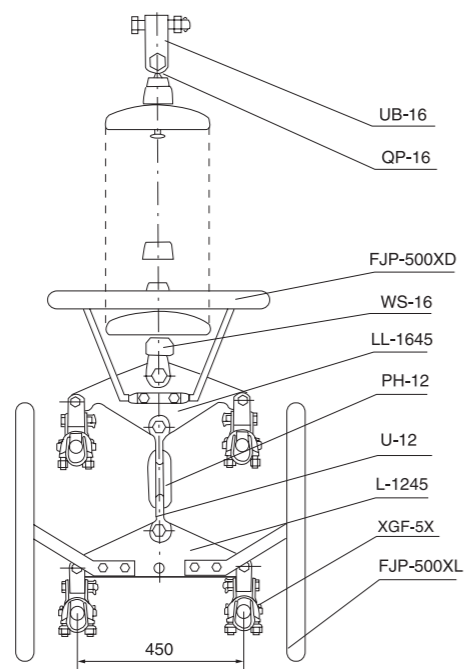
附录 9. 四分裂导线单联悬垂串 (小人联板)

Appendix9: Single Suspension String for Four-Bundle Conductor (Using Yoke Plate with Type LX)



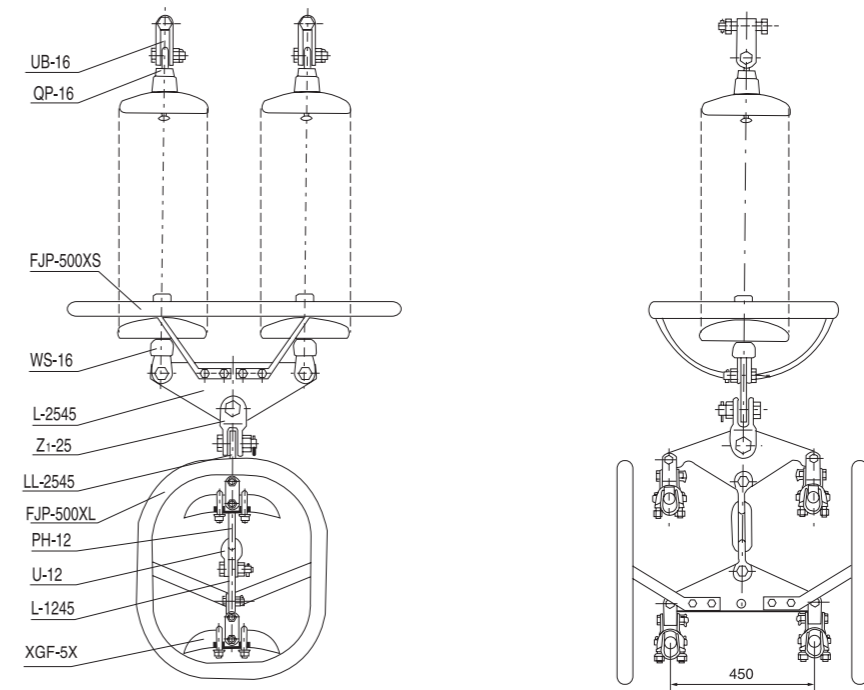
附录 10. 四分裂导线单联悬垂串 (组合联板)

Appendix10: Single Suspension String for Four-Bundle Conductor (Using Combined Yoke Plate)



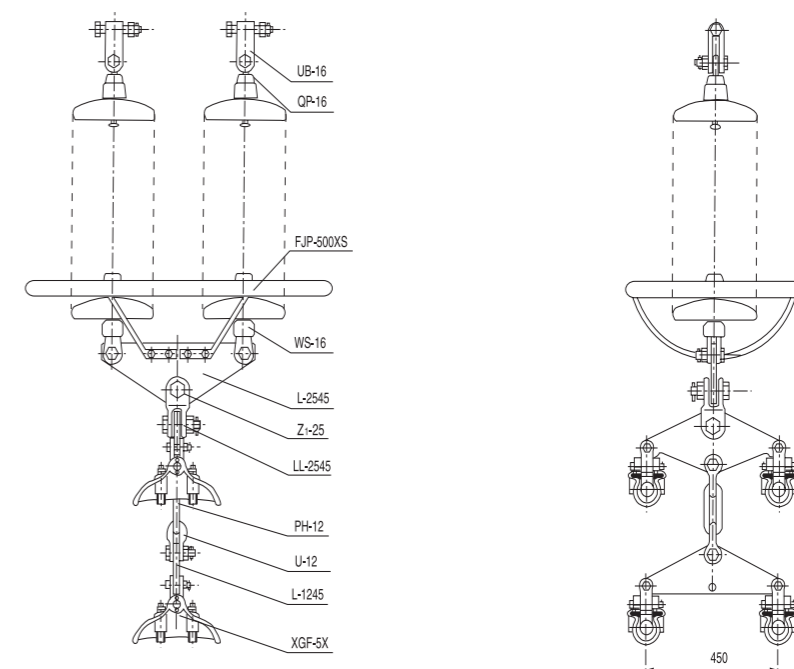
附录 11. 四分裂导线双联悬垂串

Appendix11: Double Suspension String for Four-Bundle Conductor



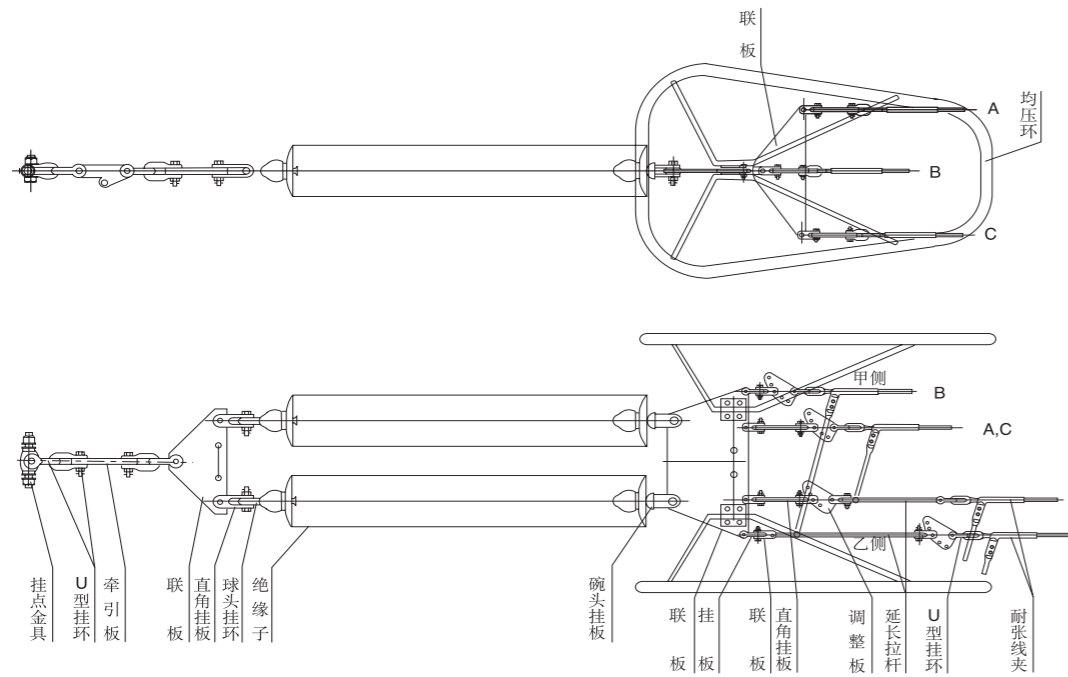
附录 12. 四分裂导线双联悬垂串 (防晕线夹)

Appendix12: Double Suspension String for Four-Bundle Conductor (Corona-proof Clamp)



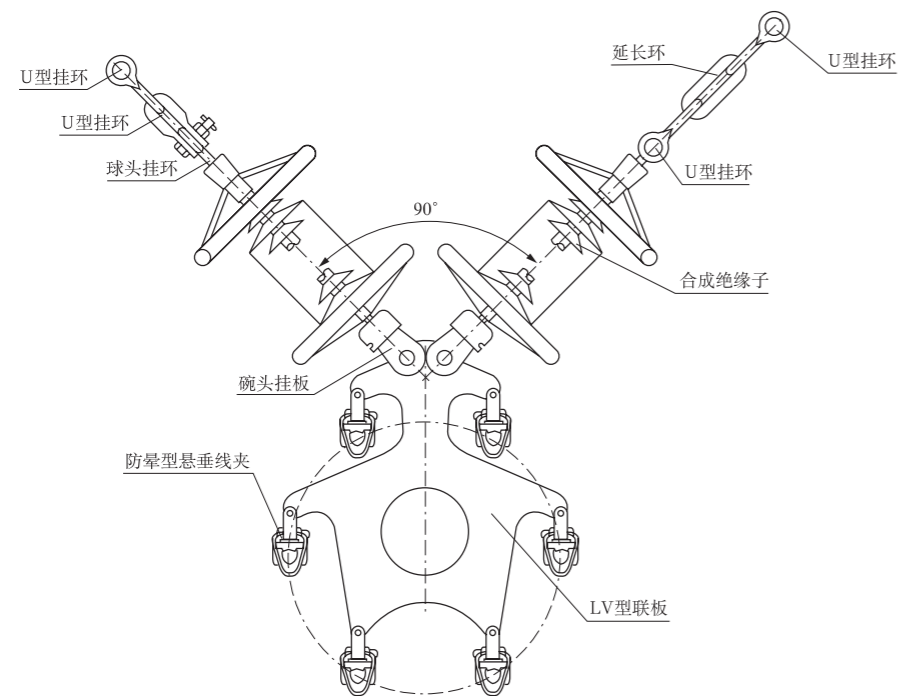
附录 13. 500kV 六分裂导线双联耐张串 (紧凑型)

Appendix13: Two Strain Strings for Six-Conductor (For 500kV Compact Lines)



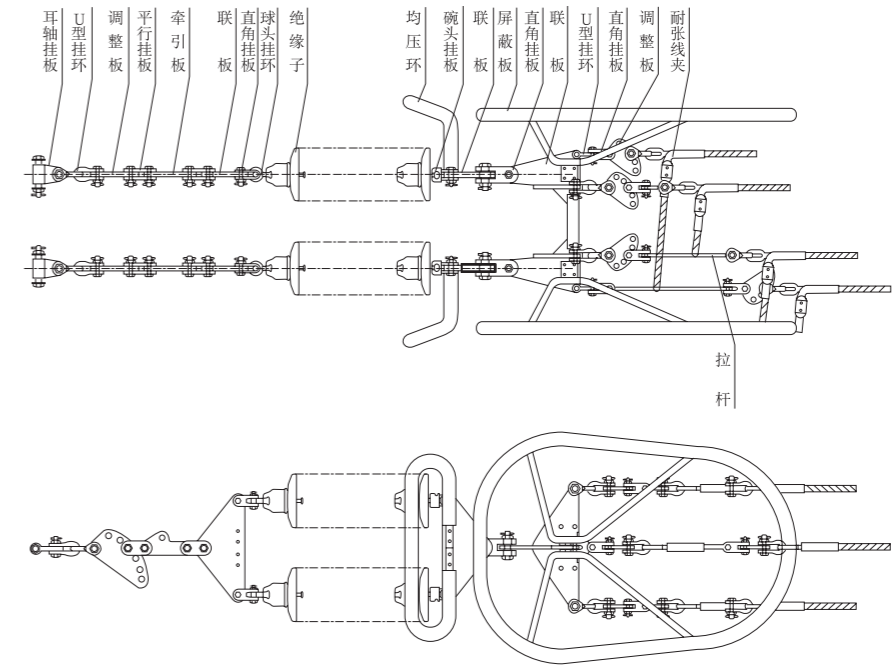
附录 14. 500kV 六分裂导线 V 型串 (紧凑型)

Appendix14: Six Conductor-Single V-Strings (For 500kV Compact Lines)



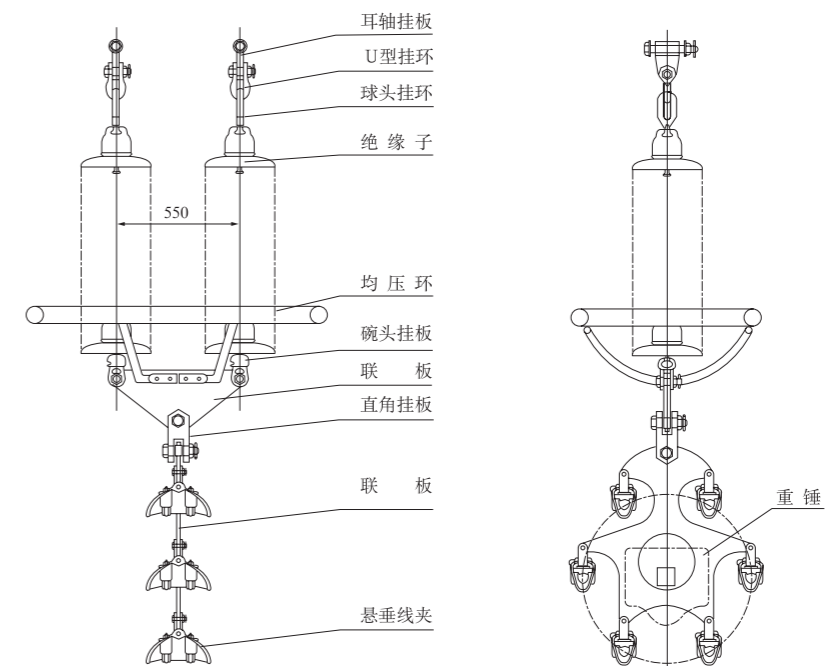
附录 15. 750kV 六分裂导线四联耐张串图

Appendix15: Four Strain Strings for Six-Conductor (For 750kV Lines)



附录 16. 750kV 六分裂导线悬垂双 I 串图

Appendix16: Double Suspension String for Six-Bundle Conductor (For 750kV Lines)



附录 17. 钢芯铝绞线(LGJ.LGJF)的结构与技术指标 GB1179-83

Appendix17: Structure and Technical Index for ASCR(LGJ.LGJF):GB1179-83

标称截面 (毫米 ²) 铝 / 钢 Rated Section Area (mm ²) Al./St.	结构根数 / 直径 (毫米) Strand No./Dia (mm)		计算截面 (毫米 ²) Calculated Section Area (mm ²)			外径 (毫米) Outer Dia. (mm)	直流电阻不大于 (欧姆 / 公里) D.C. Resistance Not more than (Ω/KM)	计算拉断力 (牛顿) Calculated Failure Load (N)	计算重量 (公斤 / 公里) Calculated Weight (kg/KM)	交货长度 不小于(米) Delivery length not less than (m)
	铝 Al.	钢 St.	铝 Al.	钢 St.	总计 Total					
10/2	6/1.50	1/1.50	10.60	1.77	12.37	4.50	2.706	4120	42.9	3000
16/3	6/1.85	1/1.85	16.13	2.69	18.82	5.55	1.779	6130	65.2	3000
25/4	6/2.32	1/2.32	25.36	4.23	29.59	6.96	1.131	9290	102.6	3000
35/6	6/2.72	1/2.72	34.86	5.81	40.67	8.16	0.8230	12630	141.0	3000
50/8	6/3.20	1/3.20	48.25	8.04	56.29	9.60	0.5946	16870	195.1	2000
50/30	12/2.32	7/2.32	50.73	29.59	80.32	11.60	0.5692	42620	372.0	3000
70/10	6/3.80	1/3.80	68.05	11.34	79.39	11.40	0.4217	23390	275.2	2000
70/40	12/2.72	7/2.72	69.73	40.67	110.40	13.60	0.4141	58300	511.3	2000
95/15	26/2.15	7/1.67	94.39	15.33	109.72	13.61	0.3058	35000	380.8	2000
95/20	7/1.85	7/1.85	95.14	18.82	113.96	13.87	0.3019	37200	408.9	2000
95/55	12/3.20	7/3.20	96.51	56.30	152.81	16.00	0.2992	78110	707.7	2000
120/7	18/2.90	1/2.90	118.89	6.61	125.50	14.50	0.2422	27570	379.0	2000
120/20	26/2.38	7/1.85	115.67	18.82	134.49	15.07	0.2496	41000	466.8	2000
120/25	7/4.72	7/2.10	122.48	24.25	149.73	15.74	0.2345	47880	526.6	2000
120/70	12/3.60	7/3.60	122.15	71.25	193.40	18.00	0.2364	98370	895.6	2000
150/8	18/3.20	1/3.20	144.76	8.04	152.80	16.00	0.1989	32860	461.4	2000
150/20	24/2.78	7/1.85	145.68	18.84	164.50	16.67	0.1980	46630	549.4	2000
150/25	26/2.70	7/2.10	148.86	24.25	173.11	17.10	0.1939	54110	601.0	2000
150/35	30/2.50	7/2.50	147.26	34.36	181.62	17.50	0.1962	65020	676.2	2000
185/10	18/3.60	1/3.60	183.22	10.18	193.40	18.00	0.1572	40880	584.0	2000
185/25	24/3.15	7/2.10	187.01	24.25	211.29	18.90	0.1542	59420	706.1	2000
185/30	26/2.98	7/2.32	181.34	29.59	201.93	18.88	0.1592	64320	732.6	2000
185/45	30/2.80	7/2.80	184.73	43.10	227.83	19.60	0.1564	80190	848.2	2000
210/10	18/3.80	1/3.80	204.14	11.34	215.48	19.00	0.1411	45140	650.7	2000
210/25	24/3.33	7/2.22	209.02	27.10	236.12	19.98	0.1380	65990	789.1	2000
210/35	26/3.22	7/2.50	211.73	34.36	246.09	20.38	0.1363	74250	853.9	2000
210/50	30/2.98	7/2.98	209.24	48.82	258.06	20.86	0.1381	90830	960.8	2000
240/30	24/3.60	7/2.40	244.29	31.67	275.96	21.60	0.1181	75620	922.2	2000
240/40	26/3.42	7/2.66	238.85	38.90	277.75	21.66	0.1209	83370	964.3	2000
240/55	30/3.20	7/3.20	241.27	56.30	297.57	22.40	0.1198	102100	1108	2000
300/15	42/3.00	7/1.67	296.88	15.33	312.21	23.01	0.09724	68060	939.8	2000
300/20	45/2.93	7/1.95	303.42	20.91	324.33	23.43	0.09520	75680	1002	2000
300/25	48/2.85	7/2.22	306.21	27.10	333.31	23.76	0.09433	83410	1058	2000
300/40	24/3.99	7/2.66	300.09	38.90	338.99	23.94	0.09614	92220	1133	2000
300/50	26/3.83	7/2.98	299.54	48.82	348.36	24.26	0.09636	103400	1210	2000
300/70	30/3.60	7/3.60	305.36	71.25	376.61	25.20	0.09463	128000	1402	2000
400/20	42/3.51	7/1.95	406.40	20.91	427.31	26.91	0.07104	88850	1286	1500
400/25	45/3.33	7/2.22	391.91	27.10	419.01	26.64	0.07370	95940	1295	1500
400/35	48/3.22	7/2.50	390.88	34.36	425.24	26.82	0.07389	103900	1349	1500
400/50	54/3.07	7/3.07	399.73	51.82	451.55	27.63	0.07232	123400	1511	1500
400/65	26/4.42	7/3.44	398.94	65.06	464.00	28.00	0.07236	135200	1611	1500
400/95	30/4.16	19/2.50	407.75	93.27	501.02	29.14	0.07087	171300	1860	1500
500/35	45/3.75	7/2.50	497.01	34.36	531.37	30.00	0.05812	119500	1642	1500
500/45	48/3.60	7/2.80	488.58	43.10	531.68	30.00	0.05912	128100	1688	1500
500/65	54/3.44	7/3.44	501.88	65.06	566.94	30.96	0.05760	154000	1897	1500
630/45	45/4.20	7/2.80	623.45	43.10	666.55	33.60	0.04633	148700	2006	1200
630/55	48/4.12	7/3.20	639.92	56.30	696.22	34.32	0.04514	164400	2209	1200
630/80	54/3.87	19/2.30	635.19	80.32	715.51	34.82	0.04551	192900	2388	1200
800/55	45/4.80	7/3.20	814.30	56.30	870.60	38.40	0.03547	191500	2690	1000
800/70	48/4.63	7/3.60	808.15	71.25	879.40	8.58	0.03574	207000	2791	1000
800/100	54/4.33	19/2.60	795.17	100.88	896.05	38.98	0.03635	241100	2991	1000

附录 18. 镀锌钢绞线的结构与技术指标 YB/T5004-93

Appendix18: Structure and Technical Index for Galvanized Steel Strand: YB/T5004-93

结构 Structure	钢丝直径 Steel Wire Dia. (mm)	钢绞线直径 Steel Strand Dia. (mm)	钢绞线 截面积 Section Area of Steel Wire (mm ²)	公称抗拉强度 Rated Pulling-Resistance Strength(N/mm ²)					参考重量 Reference Weight (kg/100m)
				1175	1270	1370	1470	1570	
1 × 3	2.9	6.2	19.82	23.29	25.17	27.15	29.14	31.12	15.99
	3.20	6.4	24.13	28.35	30.65	33.06	35.47	37.88	19.47
	3.50	7.5	28.86	33.91	36.65	39.54	42.43	45.31	23.29
	4.00	8.6	37.70	44.30	47.88	51.65	55.42	59.19	30.42
1 × 7	1.00	3.0	5.50	6.46	6.98	7.54	8.08	8.64	4.37
	1.20	3.6	7.92	9.31	10.06	10.85	11.64	12.43	6.29
	1.40	4.2	10.78	12.67	13.69	14.77	15.85	16.92	8.56
	1.60	4.8	14.07	16.53	17.87	19.28	20.68	22.09	11.17
	1.80	5.4	17.81	20.93	22.62	24.40	26.18	27.96	14.14
	2.00	6.0	21.99	25.84	29.73	30.13	32.32	34.52	17.46
	2.30	6.9	29.08	34.17	36.93	39.84	42.75	45.66	23.09
	2.60	7.8	37.17	43.60	47.20	50.92	54.63	58.35	29.51
	2.90	8.7	46.24	54.33	58.72	63.35	67.97	72.60	36.71
	3.20	9.6	56.30	66.15	71.50	77.13	82.76	88.39	44.70
	3.50	10.5	67.35	79.14	85.85	92.27	99.00	105.74	53.48
	3.80	11.4	79.39	93.28	100.82	108.76	116.70	124.64	63.04
	4.00	12.0	87.96	103.35	111.71	120.50	129.30	138.10	69.84
	1 × 19	1.60	8.0	38.20	44.88	48.51	52.33	56.15	59.97
1.80		9.0	48.35	56.81	61.40	66.24	71.07	75.91	38.49
2.00		10.0	59.69	70.14	75.81	81.78	87.74	93.71	47.51
2.30		11.5	78.94	92.75	100.25	108.15	116.04	123.94	62.84
2.60		13.0	100.88	118.53	128.12	138.20	148.29	158.38	80.30
2.90		14.5	125.50	147.46	159.38	171.93	184.48	197.03	99.90
3.20		16.0	152.81	179.55	194.06	209.35	224.63	239.91	121.64
3.50		17.5	182.80	214.79	232.16	20.44	268.72	287.00	145.51
4.00	20.0	238.76	280.54	303.23	327.10	350.98	374.86	190.05	

附录 19. 镀锌钢绞线(GJ)的结构与技术指标 GB1200-75

Appendix19: Structure and Technical Index for Galvanized Steel Strand: GB1200-75

直径 Diameter(mm)		全部钢丝 断面积 Total Area (mm ²)	参考重量 Reference weight (kg/100m)	公称抗拉强度 Rated Pulling-Resistance Strength(kg/mm ²)				
钢绞线 Steel strand	钢丝/根数 Steel Wire/Strand Number			110	125	140	155	170
				钢丝破断拉力总和, kg 不小于 Sum of Failure Load of Steel wire not less than (kg)				
8.4	2.8/7	43.08	36.86	4730	5380	6030	6670	-
9.0	3.0/7	49.46	42.37	5440	6180	6920	7660	-
9.6	3.2/7	56.27	48.18	6180	7030	7870	-	-
10.58	3.6/7	67.31	57.65	7400	8410	-	-	-
11.4	3.8/7	79.35	67.96	8730	9910	-	-	-
12.0	4.0/7	87.92	75.33	9670	10990	-	-	-
5.0	1.0/19	14.92	12.70	1640	1860	2080	2310	2530
5.5	1.1/19	18.05	15.37	1980	2250	2520	2790	3060
6.0	1.2/19	21.48	18.29	2360	2680	3000	3320	3650
6.5	1.3/19	25.21	21.47	2770	3150	3520	3900	4280
7.0	1.4/19	29.23	24.92	3210	3650	4090	4530	4960
9.0	1.8/19	48.32	41.11	5310	6040	6760	7480	8210
10.0	2.0/19	59.66	50.82	6560	7450	8350	9240	10100
11.0	2.2/19	72.19	61.50	7940	9020	10100	11150	12250
12.0	2.4/19	85.19	73.15	9450	10730	12000	13300	14600
12.5	2.5/19	93.22	79.45	10250	11650	13050	14440	15840
13.0	2.6/19	100.83	85.94	11050	12600	14100	15600	17100
14.0	2.8/19	116.93	99.50	12850	14160	16350	18100	-
15.0	3.0/19	134.24	114.40	14750	16780	18750	20800	-
7.0	1.0/37	29.05	24.60	3190	3630	4060	4500	4930
7.7	1.1/37	35.14	29.75	3860	4390	4910	5440	5970
9.1	1.3/37	49.08	41.53	5390	6130	6870	7600	8340
9.8	1.4/37	56.93	48.17	6260	7110	7970	8820	9670
12.6	1.8/37	94.11	79.39	10350	11760	13150	14580	15950
14.0	2.0/37	116.18	98.10	12750	14520	16250	18000	19750
15.5	2.2/37	140.58	118.70	15450	18970	19650	21750	23850
16.8	2.4/37	167.30	141.10	18400	20910	23400	25930	28400
17.5	2.5/37	181.53	152.90	19950	22690	25400	28130	30860
18.2	2.6/37	196.34	165.80	21550	24540	27450	30430	33350

附录 20. (防腐)58% (60%) IACS 耐热铝合金钢芯绞线结构与技术指标
(NRLH₅₈GJ、NRLH₆₀GJ、NRLH₅₈GJF、NRLH₆₀GJF 型)

Appendix20: TABLE OF TECHNOLOGICAL OF IACS(TYPE NRLH₅₈GJ、NRLH₆₀GJ、NRLH₅₈GJF、NRLH₆₀GJF)

标称截面 Nominal Area (mm ²) 铝/钢 Al/Steel	结构(根数/直径) Stranding & Wire Dia (mm)		计算 外径 Calculated Dia (mm)	20℃ 58%IACS 直流电阻 不大于(Ω/km) 20℃ D.C. Resistance	计算拉 断力 Calculated Breaking Load (kN)	计算 重量 weight (kg/km) 4928	参考载流量 A Rated Current		
	铝 Al	钢 Steel					90℃	110℃	150℃
50/8	6/3.2	1/3.20	9.60	0.6254	16200	195	216	256	326
70/10	6/3.80	1/3.80	11.40	0.4435	22850	275	256	317	407
70/40	12/2.72	7/2.72	13.60	0.4356	57230	511	249	303	401
95/20	7/4.16	7/1.85	13.87	0.3176	36040	409	295	355	490
95/55	12/3.20	7/3.20	16.00	0.3147	76760	708	298	365	498
120/7	18/2.90	1/2.90	14.50	0.2547	26180	379	337	469	594
120/25	7/4.72	7/2.10	15.74	0.2467	46420	527	335	467	591
120/70	12/3.60	7/3.60	18.00	0.2486	97150	896	383	410	570
150/8	18/3.20	1/3.20	16.00	0.2092	30870	461	438	533	676
150/20	24/2.78	7/1.85	16.67	0.2083	44920	549	452	550	699
185/10	18/3.60	1/3.60	18.00	0.1653	39070	584	508	620	789
185/25	24/3.15	7/2.10	18.90	0.1622	56850	706	510	623	792
185/30	26/2.98	7/2.32	18.88	0.1674	62140	733	512	625	796
210/10	18/3.80	1/3.80	19.00	0.1484	43530	651	545	664	847
210/25	24/3.33	7/2.22	19.98	0.1452	63530	789	555	676	863
210/35	26/3.22	7/2.50	20.38	0.1434	71280	854	565	690	882
210/50	30/2.98	7/2.98	20.86	0.1452	88400	961	570	695	887
240/30	24/3.60	7/2.40	21.60	0.1242	73170	922	613	756	967
240/40	26/3.42	7/2.66	21.66	0.1271	80570	964	610	746	956
240/55	30/3.20	7/3.20	22.40	0.1260	98770	1108	612	758	969
300/15	42/3.00	7/1.67	23.01	0.10230	64570	940	695	848	1082
300/20	45/2.93	7/1.95	23.43	0.10012	72140	1002	697	850	1084
300/25	48/2.85	7/2.22	23.76	0.09920	79830	1058	698	851	1085
300/40	24/3.99	7/2.66	23.94	0.10111	89880	1133	700	858	1090
300/50	26/3.83	7/2.98	24.26	0.10135	101000	1210	702	861	1105
300/70	30/3.60	7/3.60	25.20	0.09952	125000	1402	718	882	1134
400/20	42/3.51	7/1.95	26.91	0.07471	86270	1286	816	998	1275
400/25	45/3.33	7/2.22	26.64	0.07751	90410	1295	817	999	1276
400/35	48/3.22	7/2.50	26.82	0.07772	98510	1349	819	998	1270
400/50	54/3.07	7/3.07	27.63	0.07606	117900	1511	821	998	1269
400/65	26/4.42	7/3.44	28.00	0.07610	130400	1611	826	1015	1270
400/95	30/4.16	19/2.50	29.14	0.07453	166000	1860	863	1065	1374
500/35	45/3.75	7/2.50	30.00	0.06112	114600	1642	944	1156	1481
500/45	48/3.60	7/2.80	30.00	0.06218	123300	1688	948	1157	1480
500/65	54/3.44	7/3.44	30.96	0.06058	148000	1897	950	1159	1478
630/45	45/4.20	7/2.80	33.60	0.04873	140600	2060	1083	1325	1701
630/55	48/4.12	7/3.20	34.32	0.04747	156100	2209	1088	1328	1700
630/80	54/3.87	19/2.32	34.82	0.04786	187900	2386	1091	1331	1698
800/55	45/4.80	7/3.20	38.40	0.03731	181800	2690	1268	1559	2012
800/70	48/4.63	7/3.60	38.58	0.03759	197300	2791	1265	1557	2010
800/100	54/4.33	19/2.6	38.98	0.03823	231600	2991	1251	1508	1933
1000/125	54/4.84	19/2.9	43.54	0.03060	288800	3733	1432	1744	2230
1440/120	84/4.67	19/2.8	51.36	0.02114	344600	4898	1871	2352	3093

注: ① NRLH₆₀GJ 绞线电阻为同截面 NRLH₅₈GJ 电阻除以 1.03449。

② NRLH₅₈GJ、NRLH₆₀GJ 型的计算重量, 应在相同规格值中增加防腐涂层的重量, 其增值为: 钢芯涂防腐涂层者增加 2%, 内部铝钢各层涂防腐涂层者增加 5%。

③ 60%IACS 的载流量为相同规格 58%IACS 的载流量的 1.0171 倍。

REFERENCE LIST OF INTERNATIONAL MARKET

重点业绩

Jordan

SAMRA-AMMAN NORTH 400kV OVER HEAD TRANSMISSION LINE

Vietnam

220kV GIS TAO DAN SABSTATION AND 220kV NHA BE-TAO DAN TRANSMISSION LINE PROJECT

110kV LONG THO-HOA BINH TRANSMISSION LINE

380kV GIAO THUY TRANSMISSION LINE

BAN LA-VINH 220kV TRANSMISSION LINE

220kV LAOCAI S/S AND ASSOCIATED T/L-LAOCAI PROVINCE

500kV Son LA SABSTATION

South Africa

IDWALA 132kV TRANSMISSION LIN

ESKOM CROYDON-132kV

Indonesia

PAKET 29 JBN 150kV

1 × 660MW CIREBON COAL FIRED POWER PLANT

PACKAGE 28/47 SUMBAGSEL 150kV

PLTU2 JAWA TIMUR(PAITON) PROJECT 150/500kV

India

220kV MYSORE SUBSTATION TRANSMISSION LINE PROJECT

Uzbekistan

SYRDARYA-SOGDIANA 500kV T/L PROJECT

Turkey

ARAMCO/SCECO 380kV POWER LINE

Morocco

Oualili-Bourdim 400kV

Chili

Chilean Alma Project 110kV

New Zealand

TE UKU WINDFARM(WESTERN NETWORK UPGRADE)

★国家级干线、500kV 级以上超高压线路 OPGW 光缆金具

武汉高压研究院 1000kV 特高压交流试验基地试验段	3.5 公里
± 800kV 直流特高压试验基地	4.5 公里
向家坝~上海 ± 800kV 特高压直流输电工程	1907.5 公里
新疆 750kV 乌鲁木齐~吐鲁番~哈密输电线路工程	580 公里
750kV 兰州东~平凉~乾县送电线路工程	442 公里
750kV 拉西瓦~官亭输电线路工程	195.775 公里
750kV 拉西瓦~西宁输电线路工程	84.637 公里
500kV 交流施秉至贤令山输变电工程	423.31 公里
500kV 德宏至博尚 I 回线路工程	274.297 公里
东北霍林河~通辽~沙岭 500kV 输电线路工程	266.649 公里
滇南外送通道 500kV 输变电工程	243.609 公里

★ 330kV 高压线路 OPGW 光缆金具

330kV 多合至临洮送电线路工程	179.332 公里
武都~天水 330kV 送电线路工程(武都一天水)	167.476 公里
330kV 天水变~成县变光纤通信工程	116.774 公里
兰州张~兰~东 330kV 光纤通信工程	106.940 公里

★ 220kV 高压线路 OPGW 光缆金具

220kV 姚湖至包庄送电线路	127.18 公里
棉花滩至旧县开断进集贤 220kV OPGW 光工程	123.061 公里
张家口万全至张北 II 回、万全至宣西 220kV 等工程	117.73 公里
贵州铜仁 500kV 变~思南变 220kV 双回线路工程	105.35 公里

★ 大跨越线路 OPGW 光缆金具

九江至湖口 500kV 输电线路工程(大跨越)	7.5 公里
500kV 莆田 LNG 电厂~莆田变 I、II 回线路工程(湄洲湾大跨越段)	6.68 公里
襄樊电厂至樊城变 500kV 送电线路刘集(汉江)大跨越工程	5.2 公里
抚州至罗坊 500kV 输电线路新建工程(赣江大跨越)	4.2 公里
江西九江新港 220kV 线路工程	2.7 公里

★ OPPC 典型工程业绩

10kV 宁夏石嘴山 OPPC 工程	80 公里
河南信阳 35kV 邢吴线路工程	28 公里
河南定远 35kV 变电所	20 公里
110kV 东宝甲线 OPPC 工程	

★ 耐热增容导线金具和变电站金具工程业绩

750kV 宝乾线工程	
辽宁 500kV 白音华~赤峰~辽宁输变电工程	
500kV 江苏大唐吕四港电厂一期工程	
220kV 无锡石塘湾牵引站配套工程	
220kV 福州长坪至福州南牵引变线工程	
220kV 江苏东陇海铁路电气化潘家庵扩建工程	
220kV 红旗渠变电站工程	
220kV 亚江变~厂区总变线路工程	